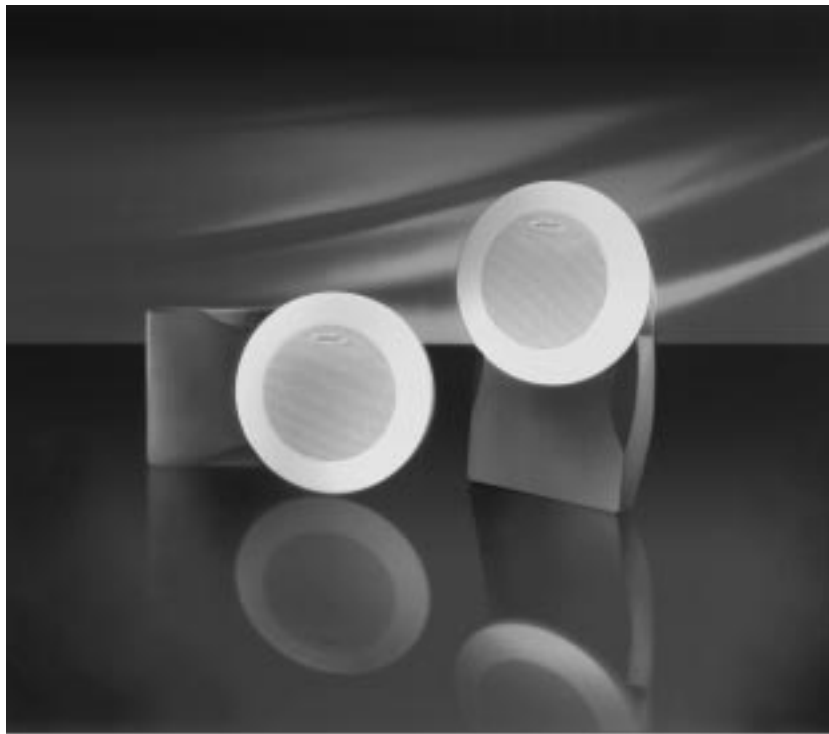


Bose[®] 131[™] Marine Loudspeaker System



Contents

Specifications	2
Disassembly/Assembly Procedure	3
Figure 1. Exploded View	3
Test Procedure	4
Part List Notes	5
Part List	6
Figure 2. Parts Exploded View	6

SPECIFICATIONS

External Dimensions:	Single Speaker:	30.5 x 16.5 x 12.7cm 12" x 6.5" x 5"
	Packed System:	35.5 x 30.5 x 19.7cm 14" x 12" x 7.75"
Weight:	Single Speaker:	1.8kg (4.0 LB)
	Packed System:	4.3kg (9.5 LB)
Transducer:	One 4.5" Driver	per Speaker
Internal Cabinet Volume:	2.65 Liters	
Impedance:	4 Ω nominal (3.2 Ω min)	20Hz - 20kHz
Resonance Frequency:	90Hz	
Power Handling:	40watts Continuous (per IEC-268-5)	
Sensitivity:	86dB SPL, Free-Field (per IEC-268-5)	1w, 1m

CAUTION: THE BOSE® 131™ LOUDSPEAKER CONTAINS NO USER-SERVICEABLE PARTS. TO PREVENT WARRANTY INFRACTIONS, REFER SERVICING TO WARRANTY SERVICE STATIONS OR FACTORY SERVICE.

PROPRIETARY INFORMATION

THIS DOCUMENT CONTAINS PROPRIETARY INFORMATION OF BOSE® CORPORATION WHICH IS BEING FURNISHED ONLY FOR THE PURPOSE OF SERVICING THE IDENTIFIED BOSE PRODUCT BY AN AUTHORIZED BOSE SERVICE CENTER OR OWNER OF THE BOSE PRODUCT, AND SHALL NOT BE REPRODUCED OR USED FOR ANY OTHER PURPOSE.

DISASSEMBLY/ASSEMBLY PROCEDURE

1. Driver Removal

Note: Numbers in parentheses correspond to the callouts in Figure 1.

1.1 Remove the three screws (3) that secure the driver to the enclosure (1).

1.2 Lift the driver (2) out of the enclosure.

1.3 Cut the two wires connected to the driver as close to the terminals as possible and remove the driver.

2. Driver Replacement

2.1 Connect the two wires to the driver's terminals. The red wire connects to the + terminal and the black wire connects to the - terminal.

2.2 Secure the driver (2) to the enclosure (1). Be sure to align the gasket to provide an airtight seal.

2.3 Check the driver's response using the test procedure in this manual.

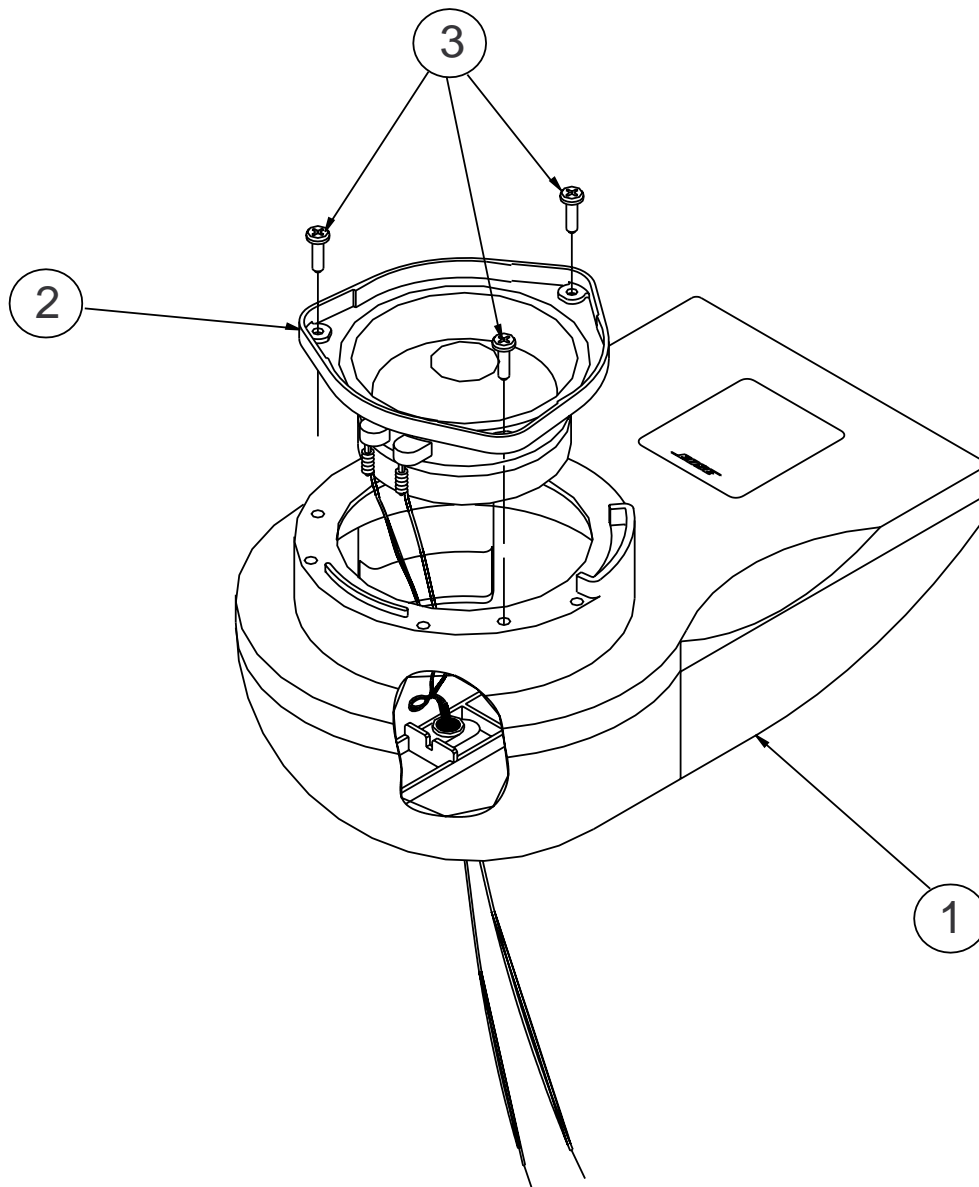


Figure 1. Exploded View

TEST PROCEDURE

1. Phase Test

1.1 Momentarily apply $13.3 \pm 1\text{Vdc}$ to the speaker input terminals. Observe polarity when connecting the dc power supply. The driver should move outward.

2. Air Leak Test

2.1 Apply a 6Vrms, 10-15Hz signal to the speaker input terminal.

2.2 Listen for air leaks around the driver and the enclosure. There should be no audible air leaks.

3. Rub and Tick Test

3.1 Apply a 6Vrms, 10Hz signal to the speaker input terminals.

3.2 No extraneous noise such as rubbing, scraping or ticking should be heard.

Note: To distinguish between normal suspension noise and rubs or ticks, displace the cone of the driver slightly with your fingers. If the noise can be made to go away or get worse, it's a rub or tick and the driver should be replaced. If the noise stays the same, it's normal suspension noise and it will not be heard with program material.

4. Power Sweep Test

4.1 Apply a 6Vrms, 10-15Hz signal to the speaker input terminals.

4.2 Sweep the speaker from 10Hz to 15kHz. The sweep rate shall be 3-5 seconds for increasing and decreasing sweep.

Note: A whooshing noise from the port at approximately 90Hz is acceptable.

4.3 Listen for any buzzes, rattles, or other extraneous noises. Replace any driver that fails, and redress any wires that might buzz.

PART LIST NOTES

1. This part might not be available from Customer Service. Approval from the Field Service Manager is required before ordering.
2. These items are part of an assembly and might not be available separately.
3. These items are part of the Lit Kit.
4. Grille assembly contains Item Numbers 8, and 9.

PART LIST

Item Number	Description	Qty	Part Number	Note
1	Enclosure, Ldspkr, Model 131™	2	188195-001	1
2	Driver Assy, 4.5"	2	135491-5	
2	Driver Gasket, 4.5"	1	128407	not shown
3	Screw, Tapp, 8-11x.75, pan, xrec	3	173556-12	
4	Bag, Poly, 18"x12"x2"	1	175352	
5	Carton, inner, Chipboard, 131	2	189730	
6	Hardware kit	1	188198	
7	Wire, 18/2 Zip Cord, BK, 20FT	2	130915	
8	Grill, 8" Diameter	2	188193-001	2
9	Flange, Mounting	2	188192-001	2
10	Packing, Insert,	1	190505-001	
11	Carton, Grill, Chipboard	1	189731	
12	Manual, Owners	1	188201	3
13	Brochure, All Products	1	188898	3
14	Card, Info, Warranty, U.S.	1	181357	3
15	Card, Info, Warranty, Muti Lang	1	181460	3
16	Sheet, Warranty Service Stations	1	187981	3
17	Bag, Poly, Lit Kit	1	103351	3
18	Carton, Model 131	1	189732-001	
19	Grille, Assy	1	188194	4

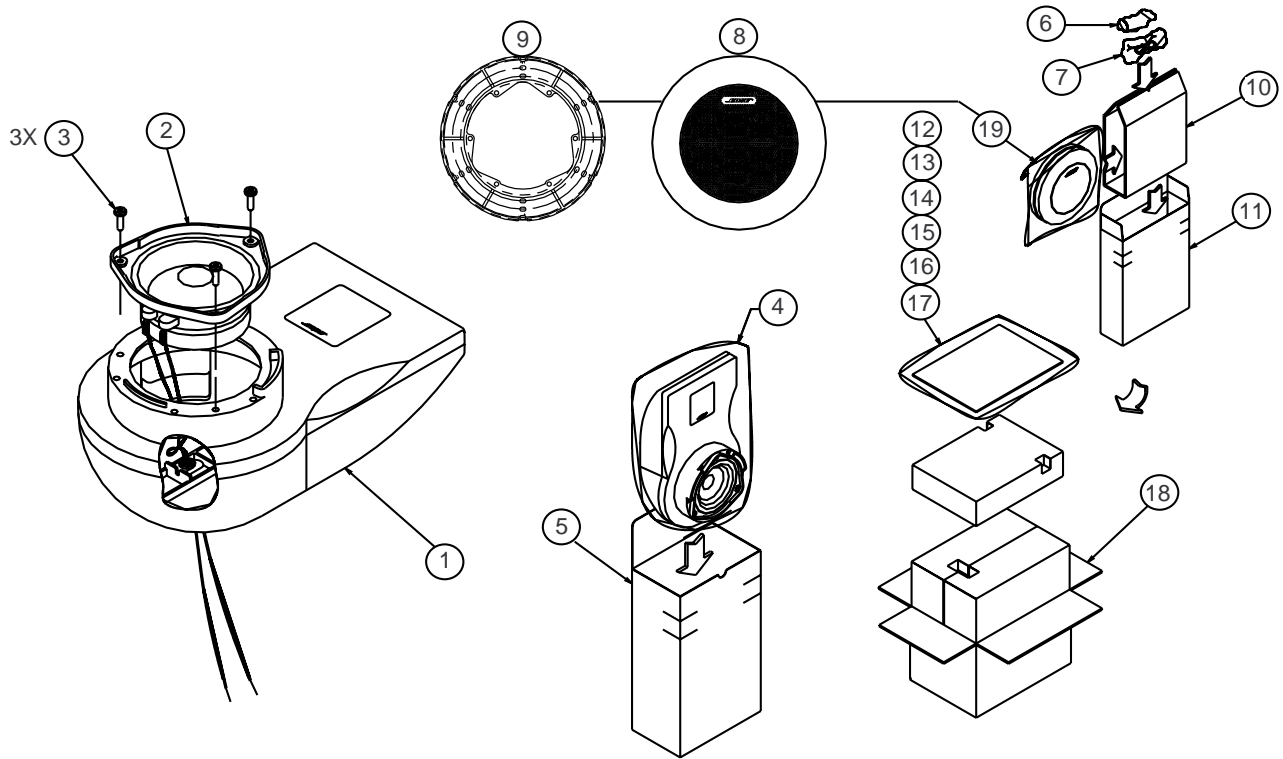


Figure 2. Parts Exploded View