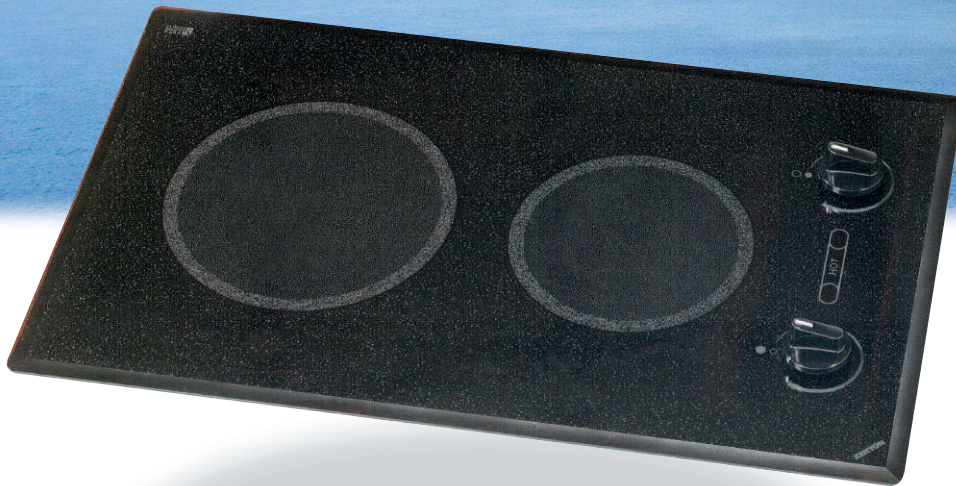


mediterranean



Influences of the finest galleys across the seas have produced the latest wave in cook top design, with sloped silhouettes that blend seamlessly into the countertop.



KENYON[®]
Custom

mediterranean

Subtly textured surface, beveled edged ceramic glass, may mount flush or proud

Two Burner Units

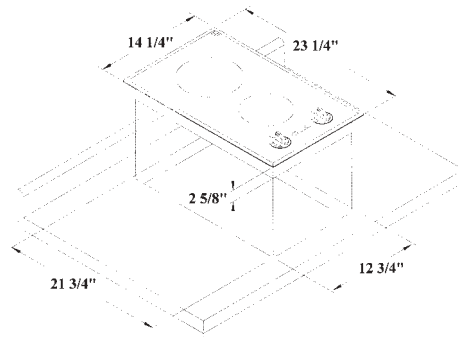
Model B41510

120 volt – 22 amp.,
1 – 6½" (165mm) @1200 watts
1 – 8" (200mm) @1400 watts

Model B41511

240 volt –12.5 amp.,
1 – 6½" (165mm) @1200 watts
1 – 8" (200mm) @1800 watts

Overall Dimensions: 23¼" x 14¼" x 2⅝"
590.6mm x 362mm x 66.7mm
Cutout Dimensions: 21¼" x 12¼" with ¼" radius
552.5mm x 323.9mm with 6.4 radius



Two Burner Trimline Units

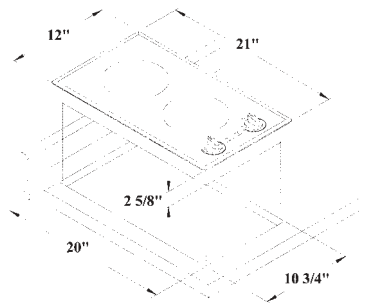
Model B41515

120 volt – 20 amp.,
2 – 6½" (165mm) @1200 watts each

Model B41516

240 volt – 10 amp.,
2 – 6½" (165mm) @1200 watts each

Overall Dimensions: 21" x 12" x 2⅝"
533.4mm x 304.8mm x 66.7mm
Cutout Dimensions: 20" x 10¾" with ¼" radius
508mm x 273mm with 6.4 radius



Single Burner Units

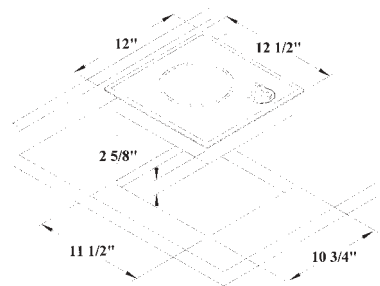
Model B41517

120 volt –10 amp.,
6½" (165mm) @1200 watts

Model B41518

240 volt – 5amp.,
6½" (165mm) @1200 watts

Overall Dimensions: 12½" x 12" x 2⅝"
317.5mm x 304.8mm x 66.7mm
Cutout Dimensions: 11½" x 10¾" with ¼" radius
292.1mm x 273mm with 6.4 radius



From the finest yacht galleys to your home, Kenyon Mediterranean series ceramic glass cook tops are the latest wave in cook top design...

Introducing the Mediterranean, a veritable sea of features with stylish muted graphics. Subtly textured black glass, beveled edge design, durable, and easy to clean, with safety features uniquely Kenyon. Both one and two burner models available in 120 or 240 volts, with push-to-turn controls, infinite heat control and quick-to-heat radiant ribbon elements. Safety features include heat limiting cooking surface protectors, an *On* indicator light for each burner, and a *Hot* burner indicator light. And as all Kenyon Custom products, backed by uncompromising quality and an exclusive 3-year replacement warranty.

KENYON[®]
Custom

Kenyon International
P.O. Box 925, Clinton, CT 06413
Tel: 860.664.4906
Fax: 860.664.4907
kenyonappliances.com



KENYON Custom logo, Lite-Touch, KISS, Electric KISS, Express and all related materials are trademarks of Kenyon International, Inc. ©2006 Kenyon International, Inc. All Rights Reserved. Specifications subject to change without notice. UL is a registered trademark of Underwriters Laboratory Inc. Printed in U.S.A. 4-2006