

SONY[®]

Sound Bar

Operating Instructions

US

Mode d'emploi

FR

Manual de instrucciones

ES

HT-CT370/CT770

Owner's Record

The model and serial numbers are located on the bottom of the Bar Speaker. Record the serial numbers in the space provided below. Refer to them whenever you call upon your Sony dealer regarding this product.

Model No. HT-CT370/CT770

Serial No. _____

WARNING

To reduce the risk of fire or electric shock, do not expose this apparatus to rain or moisture.

The unit is not disconnected from the mains as long as it is connected to the AC outlet, even if the unit itself has been turned off.

To reduce the risk of fire, do not cover the ventilation opening of the appliance with newspapers, tablecloths, curtains, etc.
Do not expose the appliance to naked flame sources (for example, lighted candles).

To reduce the risk of fire or electric shock, do not expose this appliance to dripping or splashing, and do not place objects filled with liquids, such as vases, on the appliance.

As the main plug is used to disconnect the unit from the mains, connect the unit to an easily accessible AC outlet. Should you notice an abnormality in the unit, disconnect the main plug from the AC outlet immediately.

Do not install the appliance in a confined space, such as a bookcase or built-in cabinet.

Do not expose batteries or appliances with battery-installed to excessive heat, such as sunshine and fire.

Indoor use only.

For the customers in the U.S.A



The Caution Marking is put on the Bottom Enclosure (For the Bar Speaker).



This symbol is intended to alert the user to the presence of uninsulated "dangerous voltage" within the product's enclosure that may be of sufficient magnitude to constitute a risk of electric shock to persons.



This symbol is intended to alert the user to the presence of important operating and maintenance (servicing) instructions in the literature accompanying the appliance.

For the Bar Speaker

The nameplate and the date of manufacture marking are located on the bottom.

Important Safety Instructions

- 1) Read these instructions.
- 2) Keep these instructions.
- 3) Heed all warnings.
- 4) Follow all instructions.
- 5) Do not use this apparatus near water.
- 6) Clean only with dry cloth.
- 7) Do not block any ventilation openings. Install in accordance with the manufacturer's instructions.
- 8) Do not install near any heat sources such as radiators, heat registers, stoves, or other apparatus (including amplifiers) that produce heat.
- 9) Do not defeat the safety purpose of the polarized or grounding-type plug. A polarized plug has two blades with one wider than the other. A grounding type plug has two blades and a third grounding prong. The wide blade or the third prong are provided for your safety. If the provided plug does not fit into your outlet, consult an electrician for replacement of the obsolete outlet.

- 10) Protect the power cord from being walked on or pinched particularly at plugs, convenience receptacles, and the point where they exit from the apparatus.
- 11) Only use attachments/accessories specified by the manufacturer.
- 12) Use only with the cart, stand, tripod, bracket, or table specified by the manufacturer, or sold with the apparatus. When a cart is used, use caution when moving the cart/apparatus combination to avoid injury from tip-over.



- 13) Unplug this apparatus during lightning storms or when unused for long periods of time.
- 14) Refer all servicing to qualified service personnel. Servicing is required when the apparatus has been damaged in any way, such as power-supply cord or plug is damaged, liquid has been spilled or objects have fallen into the apparatus, the apparatus has been exposed to rain or moisture, does not operate normally, or has been dropped.

The following FCC statement applies only to the version of this model manufactured for sale in the U.S.A. Other versions may not comply with FCC technical regulations.

NOTE:

This equipment has been tested and found to comply with the limits for a Class B digital device, pursuant to Part 15 of the FCC Rules. These limits are designed to provide reasonable protection against harmful interference in a residential installation. This equipment generates, uses and can radiate radio frequency energy and, if not installed and used in accordance with the instructions, may cause harmful interference to radio communications.

However, there is no guarantee that interference will not occur in a particular installation. If this equipment does cause harmful interference to radio or television reception, which can be determined by turning the equipment off and on, the user is encouraged to try to correct the interference by one or more of the following measures:

- Reorient or relocate the receiving antenna.

- Increase the separation between the equipment and receiver.
- Connect the equipment into an outlet on a circuit different from that to which the receiver is connected.
- Consult the dealer or an experienced radio/TV technician for help.

Properly shielded and grounded cables and connectors must be used for connection to host computers and/or peripherals in order to meet FCC emission limits.

CAUTION

You are cautioned that any changes or modifications not expressly approved in this manual could void your authority to operate this equipment.

This equipment must not be co-located or operated in conjunction with any other antenna or transmitter.

This equipment complies with FCC radiation exposure limits set forth for an uncontrolled environment and meets the FCC radio frequency (RF) Exposure Guidelines. This equipment has very low levels of RF energy that it deemed to comply without maximum permissive exposure evaluation (MPE). But it is desirable that it should be installed and operated keeping the radiator at least 20cm or more away from person's body (excluding extremities: hands, wrists, feet and ankles).

For the customers in the Canada

Properly shielded and grounded cables and connectors must be used for connection to host computers and/or peripherals.

This device complies with Industry Canada licence-exempt RSS standard(s).

Operation is subject to the following two conditions:

- (1) this device may not cause interference, and
- (2) this device must accept any interference, including interference that may cause undesired operation of the device.

This equipment complies with IC radiation exposure limits set forth for an uncontrolled environment and meets RSS-102 of the IC radio frequency (RF) Exposure rules.

continued

This equipment has very low levels of RF energy that it deemed to comply without maximum permissive exposure evaluation (MPE). But it is desirable that it should be installed and operated keeping the radiator at least 20cm or more away from person's body (excluding extremities: hands, wrists, feet and ankles).

Table of contents

Useful functions

Installing the Bar Speaker on a wall	6
Using the Control for HDMI function	8
Using "BRAVIA" Sync features	9
Controlling the system using a smartphone or tablet device (SongPal)	10
Adjusting the settings	12
Linking the system (LINK)	14

Miscellaneous

Precautions	15
BLUETOOTH wireless technology	17
Troubleshooting	18
Parts and controls	21
Specifications	27

Refer to the supplied Startup Guide for setup and basic operations.

Installing the Bar Speaker on a wall

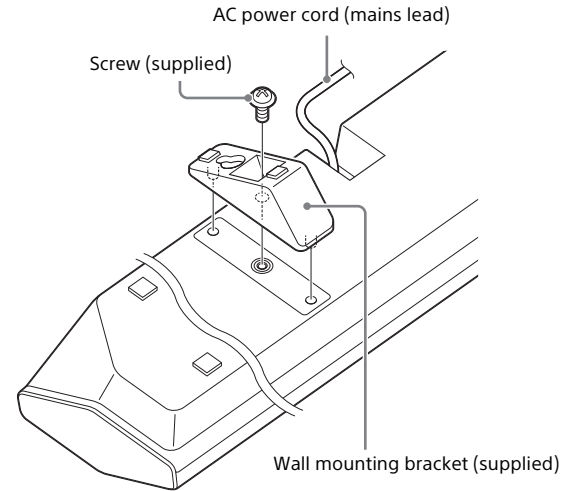
You can install the Bar Speaker on a wall.

Notes

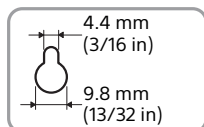
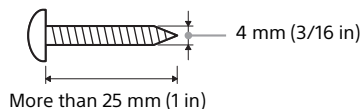
- Prepare screws (not supplied) that are suitable for the wall material and strength. As a plasterboard wall is especially fragile, attach the screws securely to two studs in the wall beam. Install the Bar Speaker horizontally, hung by screws in studs in a continuous flat section of the wall.
- Be sure to subcontract the installation to Sony dealers or licensed contractors and pay special attention to safety during the installation.
- Sony shall not be held responsible for accidents or damage caused by improper installation, insufficient wall strength, improper screw installation or natural calamity, etc.

- 1** Fix the supplied wall mounting brackets to the bracket fixing holes on the bottom of the Bar Speaker with the supplied screws so that the surface of each wall mounting bracket is as shown in the illustration.

Fix the two wall mounting brackets to the left and right fixing holes on the bottom of the Bar Speaker.



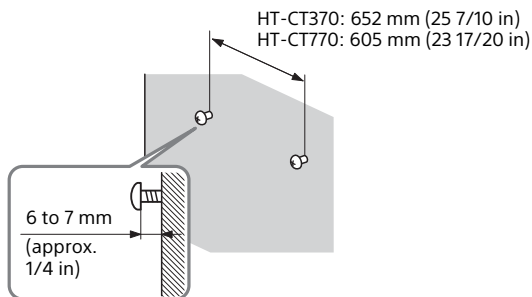
- 2 Prepare screws (not supplied) that are suitable for the holes on the back of the wall mounting brackets.**



Hole on the wall mounting bracket

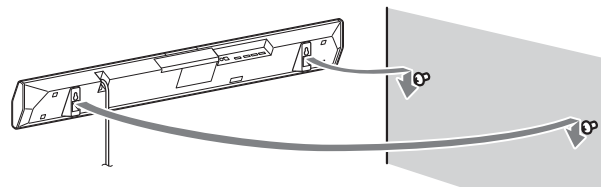
- 3 Fasten the screws to two studs in the wall.**

The screws should protrude 6 to 7 mm (approx. 1/4 in).



- 4 Hang the wall mounting brackets fixed on the Bar Speaker on the screws.**

Align the holes in the wall mounting brackets with the screws, then hang the Bar Speaker on the two screws.



Tip

The Bar Speaker automatically detects whether it is mounted on a wall or positioned flat, and it optimizes the sound for its orientation.

Using the Control for HDMI function

By using the Control for HDMI function, and connecting equipment that is compatible with the Control for HDMI function via a High Speed HDMI cable, operation is simplified with the features below. The Control for HDMI function is enabled by setting "CTRL (Control for HDMI)" to "ON" (page 13). The default setting is "ON."

System Power Off

When you turn off the TV, the system and the connected equipment will turn off automatically.

System Audio Control

If you turn on the system while you are watching the TV, the TV sound will be output from the speakers of the system automatically. The volume of the system will be adjusted when you adjust the volume using the TV's remote control.

If the TV sound was output from the speakers of the system the last time you watched the TV, the system will be turned on automatically when you turn on the TV again.

Audio Return Channel (ARC)

If the TV is compatible with the Audio Return Channel (ARC) technology, a High Speed HDMI cable connection will also allow sending digital audio signals from the TV to the system. You do not need to make a separate audio connection for listening to TV sound from the system.

The ARC function is enabled by setting "ARC (Audio return channel)" to "ON" (page 13). The default setting is "ON."

One-Touch Play

When you activate the equipment (Blu-ray Disc™ player, "PlayStation®4," etc.) connected to the system with a High Speed HDMI cable, the connected TV is turned on automatically and the input signal of the system is switched to the appropriate HDMI input.

Notes

- The above features may not operate with certain equipment.
- Depending on the settings of the connected equipment, the Control for HDMI function may not work correctly. Refer to the operating instructions of the equipment.

Using "BRAVIA" Sync features

The original Sony functions listed below can also be used with products that are compatible with "BRAVIA" Sync.

Power save

If a "BRAVIA" Sync-compatible TV is connected to the system, the power consumption will be reduced in standby mode by stopping HDMI signal transmission when the TV is turned off with the pass-through function* of the system set to "AUTO" (page 13).

The default setting is "AUTO."

If any TV other than "BRAVIA" is connected, set the item to "ON" (page 13).

* The pass-through function for HDMI signals is used to output the signals from the HDMI OUT jack of this system even if it is in standby mode.

Notes on HDMI connections

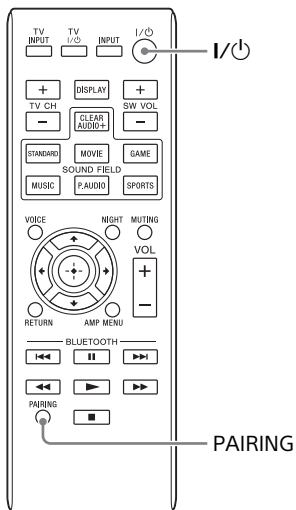
- Use a High Speed HDMI cable. If you use a Standard HDMI cable, 1080p, Deep Color, 3D, and 4K images may not be displayed properly.
- Use an HDMI-authorized cable.
Use a Sony High Speed HDMI cable with the Cable Type Logo.
- We do not recommend using an HDMI-DVI conversion cable.
- Check the setup of the connected equipment if an image is poor or the sound does not come out of the equipment connected via the HDMI cable.
- Audio signals (sampling frequency, bit length, etc.) transmitted from an HDMI jack may be suppressed by the connected equipment.
- Sound may be interrupted when the sampling frequency or the number of channels of audio output signals from the playback equipment is switched.

- If the connected equipment is not compatible with copyright-protection technology (HDCP), the image and/or the sound from the HDMI OUT jack of this system may be distorted or may not be output. In such a case, check the specifications of the connected equipment.
- When "TV" is selected as the input source of the system, video signals via one of the HDMI IN 1/2/3 jacks selected last time are output from the HDMI OUT jack.
- This system supports Deep Color, "x.v.Color," 3D, and 4K transmission.
- To enjoy 3D images, connect a 3D-compatible TV and video equipment (Blu-ray Disc player, "PlayStation®4," etc.) to the system using High Speed HDMI cables, put on 3D glasses, and then play back a 3D-compatible Blu-ray Disc, etc.
- To enjoy 4K images, the TV and players that are connected to the system must be compatible with 4K images.

Controlling the system using a smartphone or tablet device (SongPal)

"SongPal" is the application to operate the system with your smartphone or tablet, etc.

"SongPal" is available from either Google Play™ or App Store. This function is enabled by setting "BT PWR (BLUETOOTH power)" to "ON" (page 13). The default setting is "ON."



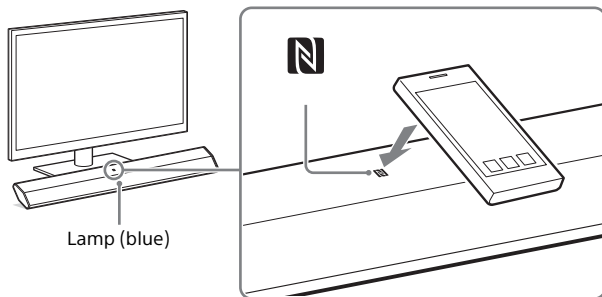
When using an Android™ device

- 1 Press the I/O (on/standby) button on the remote control.**
The display of the Bar Speaker lights.
- 2 Search for "SongPal" with the Android device and download that application.**
- 3 Run "SongPal" then follow the on-screen instructions.**
- 4 After the BLUETOOTH connection display appears on the Android device, press the PAIRING button on the remote control.**
The lamp (blue) flashes quickly during BLUETOOTH pairing.
- 5 Select "SONY:HT-CT370" or "SONY:HT-CT770" from the BLUETOOTH device list of the Android device.**
When the connection has been established, the lamp (blue) of the Bar Speaker lights.
- 6 Operate the system with the display of the connected Android device.**

One-Touch connection using the Android device with the NFC function built-in (NFC)

- 1 Perform steps 1 to 3 of “When using an Android device.”
- 2 After the BLUETOOTH connection display appears on the Android device, touch the Android device with the N mark of the Bar Speaker.

When the connection has been established, the lamp (blue) of the Bar Speaker lights.



- 3 Operate the system with the display of the Android device.

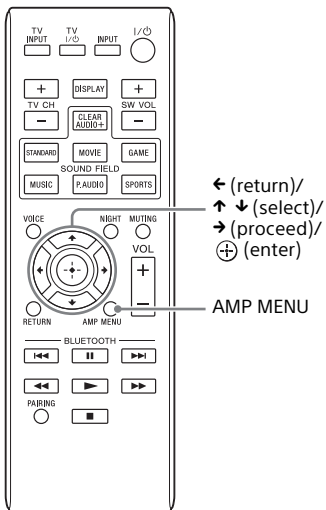
When using an iPhone/iPod touch

- 1 Press the I/⏻ (on/standby) button on the remote control.
The display of the Bar Speaker lights.
- 2 Press the PAIRING button on the remote control.
The lamp (blue) of the Bar Speaker flashes quickly during BLUETOOTH pairing.
- 3 Set the iPhone/iPod touch to pairing mode and select “SONY:HT-CT370” or “SONY:HT-CT770” from the BLUETOOTH device list on the iPhone/iPod touch.
When the connection has been established, the lamp (blue) of the Bar Speaker lights.
- 4 Search for “SongPal” with the connected iPhone/iPod touch and download that application.
- 5 Run “SongPal” then operate the system with the display of the iPhone/iPod touch.

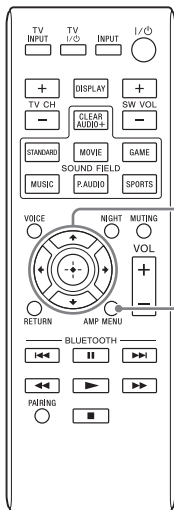
Adjusting the settings

You can set the following items with the AMP MENU button on the remote control. Your settings are retained even if you disconnect the AC power cord (mains lead).

- 1 Press the AMP MENU button on the remote control to display the amplifier menu window on the display of the Bar Speaker.
- 2 Select the desired setting, using the ← (return)/↑ ↓ (select)/→ (proceed) button, and press the ⊕ (enter) button.
- 3 Press the AMP MENU button to exit the amplifier menu window.



Menu		Function	Default
LEVEL	DRC (Dynamic range control)	You can enjoy Dolby Digital sound at low sound volumes. (ON/AUTO/OFF) ON: Compresses sound in accordance with the compression information contained in the content. AUTO: Automatically compresses sound encoded in Dolby TrueHD. OFF: Sound is not compressed.	AUTO
	TONE	BASS Low sound is emphasized. The setting can be changed from -6 to +6 in units of 1.	0
	TREBLE High sound is emphasized. The setting can be changed from -6 to +6 in units of 1.	0	
AUDIO	SYNC (AV sync)	You can adjust the sound when the image and the sound are not in sync. (ON/OFF)	OFF
	DUAL (Dual mono)	You can enjoy multiplex broadcast sound of Dolby Digital audio. (M/S (main and sub channels)/MAIN (main channel)/SUB (sub channel))	MAIN
	AAV (Advanced auto volume)	Reduces the volume discrepancies between different programs or between programs and commercials. (ON/OFF)	OFF
	EFFECT (Sound effect)	ON: The sound of the selected sound field is played. It is recommended to use this setting. OFF: The input source is down-mixed for 2 channels. Note: When "EFFECT (Sound effect)" is set to "OFF," "EFFECT (Sound effect)" is automatically set to "ON" when you change the SOUND FIELD setting.	ON

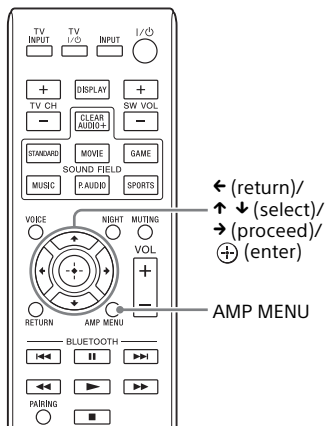


← (return)/
 ↑ ↓ (select)/
 → (proceed)/
 ⊕ (enter)

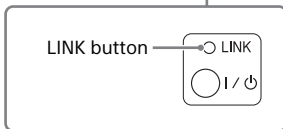
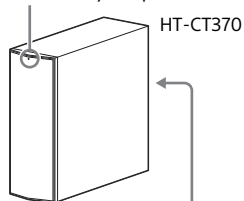
AMP MENU

Menu	Function	Default	
HDMI	CTRL (Control for HDMI)	To switch the Control for HDMI function on or off. (ON/OFF) Refer to "Using the Control for HDMI function" (page 8) for details.	ON
	P. THRU (Pass through)	To set the power saving mode of the pass-through function for HDMI signals. (AUTO/ON) AUTO: Outputs signals from the HDMI OUT jack of the system in standby mode according to the status of the TV. This setting saves power in standby mode compared with the "ON" setting. ON: Always outputs signals from the HDMI OUT jack in standby mode. If any TV other than "BRAVIA" is connected, use the system with the "ON" setting. Note: This item appears only when "CTRL (Control for HDMI)" is set to "ON."	AUTO
	ARC (Audio return channel)	To listen to digital sound from a TV compatible with the Audio Return Channel (ARC) technology that is connected using a High Speed HDMI cable. (ON/OFF) Note: This item appears only when "CTRL (Control for HDMI)" is set to "ON."	ON
SET BT	BT PWR (BLUETOOTH power)	To switch the BLUETOOTH function of this system on and off. (ON/OFF) Note: If you change the setting to "OFF," the BLUETOOTH function and the NFC function become disabled.	ON
	BT.STBY (BLUETOOTH standby)	When the system has pairing information, the system is in the BLUETOOTH standby mode even when it is turned off. (ON/OFF)	ON
	AAC (Advanced audio coding)	To set whether or not the system will use AAC via BLUETOOTH. (ON/OFF) Note: If you change the setting when the system is connected with a BLUETOOTH device, the system will be disconnected from the device.	ON
SYSTEM	A. STBY (Auto standby)	To switch the AUTO POWER OFF function on or off. (ON/OFF) The system turns off automatically when no operation has been made within a certain period (about 20 minutes) and the system is not receiving an input signal.	ON
	VER (Version)	To display the current firmware version.	-
	SYS.RST (System cold reset)	To reset menus and settings (sound fields, etc.) of the system to the initial status when it does not work properly. Refer to "Troubleshooting" (page 20) for details.	-
WS	LINK	To link the wireless sound system again (page 14).	-
	RF CHK	To check whether the wireless sound system of the system can communicate or not. (OK/NG)	-

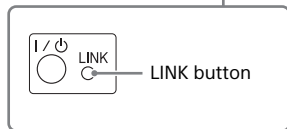
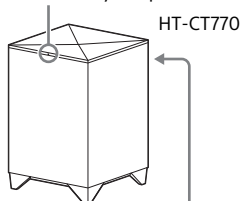
Linking the system (LINK)



On/standby lamp



On/standby lamp



Set up the wireless subwoofer connection again.

- 1 Press the **AMP MENU** button on the remote control.
- 2 Select "WS" with the **↑ ↓ (select)** button then press the **⊕ (enter)** or **→ (proceed)** button.
- 3 Select "LINK" with the **↑ ↓ (select)** button then press the **⊕ (enter)** or **→ (proceed)** button.
- 4 When "START" appears on the display of the Bar Speaker, press the **⊕ (enter)** button.
"SEARCH" appears, and the Bar Speaker searches for equipment that can be used with Link. Proceed to the next step within 1 minute.
To quit the Link function during a search for equipment, press the **← (return)** button.
- 5 Press the **LINK** button on the subwoofer with the point of a pen, etc.
The on/standby lamp on the subwoofer lights in green. "OK" appears on the display of the Bar Speaker.
If "FAILED" appears, check to ensure the subwoofer is turned on and perform the process again from step 1.
- 6 Press the **AMP MENU** button.
The amplifier menu turns off.

Precautions

On safety

- Should any solid object or liquid fall into the system, unplug the system and have it checked by qualified personnel before operating it any further.
- Do not climb on the Bar Speaker and subwoofer, as you may fall down and injure yourself, or system damage may result.

On power sources

- Before operating the system, check that the operating voltage is identical to your local power supply. The operating voltage is indicated on the nameplate at the bottom of the Bar Speaker.
- If you are not going to use the system for a long time, be sure to disconnect the system from the wall outlet (mains). To disconnect the AC power cord (mains lead), grasp the plug itself; never pull the cord.
- One blade of the plug is wider than the other for the purpose of safety and will fit into the wall outlet (mains) only one way. If you are unable to insert the plug fully into the outlet, contact your dealer.
- AC power cord (mains lead) must be changed only at a qualified service shop.

On heat buildup

Although the system heats up during operation, this is not a malfunction. If you continuously use this system at high volume, the system temperature at the rear and bottom rises considerably. To avoid burning yourself, do not touch the system.

On placement

- Place the system in a location with adequate ventilation to prevent heat buildup and prolong the life of the system.
- Do not place the system near heat sources or in a place subject to direct sunlight, excessive dust, or mechanical shock.

- Do not place anything at the rear of the Bar Speaker and subwoofer that might block the ventilation holes and cause malfunctions.
- If the system is being used in combination with a TV, VCR, or tape deck, noise may result and picture quality may suffer. In such a case, place the system away from the TV, VCR, or tape deck.
- Use caution when placing the system on a surface that has been specially treated (with wax, oil, polish, etc.), as staining or discoloration of the surface may result.
- Take care to avoid any possible injury from the corners of the Bar Speaker and subwoofer.

On operation

Before connecting other equipment, be sure to turn off and unplug the system.

If you encounter color irregularity on a nearby TV screen

Color irregularities may be observed on certain types of TV sets.

If color irregularity is observed...

Turn off the TV set, then turn it on again after 15 to 30 minutes.

If color irregularity is observed again...

Place the system further away from the TV set.

On cleaning

Clean the system with a soft, dry cloth. Do not use any type of abrasive pad, scouring powder, or solvent such as alcohol or benzine.

If you have any question or problem concerning your system, please consult your nearest Sony dealer.

Copyrights

This system incorporates Dolby* Digital and the DTS** Digital Surround System.

- * Manufactured under license from Dolby Laboratories. Dolby, and the double-D symbol are trademarks of Dolby Laboratories.
- ** Manufactured under license under U.S. Patent Nos: 5,956,674; 5,974,380; 6,226,616; 6,487,535; 7,212,872; 7,333,929; 7,392,195; 7,272,567 & other U.S. and worldwide patents issued & pending. DTS-HD, the Symbol, & DTS-HD and the Symbol together are registered trademarks of DTS, Inc. Product includes software. © DTS, Inc. All Rights Reserved.

The BLUETOOTH® word mark and logos are registered trademarks owned by Bluetooth SIG, Inc. and any use of such marks by Sony Corporation is under license.

This system incorporates High-Definition Multimedia Interface (HDMI™) technology.

The terms HDMI and HDMI High-Definition Multimedia Interface, and the HDMI Logo are trademarks or registered trademarks of HDMI Licensing LLC in the United States and other countries.

“BRAVIA” logo is a trademark of Sony Corporation.

“DSEE” is a trademark of Sony Corporation.

“x.v.Color” and “x.v.Color” logo are trademarks of Sony Corporation.

“PlayStation®” is a registered trademark of Sony Computer Entertainment Inc.

The N Mark is a trademark or registered trademark of NFC Forum, Inc. in the United States and in other countries.

Android and Google Play are trademarks of Google Inc.

“ClearAudio+” is a trademark of Sony Corporation.

Apple, the Apple logo, iPhone, iPod, and iPod touch are trademarks of Apple Inc., registered in the U.S. and other countries. App Store is a service mark of Apple Inc.



“Made for iPod,” and “Made for iPhone” mean that an electronic accessory has been designed to connect specifically to iPod or iPhone, respectively, and has been certified by the developer to meet Apple performance standards. Apple is not responsible for the operation of this device or its compliance with safety and regulatory standards. Please note that the use of this accessory with iPod or iPhone may affect wireless performance.

Made for iPod/iPhone models

The compatible iPod/iPhone models are as follows. Update your iPod/iPhone with the latest software before using with the system.

BLUETOOTH technology works with:

- iPhone
 - iPhone 5s/iPhone 5c/iPhone 5/iPhone 4s/iPhone 4/iPhone 3GS
- iPod touch
 - iPod touch (5th generation)/iPod touch (4th generation)

Other trademarks and trade names are those of their respective owners.

BLUETOOTH wireless technology

Supported BLUETOOTH version and profiles

Profile refers to a standard set of functions for various BLUETOOTH product features. Refer to “Specifications” (page 27) for the BLUETOOTH version and profiles supported by this system.

Notes

- To use the BLUETOOTH function, the BLUETOOTH device to be connected must support the same profile as this system. Even if the device supports the same profile, the functions may differ because of the specifications of the BLUETOOTH device.
- Audio playback on this system may be delayed from that on the BLUETOOTH device because of the characteristics of the BLUETOOTH wireless technology.

Effective communication range

BLUETOOTH devices should be used within approximately 10 meters (33 feet) (unobstructed distance) of each other. The effective communication range may become shorter under the following conditions;

- When a person, metal object, wall or other obstruction is between devices with a BLUETOOTH connection
- Locations where a wireless LAN is installed
- Around microwave ovens that are in use
- Locations where other electromagnetic waves are generated

Effects of other devices

BLUETOOTH devices and wireless LAN (IEEE 802.11b/g) equipment use the same frequency band (2.4 GHz). When using your BLUETOOTH device near a device with wireless LAN capability, electromagnetic interference may occur.

This could result in lower data-transfer rates, noise, or inability to connect. If this happens, try the following remedies:

- Connect this system and BLUETOOTH mobile phone or BLUETOOTH device when you are at least 10 meters (33 feet) away from the wireless LAN equipment.

- Turn off the power to the wireless LAN equipment when using your BLUETOOTH device within 10 meters (33 feet).

Effects on other devices

The radio waves broadcast by this system may interfere with the operation of some medical devices. Since this interference may result in malfunction, always turn off the power to this system, BLUETOOTH mobile phone and BLUETOOTH device in the following locations:

- In hospitals, on trains or airplanes, at gas stations, and any place where flammable gasses may be present
- Near automatic doors or fire alarms

Notes

- This system supports security functions that comply with the BLUETOOTH specification as a means of ensuring security during communication using BLUETOOTH technology. However, this security may be insufficient, depending on the settings and other factors. So always be careful when performing communication using BLUETOOTH technology.
- Sony shall not be held liable in any way for damages or other loss resulting from information leaks during communication using BLUETOOTH technology.
- BLUETOOTH communication is not necessarily guaranteed with all BLUETOOTH devices that have the same profile as this system.
- BLUETOOTH devices connected with this system must comply with the BLUETOOTH specification prescribed by the Bluetooth SIG, Inc., and must be certified to comply. However, even when a device complies with the BLUETOOTH specification, there may be cases where the characteristics or specifications of the BLUETOOTH device make it impossible to connect or may result in different control methods, display, or operation.
- Noise may occur or the audio may cut off, depending on the BLUETOOTH device connected with this system, the communications environment, or surrounding conditions.

Troubleshooting

If you experience any of the following difficulties while using the system, use this troubleshooting guide to help remedy the problem before requesting repairs. Should any problem persist, consult your nearest Sony dealer.

Be sure to bring both your Bar Speaker and subwoofer, even if it seems as though only one has a problem, when you request to repair.

POWER

The system does not power up.

→ Check that the AC power cord (mains lead) is connected securely.

The system is turned off automatically.

→ The "A. STBY" function is working. Set "A. STBY (Auto standby)" to "OFF" (page 13).

SOUND

No TV sound is output from the system.

→ Repeatedly press the INPUT button on the remote control to display "TV" in the display (refer to "Listening to the audio of the TV" in the supplied Startup Guide).

→ Check the connection of the HDMI cable, optical digital cable, or audio cable that is connected to the system and the TV (refer to "Connection" in the supplied Startup Guide).

→ Check the sound output of the TV. Refer to the operating instructions of the TV for the TV settings.

→ Increase the volume on the TV or cancel muting.

→ When a TV compatible with the Audio Return Channel (ARC) technology is connected with an HDMI cable, make sure the cable is connected to the HDMI input (ARC) terminal of the TV (refer to "Connection" in the supplied Startup Guide).

→ If the TV is not compatible with the Audio Return Channel (ARC) technology, connect the optical digital cable in addition to the HDMI cable in order to output sound (refer to "Connection" in the supplied Startup Guide).

The sound is output from both the system and the TV.

→ Turn off the sound of the system or the TV.

The TV sound from this system lags behind the image.

→ Set "SYNC (AV sync)" to "OFF" if it is set to "ON" (page 12).

No sound or only a very low-level sound of the equipment connected to the Bar Speaker is heard from the Bar Speaker.

→ Press the VOL + button on the remote control and check the volume level (refer to "Parts and controls" (page 21)).

→ Press the MUTING or VOL + button on the remote control to cancel the muting function (refer to "Parts and controls" (page 25)).

→ Make sure the input source is selected correctly. You should try other input sources by pressing the INPUT button on the remote control several times (refer to "Listening to the sound" in the supplied Startup Guide).

→ Check that all the cables and cords of the system and the connected equipment are firmly inserted.

No sound or only a very low-level sound is heard from the subwoofer.

→ Press the SW VOL + button on the remote control to increase the subwoofer volume (refer to "Parts and controls" (page 25)).

→ Make sure that the on/standby lamp on the subwoofer is lit in green. If not, refer to "No sound is heard from the subwoofer." in "WIRELESS SOUND" (page 19).

→ A subwoofer is for reproducing bass sound. In the case of input sources that contain very little bass sound components (i.e., a TV broadcast), the sound from the subwoofer may be difficult to hear.

→ When you play content compatible with copyright protection technology (HDCP), it is not output from the subwoofer.

The surround effect cannot be obtained.

→ Depending on the input signal and the sound field setting, surround sound processing may not work effectively. The surround effect may be subtle, depending on the program or disc.

→ To play multi channel audio, check the digital audio output setting on the device connected to the system. For details, refer to the operating instructions supplied with the connected equipment.

BLUETOOTH

BLUETOOTH connection cannot be completed.

- Make sure that the lamp (blue) of the Bar Speaker is lit (refer to “Listening to the sound from BLUETOOTH devices” in the supplied Startup Guide).

System status	Lamp (blue) status
During BLUETOOTH pairing	Flashes quickly
The system is attempting to connect with a BLUETOOTH device	Flashes
The system has established connection with a BLUETOOTH device	Lit
The system is in BLUETOOTH standby mode (when the system is off)	Unlit

- Make sure the BLUETOOTH device to be connected is turned on and the BLUETOOTH function is enabled.
- Bring this system and the BLUETOOTH device closer together.
- Pair this system and the BLUETOOTH device again. You may need to cancel the pairing with this system using your BLUETOOTH device first.

Pairing cannot be achieved.

- Bring this system and the BLUETOOTH device closer together (refer to “Listening to the sound from BLUETOOTH devices” in the supplied Startup Guide).
- Make sure this system is not receiving interference from a wireless LAN equipment, other 2.4 GHz wireless devices, or a microwave oven. If a device that generates electromagnetic radiation is nearby, move the device away from this system.

No sound is output from the connected BLUETOOTH device.

- Make sure that the lamp (blue) of the Bar Speaker is lit (refer to “Listening to the sound from BLUETOOTH devices” in the supplied Startup Guide).
- Bring this system and the BLUETOOTH device closer together.
- If a device that generates electromagnetic radiation, such as a wireless LAN equipment, other BLUETOOTH devices, or a microwave oven is nearby, move the device away from this system.

- Remove any obstacle between this system and the BLUETOOTH device or move this system away from the obstacle.
- Reposition the connected BLUETOOTH device.
- Try changing the wireless frequency of the Wi-Fi router, computer, etc., to the 5 GHz band.
- Increase the volume on the connected BLUETOOTH device.

The sound is not in sync with the image.

- When you are watching movies, you may hear the sound with a slight delay from the image.

WIRELESS SOUND

No sound is heard from the subwoofer.

- Check that the AC power cord (mains lead) of the subwoofer is connected properly. (Refer to “Turning on the system” in the supplied Startup Guide.)
- The on/standby lamp does not light.
 - Check that the AC power cord (mains lead) of the subwoofer is connected properly.
 - Press the I/⏻ (on/standby) button of the subwoofer to turn on the power.
- The on/standby lamp flashes slowly in green or lights in red.
 - Move the subwoofer to a location near the Bar Speaker so that the on/standby lamp lights in green.
 - Follow the steps in “Linking the system (LINK)” (page 14).
 - Check the communication status of the wireless sound system with the “RF CHK” of the amplifier menu (page 13).
- The on/standby lamp flashes quickly in green.
 - Consult your nearest Sony dealer.
- The on/standby lamp flashes in red.
 - Press the I/⏻ (on/standby) button of the subwoofer to turn off the power and check whether the ventilation opening of the subwoofer is blocked or not.
- The subwoofer is designed for playback of bass sound. When the input source does not contain much of bass sound, as is the case with most TV programs, the bass sound may not be audible.
- Press the SW VOL + button on the remote control to increase the volume of the subwoofer (refer to “Parts and controls” (page 25)).

continued

Sound skips or has noise.

- If there is a device nearby that generates electromagnetic waves like a wireless LAN or an electronic oven in use, locate the system apart from it.
- If there is an obstacle between the Bar Speaker and the subwoofer, move or remove it.
- Locate the Bar Speaker and the subwoofer as close as possible.
- Switch the wireless LAN frequency of any nearby Wi-Fi router or personal computer to 5-GHz range.

REMOTE CONTROL

The remote control of this system does not function.

- Point the remote control at the remote control sensor on the Bar Speaker (refer to "Parts and controls" (page 25)).
- Remove any obstacles in the path between the remote control and the system.
- Replace both batteries in the remote control with new ones, if they are weak.
- Make sure you are pressing the correct button on the remote control.

OTHERS

The Control for HDMI function does not work properly.

- Check the HDMI connection (refer to "Connection" in the supplied Startup Guide).
- Set up the Control for HDMI function on the TV. Refer to the operating instructions supplied with the TV for TV setting.
- Make sure that any equipment connected is compatible with "BRAVIA" Sync.
- Check the Control for HDMI settings on the connected equipment. Refer to the operating instructions supplied with the connected equipment.
- If you connect/disconnect the AC power cord (mains lead), wait more than 15 seconds before operating the system.
- If you connect the audio output of video equipment with the system, using a cable other than an HDMI cable, no sound may be output because of "BRAVIA" Sync. In such a case, set "CTRL

(Control for HDMI)" to "OFF" (page 13) or connect the cable from the audio output jack of the video equipment directly to the TV.

"PRTECT (protect)" appears on the display of the Bar Speaker.

- Press the I/⏻ (on/standby) button to turn off the system. After the indicator disappears, disconnect the AC power cord (mains lead) then check that nothing is blocking the ventilation holes of the system.

Sensors of the TV do not work properly.

- The Bar Speaker may block some sensors (such as the brightness sensor) and the remote control receiver of your TV, or the "emitter for 3D glasses (infrared transmission)" of a 3D TV that supports the infrared 3D glass system. Move the Bar Speaker away from the TV within a range that allow those parts to operate properly. For the locations of the sensors and remote control receiver, refer to the operating instructions supplied with the TV.

RESET

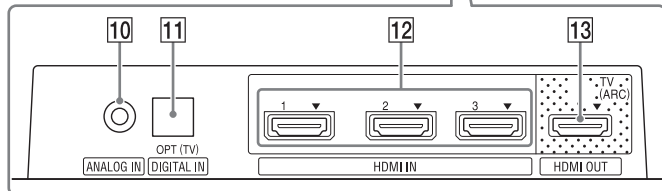
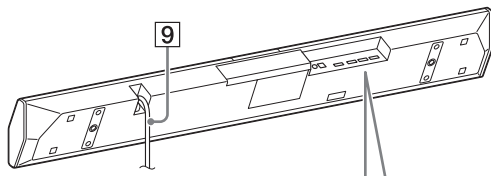
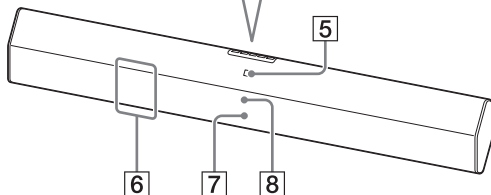
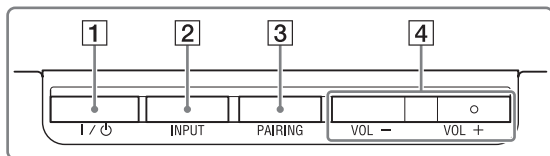
If the system still does not operate properly, reset the system as follows:

- 1 Press the I/⏻ (on/standby) button on the remote control to turn the Bar Speaker on.**
- 2 Press the AMP MENU button on the remote control.**
- 3 Press the ↑ ↓ (select) button repeatedly until "SYSTEM" appears, then press the ⊕ (enter) button.**
- 4 Press the ↑ ↓ (select) button repeatedly until "SYS.RST" appears, then press the ⊕ (enter) button (page 13).**
- 5 Press the ⊕ (enter) button after displaying "START."** "RESET" appears on the display, and the settings of the menu and sound fields, etc. return to their initial statuses.
- 6 Disconnect the AC power cord (mains lead).**

Parts and controls

HT-CT370

Bar Speaker



Front/Top

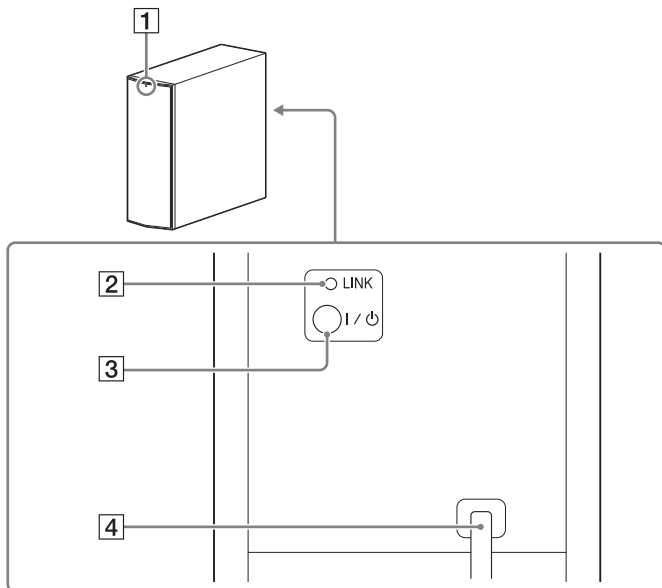
- 1 I/⏻ (on/standby) button
- 2 INPUT button
- 3 PAIRING button
- 4 VOL (volume) +/- buttons
- 5 N mark
When using the NFC function, touch your NFC device to the mark.
- 6 Remote control sensor
- 7 Lamp
 - White: when the display of the Bar Speaker is turned off.
 - Blue: BLUETOOTH mode (page 19)
- 8 Display

Rear/Bottom

- 9 AC power cord (mains lead)
- 10 ANALOG IN jack
- 11 DIGITAL IN (OPT (TV)) jack
- 12 HDMI IN 1/2/3 jacks
- 13 HDMI OUT (TV (ARC)) jack

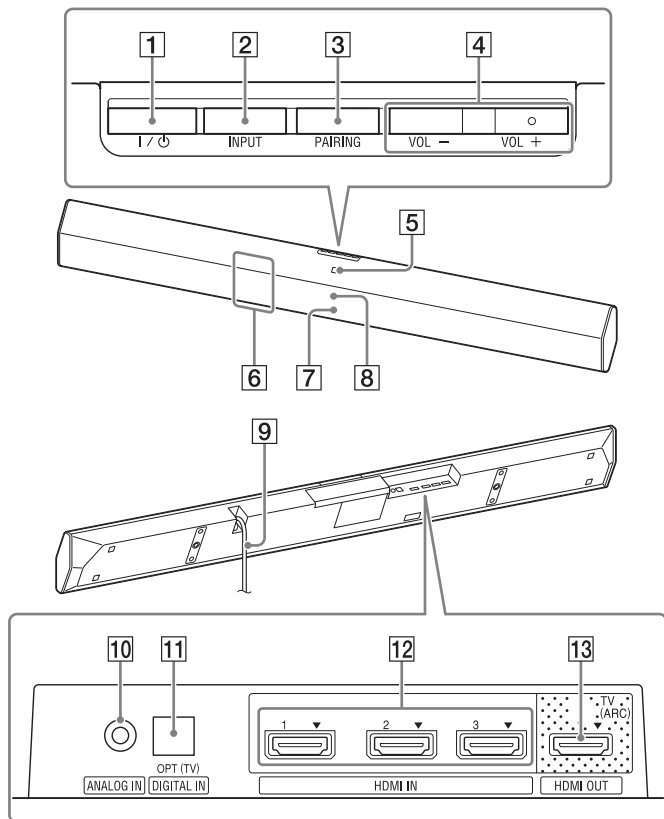
Subwoofer

- 1 On/standby lamp
- 2 LINK button
- 3 I/⏻ (on/standby) button
- 4 AC power cord (mains lead)



HT-CT770

Bar Speaker



Front/Top

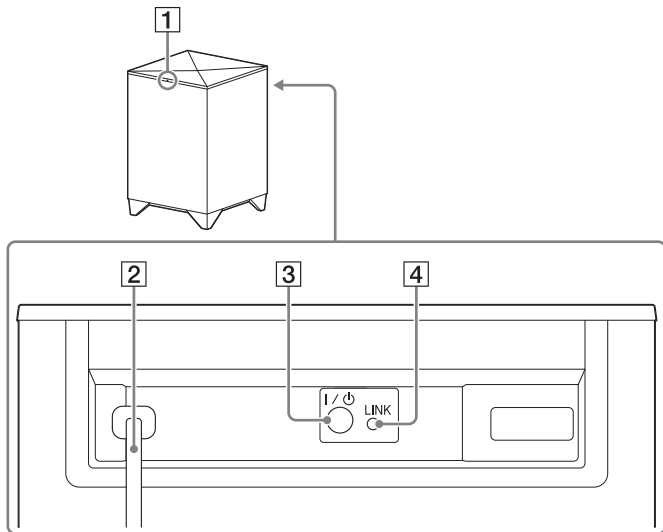
- 1 I/⏻ (on/standby) button
- 2 INPUT button
- 3 PAIRING button
- 4 VOL (volume) +/- buttons
- 5 N mark
When using the NFC function, touch your NFC device to the mark.
- 6 Remote control sensor
- 7 Lamp
 - White: when the display of the Bar Speaker is turned off.
 - Blue: BLUETOOTH mode (page 19)
- 8 Display

Rear/Bottom

- 9 AC power cord (mains lead)
- 10 ANALOG IN jack
- 11 DIGITAL IN (OPT (TV)) jack
- 12 HDMI IN 1/2/3 jacks
- 13 HDMI OUT (TV (ARC)) jack

Subwoofer

- 1 On/standby lamp
- 2 AC power cord (mains lead)
- 3 I/⏻ (on/standby) button
- 4 LINK button

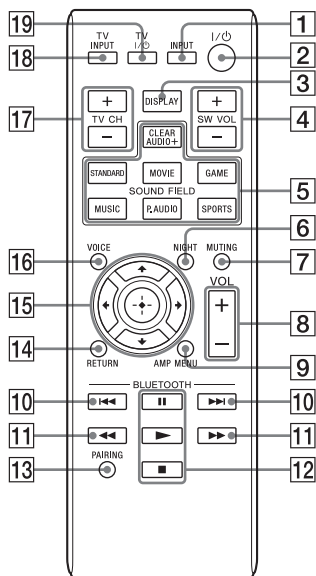


Remote control

The supplied remote control can control the system and the connected devices. Some devices may not be controlled by it. In such a case, use the remote control of the device.

Note

Operate the remote control by aiming it at the remote control sensor of the Bar Speaker.



Operation of the system

- 1 INPUT button**
 - 2 I/⏻ (on/standby) button**
 - 3 DISPLAY button**

To switch the brightness (Bright/Dark/Off) of the display of the Bar Speaker.

 - When the display brightness is set to “Off,” the display is turned off after the display shows operation status for several seconds.
 - When switched from “Off” to “Bright,” the display shows the audio stream information.
 - 4 SW VOL (subwoofer volume) +/- buttons**
 - 5 SOUND FIELD buttons*1**
 - 6 NIGHT (night mode) button*1**
 - 7 MUTING button**
 - 8 VOL (volume) +*2/- buttons**
 - 9 AMP MENU button**
 - 13 PAIRING button**
 - 14 RETURN button**
 - 15 ← (return)/↑ (select)/↓ (proceed)/⊕ (enter) buttons**

Press the ←, ↑, ↓, or → button to select a setting then press the ⊕ button to register the setting.
 - 16 VOICE button*1**
- ### Operation of the TV
- 17 TV CH (channel) +/- buttons**

To change the channel.
 - 18 TV INPUT button**

To switch the input in the TV.
 - 19 TV I/⏻ (on/standby) button**

To turn on and off a TV that can be controlled by the remote control of the system.

Operation of the BLUETOOTH device

10 ◀◀/▶▶ buttons

To skip a track.

11 ◀◀/▶▶ buttons

To fast reverse or to fast-forward the music when pressed during playback.

12 Playback control buttons

▶*2 (playback)/⏸ (pause)/■ (stop)

To start, pause or stop the playback. To restart playback during a pause, press the ⏸ button again.

Note

These are the basic operation examples. There may be a device that may not be operated or may work differently.

*1 Refer to "Enjoying the sound effects" in the supplied Startup Guide.

*2 The ▶ (playback) and VOL (volume) + buttons each have a tactile dot. Use it as a guide during operation.

Setting the manufacturer of the TV

- 1 Press the button corresponding to the manufacturer while holding the TV I/⏻ (on/standby) button on the remote control of the system pressed.

Manufacturer	Button
SONY	17 TV CH +
Samsung	3 DISPLAY
LG	4 SW VOL +
Panasonic	17 TV CH -
VIZIO	5 CLEARAUDIO+
Sharp	4 SW VOL -
Toshiba	5 STANDARD
FUNAI	5 MOVIE

- 2 Keep holding the TV I/⏻ (on/standby) button and press the ⊕ (enter) button.
- 3 Release the TV I/⏻ (on/standby) button on the remote control of the system pressed.

Specifications

Bar Speaker (SA-CT370, SA-CT770)

Amplifier section

U.S. models:

POWER OUTPUT AND TOTAL HARMONIC DISTORTION:
(FTC)

Front L + Front R:

With 4 ohms loads, both channels driven, from 200 - 20,000 Hz;
rated 35 Watts per channel minimum RMS power, with no more than
1% total harmonic distortion from 250 milliwatts to rated output.

POWER OUTPUT (reference)

SA-CT370:

Front L/Front R: 100 Watts (per channel at 4 ohms, 1 kHz)

SA-CT770:

Front L/Front R: 105 Watts (per channel at 4 ohms, 1 kHz)

Canadian models:

POWER OUTPUT (rated)

Front L + Front R: 50 W + 50 W
(at 4 ohms, 1 kHz, 1% THD)

POWER OUTPUT (reference)

SA-CT370:

Front L/Front R: 100 Watts (per channel at 4 ohms, 1 kHz)

SA-CT770:

Front L/Front R: 105 Watts (per channel at 4 ohms, 1 kHz)

Inputs

HDMI IN 1/2/3*

ANALOG IN

DIGITAL IN (OPT (TV))

* These 3 jacks are identical. Using any of them makes no difference.

Output

HDMI OUT (TV (ARC))

BLUETOOTH section

Communication system

BLUETOOTH Specification version 3.0

Output

BLUETOOTH Specification Power Class 2

Maximum communication range

Line of sight approx. 10 m (33 ft)¹⁾

Maximum number of devices to be registered

9 devices

Frequency band

2.4 GHz band (2.4000 GHz - 2.4835 GHz)

Modulation method

FHSS (Freq Hopping Spread Spectrum)

Compatible BLUETOOTH profiles²⁾

A2DP (Advanced Audio Distribution Profile)

AVRCP 1.3 (Audio Video Remote Control Profile)

Supported Codecs³⁾

SBC⁴⁾, AAC⁵⁾

Transmission range (A2DP)

20 Hz - 20,000 Hz (Sampling frequency 44.1 kHz)

- 1) The actual range will vary depending on factors such as obstacles between devices, magnetic fields around a microwave oven, static electricity, cordless phone, reception sensitivity, operating system, software application, etc.
- 2) BLUETOOTH standard profiles indicate the purpose of BLUETOOTH communication between devices.
- 3) Codec: Audio signal compression and conversion format
- 4) Subband Codec
- 5) Advanced Audio Coding

Front L/Front R speaker section

Speaker system

SA-CT370: Full-range speaker system, Acoustic suspension

SA-CT770: 2-way speaker system, Acoustic suspension

Speaker

SA-CT370: 60 mm (2 3/8 in) cone type

SA-CT770: 60 mm (2 3/8 in) cone type woofer

20 mm (13/16 in) balance drive tweeter

Rated impedance

4 ohms

General

Power requirements

120 V AC, 60 Hz

Power consumption

On: 34 W

Standby mode (Control for HDMI is set to on): 0.5 W or less

Standby mode (Control for HDMI is set to off): 0.3 W or less

BLUETOOTH Standby mode: 0.5 W or less

Dimensions (approx.) (w/h/d)

SA-CT370:

900 mm × 50 mm × 113 mm (35 1/2 in × 2 in × 4 1/2 in)
(without wall mounting brackets)

900 mm × 113 mm × 72 mm (35 1/2 in × 4 1/2 in × 2 7/8 in)
(with wall mounting brackets)

SA-CT770:

1030 mm × 50 mm × 113 mm (40 5/8 in × 2 in × 4 1/2 in)
(without wall mounting brackets)

1030 mm × 113 mm × 72 mm (40 5/8 in × 4 1/2 in × 2 7/8 in)
(with wall mounting brackets)

Mass (approx.)

SA-CT370: 2.4 kg (5 lb 4 5/8 oz)

SA-CT770: 2.6 kg (5 lb 11 3/4 oz)

Subwoofer (SA-WCT370, SA-WCT770)

POWER OUTPUT (reference)

SA-WCT370: 100 W (per channel at 4 ohms, 100 Hz)

SA-WCT770: 120 W (per channel at 4 ohms, 100 Hz)

Speaker system

Subwoofer system, Bass reflex

Speaker

SA-WCT370: 100 mm × 150 mm (4 in × 6 in) cone type

SA-WCT770: 160 mm (6 3/8 in) cone type

Rated impedance

4 ohms

Power requirements

120 V AC, 60 Hz

Power consumption

On: 30 W

Standby mode: 0.5 W or less

Dimensions (approx.) (w/h/d)

SA-WCT370: 135 mm × 361.5 mm × 394 mm
(5 3/8 in × 14 1/4 in × 15 5/8 in) (vertical)

361.5 mm × 135 mm × 394 mm
(14 1/4 in × 5 3/8 in × 15 5/8 in) (horizontal)

SA-WCT770: 271 mm × 404 mm × 271 mm

(10 3/4 in × 16 in × 10 3/4 in)

Mass (approx.)

SA-WCT370: 7.0 kg (15 lb 6 7/8 oz)

SA-WCT770: 8.8 kg (17 lb 10 1/2 oz)

Wireless transmitter/receiver section

Speaker system

Wireless Sound Specification version 2.0

Frequency band

2.4 GHz (2.4000 GHz - 2.4835 GHz)

Modulation method

Pi / 4 DQPSK

Digital audio input formats supported by the system

Dolby Digital

DTS-HD Master Audio*

Dolby Digital Plus*

DTS-HD High Resolution Audio*

Dolby TrueHD*

DTS-HD Low Bit Rate*

DTS

Linear PCM 2ch 48 kHz or less

DTS 96/24

Linear PCM Maximum 7.1ch 192 kHz or less*

* It is possible to input these formats only with HDMI connection.

Video formats supported by the system

Input/Output (HDMI Repeater block)

File	2D	3D		Over-Under (Top-and- Bottom)
		Frame packing	Side-by- Side (Half)	
4096 × 2160p @ 59.94/60 Hz ^{*1}	○	-	-	-
4096 × 2160p @ 50 Hz ^{*1}	○	-	-	-
4096 × 2160p @ 23.98/24 Hz ^{*2}	○	-	-	-
3840 × 2160p @ 59.94/60 Hz ^{*1}	○	-	-	-
3840 × 2160p @ 50 Hz ^{*1}	○	-	-	-
3840 × 2160p @ 29.97/30 Hz ^{*2}	○	-	-	-
3840 × 2160p @ 25 Hz ^{*2}	○	-	-	-
3840 × 2160p @ 23.98/24 Hz ^{*2}	○	-	-	-
1920 × 1080p @ 59.94/60 Hz	○	-	○	○
1920 × 1080p @ 50 Hz	○	-	○	○
1920 × 1080p @ 29.97/30 Hz	○	○	○	○
1920 × 1080p @ 25 Hz	○	○	○	○
1920 × 1080p @ 23.98/24 Hz	○	○	○	○
1920 × 1080i @ 59.94/60 Hz	○	○	○	○
1920 × 1080i @ 50 Hz	○	○	○	○
1280 × 720p @ 59.94/60 Hz	○	○	○	○
1280 × 720p @ 50 Hz	○	○	○	○
1280 × 720p @ 29.97/30 Hz	○	○	○	○
1280 × 720p @ 23.98/24 Hz	○	○	○	○
720 × 480p @ 59.94/60 Hz	○	-	-	-
720 × 576p @ 50 Hz	○	-	-	-
640 × 480p @ 59.94/60 Hz	○	-	-	-

^{*1} YCbCr 4:2:0/Supported 8-bit only

^{*2} Supported 8-bit only

Design and specifications are subject to change without notice.

Enregistrement du propriétaire

Le modèle et le numéro de série sont situés sous la barre de haut-parleurs. Notez le numéro de série dans l'espace ci-dessous. Vous devrez vous y référer lors d'un appel à votre revendeur Sony au sujet de ce produit.

N° de modèle HT-CT370/CT770

N° de série _____

AVERTISSEMENT

Pour réduire les risques d'incendie ou d'électrocution, gardez cet appareil à l'abri de la pluie et de l'humidité.

L'appareil n'est pas débranché du secteur aussi longtemps qu'il est raccordé à la prise secteur, même s'il s'éteint automatiquement.

Pour réduire le risque d'incendie, n'obstruez pas l'orifice de ventilation de l'appareil avec un journal, une nappe, une tenture, etc. N'exposez pas l'appareil à une source de flamme nue (par exemple, une bougie allumée).

Pour réduire le risque d'incendie ou d'électrocution, n'exposez pas cet appareil à des éclaboussures ou des gouttes d'eau et ne posez pas dessus des objets remplis de liquides, notamment des vases.

La fiche principale étant utilisée pour déconnecter l'unité de l'alimentation secteur, connectez l'unité à une prise secteur aisément accessible. Si vous remarquez une anomalie dans l'appareil, débranchez immédiatement la fiche principale de la prise secteur.

N'installez pas cet appareil dans un endroit confiné, comme sur une étagère ou un meuble TV intégré.

N'exposez pas les piles ou un appareil contenant des piles à une chaleur excessive, notamment aux rayons directs du soleil ou à des flammes.

Utilisation à l'intérieur seulement.

Pour les clients résidant aux Etats-Unis



Le marquage Attention est situé sous le boîtier (pour la barre de haut-parleurs).



Ce symbole est destiné à renseigner l'utilisateur sur la présence à l'intérieur du boîtier de l'appareil d'une « tension dangereuse » non isolée et suffisamment puissante pour présenter un risque d'électrocution.



Ce symbole est destiné à renseigner l'utilisateur sur la présence d'importantes instructions d'utilisation et d'entretien (service) dans les documents qui accompagnent l'appareil.

Pour la barre de haut-parleurs

La plaque signalétique et la date de fabrication sont situées sous la barre.

Consignes de sécurité importantes

- 1) Lisez ces instructions.
- 2) Conservez ces instructions.
- 3) Respectez tous les avertissements.
- 4) Respectez toutes les instructions.
- 5) N'utilisez pas cet appareil à proximité de l'eau.
- 6) Nettoyez-le uniquement avec un chiffon sec.
- 7) N'obstruez pas les orifices de ventilation. Installez l'appareil conformément aux instructions du fabricant.
- 8) N'installez pas l'appareil à proximité des sources de chaleur telles que les radiateurs, les registres de chaleur, les poêles ou autres appareils (y compris les amplificateurs) produisant de la chaleur.
- 9) N'altérez pas le dispositif de sécurité de la fiche polarisée ou mise à la terre. Une fiche polarisée compte deux lames de largeur différente. Une fiche de type mise à la terre possède deux lames et une broche de mise à la terre. La lame la plus large ou la troisième broche assure une fonction de sécurité. Si la fiche fournie d'origine ne s'adapte pas à votre prise, faites remplacer la prise obsolète par un électricien.

- 10) Protégez le cordon d'alimentation des lieux de passage ou des points de pincement, en particulier au niveau des fiches, des prises de courant et de sa sortie de l'appareil.
- 11) Utilisez uniquement des accessoires spécifiés par le fabricant.
- 12) Utilisez uniquement l'appareil avec le chariot, socle, trépied, support ou table spécifié par le fabricant ou vendu avec l'appareil. Si vous utilisez un chariot, soyez prudent lorsque vous le déplacez avec l'appareil afin d'éviter toute chute susceptible de provoquer des blessures.



- 13) Débranchez cet appareil en cas d'orage ou d'inutilisation prolongée.
- 14) Confiez toutes les réparations à du personnel de service qualifié.
L'appareil doit être réparé en cas de dommage quelconque, notamment lorsque le cordon d'alimentation ou sa fiche est endommagé, du liquide ou un objet a pénétré à l'intérieur de l'appareil, l'appareil a été exposé à la pluie ou à l'humidité, l'appareil ne fonctionne pas normalement ou est tombé.

La déclaration de la FCC suivante s'applique uniquement à la version de ce modèle fabriquée pour la vente aux Etats-Unis. Il se peut que les autres versions ne soient pas conformes aux réglementations techniques de la FCC.

REMARQUE :

Cet appareil a été testé et s'est révélé conforme aux limites des appareils numériques de Classe B, conformément à l'alinéa 15 de la réglementation FCC. Ces limites sont conçues pour assurer une protection raisonnable contre les interférences nuisibles dans une installation résidentielle. Cet appareil génère, utilise et peut rayonner de l'énergie de fréquence radio qui, en cas d'installation et d'utilisation non conformes aux instructions, peut engendrer des interférences nuisibles avec les communications radio. Il n'est toutefois pas garanti qu'aucune interférence ne surviendra dans une installation particulière. Si cet appareil altère effectivement la réception radio ou télévisée, ce qui peut être déterminé en le mettant hors tension, puis à nouveau sous tension, nous vous encourageons à

essayer de remédier à la situation en prenant une ou plusieurs mesures ci-après :

- Réorientez ou repositionnez l'antenne de réception.
- Augmentez la distance qui sépare l'appareil du récepteur.
- Raccordez l'appareil à la prise d'un circuit différent de celui auquel le récepteur est raccordé.
- Sollicitez l'aide de votre revendeur ou d'un technicien en radio/télévision expérimenté.

Des câbles et connecteurs correctement blindés et mis à la terre doivent être utilisés pour le raccordement à des ordinateurs hôtes ou des périphériques afin de satisfaire aux limites d'émission du FCC.

ATTENTION

Vous êtes prévenu que toute modification ou changement non expressément approuvé dans ce manuel peut annuler votre autorisation à utiliser cet appareil.

Cet appareil ne doit pas se trouver à proximité d'un autre émetteur ou d'une autre antenne, ou encore être utilisé en même temps que ceux-ci.

Cet appareil est conforme aux limites d'exposition au rayonnement de la FCC déterminées pour un environnement incontrôlé et répond aux recommandations d'exposition de la radiofréquence (RF) de la FCC. Cet équipement présente des niveaux d'énergie RF très bas considérés comme conformes et ne nécessite pas d'évaluation d'exposition maximale admise (MPE). Il est toutefois souhaitable de l'installer et de l'utiliser en laissant l'appareil rayonnant à une distance d'au moins 20cm de votre corps (sans compter les extrémités : mains, poignets, pieds et chevilles).

Pour les clients au Canada

Il est impératif d'utiliser des câbles et des connecteurs correctement blindés et mis à la terre pour la connexion à des ordinateurs hôtes et/ou aux périphériques.

Le présent appareil est conforme aux CNR d'Industrie Canada applicable aux appareils radio exempts de licence.

L'exploitation est autorisée aux deux conditions suivantes :

(1) l'appareil ne doit pas produire de brouillage, et (2) l'utilisateur de l'appareil doit accepter tout brouillage radioélectrique subi, même si le brouillage est susceptible d'en compromettre le fonctionnement.

Cet appareil est conforme aux limites d'exposition au rayonnement d'IC déterminées pour un environnement incontrôlé et correspond aux règles d'exposition RSS-102 de la radiofréquence (RF) d'IC.

Cet équipement présente des niveaux d'énergie RF très bas considérés comme conformes et ne nécessite pas d'évaluation d'exposition maximale admise (MPE). Il est toutefois souhaitable de l'installer et de l'utiliser en laissant l'appareil rayonnant à une distance d'au moins 20cm de votre corps (sans compter les extrémités : mains, poignets, pieds et chevilles).

Table des matières

Fonctions utiles

Installation de la barre de haut-parleurs sur un mur	6
Réglage de la fonction Commande pour HDMI	8
Utilisation des fonctions « BRAVIA » Sync	9
Contrôle du système à l'aide d'un smartphone ou d'une tablette (SongPal)	10
Configuration des réglages	12
Liaison du système (LINK)	15

Divers

Précautions	16
Technologie sans fil BLUETOOTH	18
Dépannage	20
Composants et commandes	24
Caractéristiques	30

Consultez le Guide de démarrage fourni pour en savoir plus sur la configuration et les opérations de base.

Installation de la barre de haut-parleurs sur un mur

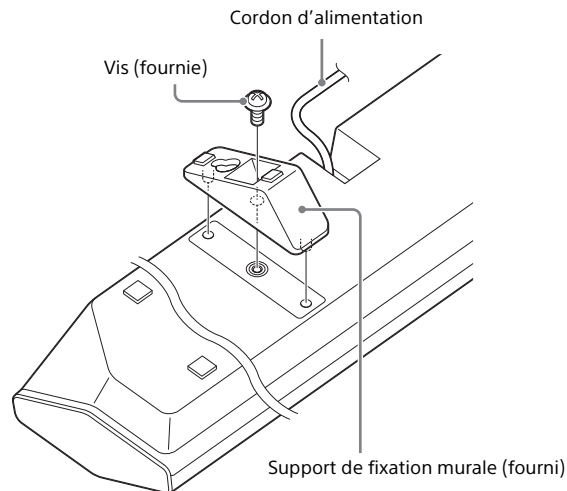
Vous pouvez installer la barre de haut-parleurs sur le mur.

Remarques

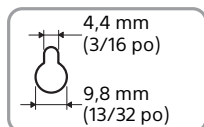
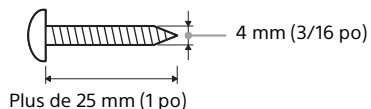
- Utilisez des vis (non fournies) adaptées au matériau et à la résistance du mur. Comme les plaques de plâtre sont particulièrement fragiles, fixez fermement les vis avec deux boulons à une poutre du mur. Installez la barre de haut-parleurs horizontalement, accrochée par des vis dans des boulons sur une partie plate continue du mur.
- Veillez à confier l'installation à des revendeurs ou à des installateurs agréés Sony et portez une attention particulière aux consignes de sécurité pendant l'installation.
- Sony ne peut être tenu responsable des accidents ou dégâts occasionnés par une mauvaise installation, une résistance insuffisante du mur, une mauvaise fixation des vis, une catastrophe naturelle, etc.

1 Insérez les supports de fixation murale fournis dans les trous sous la barre de haut-parleurs avec les vis fournies comme indiqué sur l'illustration.

Insérez les deux supports de fixation murale dans les trous gauche et droit sous la barre de haut-parleurs.



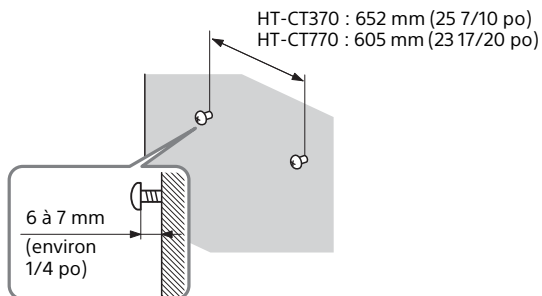
2 Utilisez des vis (non fournies) adaptées aux trous à l'arrière des supports de fixation murale.



Trou sur le support de fixation murale

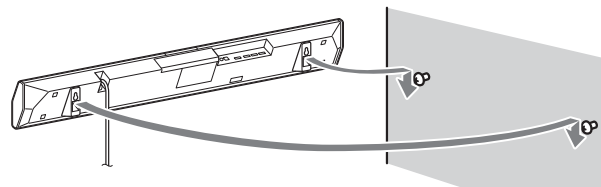
3 Fixez les vis avec deux boulons au mur.

Les vis doivent dépasser de 6 à 7 mm (environ 1/4 po).



4 Accrochez les supports de fixation murale fixés sur la barre de haut-parleurs aux vis.

Alignez les trous des supports de fixation murale avec les vis, puis suspendez la barre de haut-parleurs aux deux vis.



Conseil

La barre de haut-parleurs détecte automatiquement si elle est montée sur un mur ou placée à plat et elle optimise le son selon son orientation.

Réglage de la fonction Commande pour HDMI

En utilisant la fonction Commande pour HDMI et en connectant un appareil compatible avec la fonction Commande pour HDMI via un câble HDMI haut débit, le fonctionnement est simplifié pour les fonctions indiquées ci-dessous.

La fonction Commande pour HDMI est activée en réglant « CTRL (Commande pour HDMI) » sur « ON » (page 13). Le réglage par défaut est « ON ».

Mise hors tension du système

Lorsque vous mettez le téléviseur hors tension, le système et l'appareil raccordé sont mis hors tension automatiquement.

Commande du son du système

Si vous mettez le système sous tension pendant que vous regardez le téléviseur, le son du téléviseur est émis par les haut-parleurs du système. Le volume du système est réglé lorsque vous réglez le volume à l'aide de la télécommande du téléviseur.

Si le son du téléviseur était émis par les haut-parleurs du système la dernière fois que vous avez regardé le téléviseur, le système s'allume automatiquement lors de la mise sous tension du téléviseur.

Canal de retour audio (ARC)

Si le téléviseur est compatible avec la technologie du canal de retour audio (ARC), un raccordement à l'aide d'un câble HDMI haut débit envoie également des signaux audio numériques du téléviseur au système. Pour écouter le son du téléviseur à partir du système, il n'est pas nécessaire de procéder à un raccordement audio distinct.

La fonction ARC est activée en réglant « ARC (Canal de retour audio) » sur « ON » (page 13). Le réglage par défaut est « ON ».

Lecture une seule touche

Lors de l'activation de l'appareil (lecteur Blu-ray Disc™, « PlayStation®4 », etc.) raccordé au système par un câble HDMI haut débit, le téléviseur connecté est automatiquement mis sous tension, et le signal d'entrée du système est modifié pour l'entrée HDMI appropriée.

Remarques

- Les fonctionnalités ci-dessus peuvent ne pas fonctionner avec certains appareils.
- En fonction des paramètres de l'appareil raccordé, la fonction Commande pour HDMI peut ne pas fonctionner correctement. Reportez-vous au mode d'emploi de l'appareil.

Utilisation des fonctions « BRAVIA » Sync

Les fonctions Sony originales répertoriées ci-dessous peuvent également être utilisées avec des produits compatibles avec « BRAVIA » Sync.

Économie d'énergie

Si un téléviseur compatible « BRAVIA » Sync est raccordé au système, vous pouvez réduire la consommation électrique en mode veille en arrêtant la transmission du signal HDMI lorsque le téléviseur est éteint avec la fonction de transmission* du système réglée sur « AUTO » (page 13).

Le réglage par défaut est « AUTO ».

Si un autre téléviseur non « BRAVIA » est raccordé, réglez la fonction sur « ON » (page 13).

* La fonction de transmission des signaux HDMI est utilisée pour émettre les signaux provenant de la prise HDMI OUT de ce système même s'il est en mode veille.

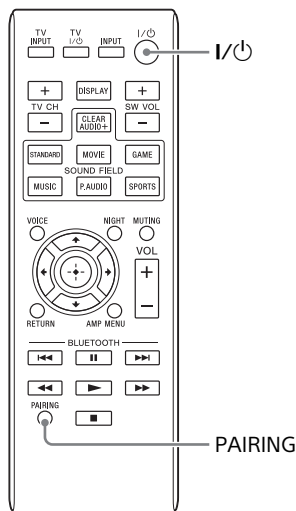
Remarques sur les connexions HDMI

- Utilisez un câble HDMI haut débit. Si vous utilisez un câble HDMI standard, les images 1080p, Deep Color, 3D et 4K risquent de ne pas s'afficher correctement.
- Utilisez un câble compatible HDMI. Utilisez un câble HDMI haut débit Sony avec le logo du type de câble.
- Il est déconseillé d'utiliser un câble de conversion HDMI-DVI.
- Si la qualité d'image est médiocre ou si le son n'est pas émis par un appareil raccordé à l'aide du câble HDMI, vérifiez la configuration de cet appareil.
- Il est possible que les signaux audio (fréquence d'échantillonnage, longueur binaire, etc.) transmis par une prise HDMI soient supprimés par l'appareil raccordé.

- Le son peut être interrompu en cas de modification de la fréquence d'échantillonnage ou du nombre de canaux des signaux de sortie audio provenant de l'appareil utilisé pour la lecture.
- Si l'appareil raccordé n'est pas compatible avec la technologie de protection des droits d'auteur (HDCP), l'image et/ou le son provenant de la prise HDMI OUT de ce système peuvent être déformés ou absents. Dans ce cas, vérifiez les caractéristiques de l'appareil raccordé.
- Lorsque « TV » est sélectionné comme source d'entrée du système, les signaux vidéo émis par l'une des prises HDMI IN 1/2/3 sélectionnées lors de la dernière utilisation sont émis depuis la prise HDMI OUT.
- Ce système prend en charge la transmission Deep Color, « x.v.Color », 3D et 4K.
- Pour profiter d'images 3D, raccordez un téléviseur compatible 3D et un appareil vidéo (lecteur Blu-ray Disc, « PlayStation®4 », etc.) au système à l'aide de câbles HDMI haut débit, mettez des lunettes 3D, puis activez la lecture du Blu-ray Disc compatible etc.
- Pour profiter d'images 4K, le téléviseur et les lecteurs raccordés au système doivent être compatibles avec les images 4K.

Contrôle du système à l'aide d'un smartphone ou d'une tablette (SongPal)

« SongPal » est l'application qui vous permet de faire fonctionner le système avec votre smartphone ou tablette, etc.
« SongPal » est disponible depuis Google Play™ ou App Store.
Cette fonction est activée en réglant « BT PWR (Activation BLUETOOTH) » sur « ON » (page 13). Le réglage par défaut est « ON ».

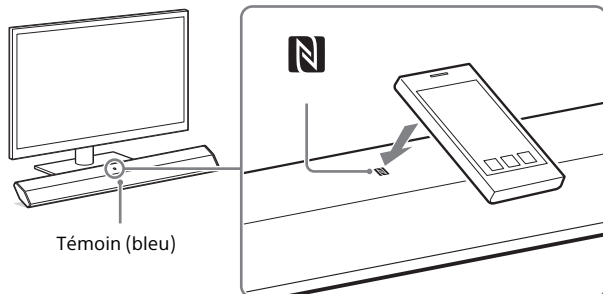


Utilisation d'un appareil Android™

- 1 Appuyez sur le bouton I/O (marche/arrêt) de la télécommande.**
L'écran de la barre de haut-parleurs s'allume.
- 2 Recherchez « SongPal » avec l'appareil Android et téléchargez cette application.**
- 3 Exécutez « SongPal » et suivez les instructions à l'écran.**
- 4 Une fois que l'écran de connexion BLUETOOTH apparaît sur l'appareil Android, appuyez sur le bouton PAIRING de la télécommande.**
Le témoin (bleu) clignote rapidement pendant l'appairage BLUETOOTH.
- 5 Sélectionnez « SONY:HT-CT370 » ou « SONY:HT-CT770 » dans la liste d'appareils BLUETOOTH de l'appareil Android.**
Une fois la connexion établie, le témoin (bleu) de la barre de haut-parleurs s'allume.
- 6 Faites fonctionner le système avec l'écran de l'appareil Android connecté.**

Connexion une seule touche à l'aide de l'appareil Android avec la fonction NFC intégrée (NFC)

- 1 Effectuez les étapes 1 à 3 de la section « Utilisation d'un appareil Android ».
- 2 Une fois que l'écran de connexion BLUETOOTH apparaît sur l'appareil Android, mettez l'appareil Android au contact de la barre de haut-parleurs sur la marque N.
Une fois la connexion établie, le témoin (bleu) de la barre de haut-parleurs s'allume.



- 3 Faites fonctionner le système avec l'écran de l'appareil Android.

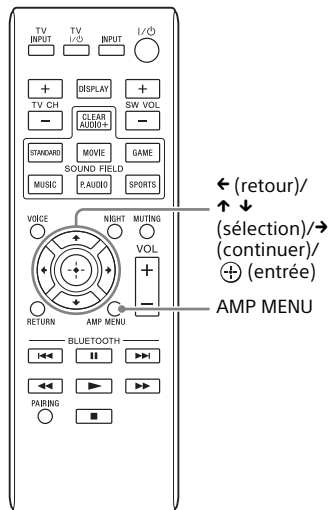
Utilisation d'un iPhone/iPod touch

- 1 Appuyez sur le bouton I/⏻ (marche/arrêt) de la télécommande.
L'écran de la barre de haut-parleurs s'allume.
- 2 Appuyez sur le bouton PAIRING de la télécommande.
Le témoin (bleu) de la barre de haut-parleurs clignote rapidement pendant l'appairage BLUETOOTH.
- 3 Réglez l'iPhone/iPod touch sur le mode d'appairage et sélectionnez « SONY:HT-CT370 » ou « SONY:HT-CT770 » dans la liste d'appareils BLUETOOTH sur l'iPhone/iPod touch.
Une fois la connexion établie, le témoin (bleu) de la barre de haut-parleurs s'allume.
- 4 Recherchez « SongPal » avec l'iPhone/iPod touch connecté et téléchargez cette application.
- 5 Exécutez « SongPal » et faites fonctionner le système avec l'écran de l'iPhone/iPod touch.

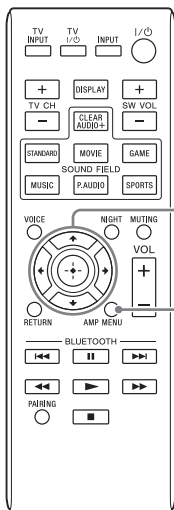
Configuration des réglages

Vous pouvez régler les paramètres suivants avec le bouton AMP MENU de la télécommande. Vos réglages sont gardés en mémoire, même si vous débranchez le cordon d'alimentation.

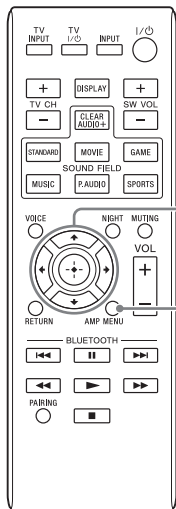
- 1 Appuyez sur le bouton AMP MENU de la télécommande pour afficher la fenêtre du menu de l'amplificateur sur l'écran de la barre de haut-parleurs.
- 2 Sélectionnez le réglage souhaité à l'aide des boutons ← (retour)/↑ ↓ (sélection)/→ (continuer) et appuyez sur le bouton ⊕ (entrée).
- 3 Appuyez sur le bouton AMP MENU pour quitter la fenêtre du menu de l'amplificateur.



Menu		Fonction	Par défaut
LEVEL	DRC (Commande de portée dynamique)	Vous pouvez profiter du son Dolby Digital lorsque le volume sonore est faible. (ON/AUTO/OFF) ON : compresse le son en fonction des informations de compression présentes dans le contenu. AUTO : compresse automatiquement le son encodé en Dolby TrueHD. OFF : le son n'est pas compressé.	AUTO
	TONE	BASS Le son faible est accentué. Le réglage va de -6 à +6 par incrément de 1.	0
	TREBLE Le son fort est accentué. Le réglage va de -6 à +6 par incrément de 1.		0
AUDIO	SYNC (sync. AV)	Vous pouvez régler le son lorsque l'image et le son ne sont pas synchronisés. (ON/OFF)	OFF
	DUAL (Dual mono)	Vous pouvez écouter un son diffusé en multiplex d'une source audio Dolby Digital. (M/S (canal principal et canal secondaire)/MAIN (canal principal)/SUB (canal secondaire))	MAIN
	AAV (Volume audio avancé)	Réduit les décalages sonores entre les différents programmes ou entre les programmes et les publicités. (ON/OFF)	OFF
	EFFECT (Effet sonore)	ON : le son du champ acoustique sélectionné est lu. L'utilisation de ce réglage est recommandée. OFF : le mixage de la source d'entrée est réduit pour 2 canaux. Remarque : lorsque « EFFECT (Effet sonore) » est réglé sur « OFF », « EFFECT (Effet sonore) » est automatiquement réglé sur « ON » lorsque vous changez le réglage SOUND FIELD.	ON



Menu	Fonction	Par défaut	
HDMI	CTRL (Commande pour HDMI)	Pour activer ou désactiver la fonction Commande pour HDMI. (ON/OFF) Reportez-vous à la section « Réglage de la fonction Commande pour HDMI » (page 8) pour plus de détails.	ON
	P. THRU (Transmission)	Pour régler le mode d'économie d'énergie de la fonction de transmission des signaux HDMI. (AUTO/ON) AUTO : laisse passer les signaux provenant de la prise HDMI OUT du système en mode veille en fonction de l'état du téléviseur. Ce réglage permet d'économiser de l'énergie en mode veille par rapport au réglage « ON ». ON : laisse toujours passer les signaux provenant de la prise HDMI OUT en mode veille. Si un autre téléviseur non « BRAVIA » est raccordé, utilisez le système avec le réglage « ON ». Remarque : cet élément apparaît uniquement lorsque « CTRL (Commande pour HDMI) » est réglé sur « ON ».	AUTO
	ARC (Canal de retour audio)	Pour écouter le son numérique d'un téléviseur compatible avec la technologie du canal de retour audio (ARC) raccordé via un câble HDMI haut débit. (ON/OFF) Remarque : cet élément apparaît uniquement lorsque « CTRL (Commande pour HDMI) » est réglé sur « ON ».	ON
SET BT	BT PWR (Activation BLUETOOTH)	Pour activer ou désactiver la fonction BLUETOOTH de ce système. (ON/OFF) Remarque : si vous changez le réglage sur « OFF », les fonctions BLUETOOTH et NFC sont désactivées.	ON
	BT.STBY (Veille BLUETOOTH)	Lorsque le système dispose d'informations d'appairage, le système est en mode veille BLUETOOTH même lorsqu'il est hors tension. (ON/OFF)	ON
	AAC (Codage audio avancé)	Pour définir si le système doit utiliser AAC par BLUETOOTH ou non. (ON/OFF) Remarque : si vous modifiez le réglage lorsque le système est connecté à un dispositif BLUETOOTH, le système sera déconnecté du dispositif.	ON
SYSTEM	A. STBY (Veille auto)	Pour activer ou désactiver la fonction AUTO POWER OFF. (ON/OFF) Le système se met automatiquement hors tension lorsque vous ne l'utilisez pas depuis un certain temps (environ 20 minutes) et qu'il ne reçoit pas de signal d'entrée.	ON
	VER (Version)	Pour afficher la version du micrologiciel actuel.	-
	SYS.RST (Redémarrage à froid du système)	Pour réinitialiser les menus et les réglages (champs acoustiques, etc.) du système sur l'état initial lorsqu'il ne fonctionne pas correctement. Reportez-vous à la section « Dépannage » (page 23) pour plus de détails.	-

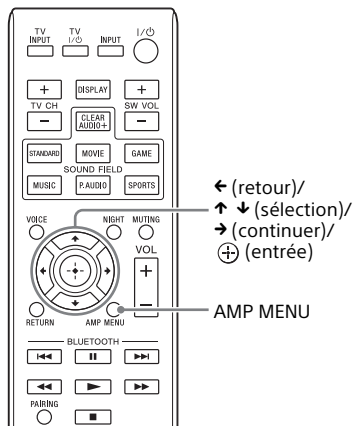


← (retour)/
 ↑ ↓
 (sélection)/→
 (continuer)/
 ⊕ (entrée)

AMP MENU

Menu		Fonction	Par défaut
WS	LINK	Pour lier de nouveau le système audio sans fil (page 15).	-
	RF CHK	Pour vérifier si le système audio sans fil du système peut communiquer ou non. (OK/NG)	-

Liaison du système (LINK)



Réglez de nouveau la connexion du caisson de graves sans fil.

1 Appuyez sur le bouton AMP MENU de la télécommande.

2 Sélectionnez « WS » avec le bouton ↑ ↓ (sélection) et appuyez sur le bouton ⊕ (entrée) ou → (continuer).

3 Sélectionnez « LINK » avec le bouton ↑ ↓ (sélection) et appuyez sur le bouton ⊕ (entrée) ou → (continuer).

4 Lorsque « START » apparaît sur l'écran de la barre de haut-parleurs, appuyez sur le bouton ⊕ (entrée).

« SEARCH » apparaît et la barre de haut-parleurs recherche les appareils pouvant être utilisés avec Link. Passez à l'étape suivante en moins 1 minute.

Pour quitter la fonction Link lors d'une recherche d'appareils, appuyez sur le bouton ← (retour).

5 Appuyez sur le bouton LINK sur le caisson de graves avec la pointe d'un stylo, etc.

Le témoin marche/arrêt du caisson de graves s'allume en vert.

« OK » apparaît sur l'écran de la barre de haut-parleurs.

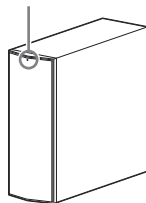
Si « FAILED » apparaît, vérifiez que le caisson de graves est sous tension et répétez le processus depuis l'étape 1.

6 Appuyez sur le bouton AMP MENU.

Le menu de l'amplificateur est mis hors tension.

Témoin marche/arrêt

HT-CT370

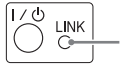
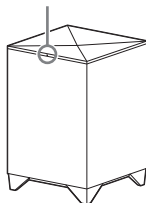


Bouton LINK



Témoin marche/arrêt

HT-CT770



Bouton LINK

Précautions

Concernant la sécurité

- Si un objet ou du liquide venait à pénétrer à l'intérieur du système, débranchez-le et faites-le vérifier par un technicien qualifié avant de le remettre en marche.
- Il est interdit de marcher sur la barre de haut-parleurs et le caisson de graves, car cela pourrait entraîner une chute et des blessures ou endommager le système.

Concernant les sources d'alimentation

- Avant de mettre en marche le système, vérifiez que la tension de fonctionnement est identique à celle de votre source d'alimentation locale. La tension de fonctionnement est indiquée sur l'étiquette située sous la barre de haut-parleurs.
- Si vous prévoyez de ne pas utiliser le système pendant une période prolongée, assurez-vous de le débrancher de la prise murale. Pour débrancher le cordon d'alimentation, tirez sur la fiche et non sur le cordon.
- Pour des raisons de sécurité, l'une des broches de la fiche est plus large que l'autre et elle s'insère dans la prise murale dans un seul sens. Si vous ne parvenez pas à insérer la fiche à fond dans la prise, contactez votre revendeur.
- Le cordon d'alimentation doit être remplacé uniquement dans un centre de service après-vente qualifié.

Concernant l'accumulation de chaleur

Bien que le système chauffe lors du fonctionnement, il ne s'agit pas d'un dysfonctionnement. Si vous utilisez le système continuellement à un volume élevé, la température augmente considérablement au niveau de ses faces arrière et inférieure. Pour éviter de vous brûler, ne touchez pas le système.

Concernant l'emplacement

- Installez le système dans un endroit correctement ventilé pour éviter l'accumulation de chaleur et prolonger la durée de vie de votre système.
- N'installez pas le système à proximité de sources de chaleur ou dans un endroit soumis aux rayons du soleil, à une poussière excessive ou à des chocs mécaniques.
- Ne mettez rien sur barre de haut-parleurs ou sur le caisson de graves qui pourrait bloquer les trous de ventilation et causer des dysfonctionnements.
- Si le système est utilisé conjointement avec un téléviseur, un magnétoscope ou un magnétophone, cela peut provoquer des parasites et diminuer la qualité de l'image. Dans ce cas, placez le système loin du téléviseur, du magnétoscope ou du magnétophone.
- Faites attention lorsque vous installez le système sur une surface traitée (avec de la cire, de l'huile, etc.), car vous risquez de la tacher et de la décolorer.
- Évitez de vous blesser sur les coins de la barre de haut-parleurs et du caisson de graves.

Concernant le fonctionnement

Avant de raccorder un autre appareil, assurez-vous d'éteindre et de débrancher le système.

Si l'écran du téléviseur situé à proximité présente des irrégularités de couleurs

Des irrégularités de couleurs peuvent être constatées sur certains types de téléviseurs.

En cas d'irrégularités de couleurs...

Mettez le téléviseur hors tension, puis remettez-le sous tension après 15 à 30 minutes.

En cas d'irrégularités de couleurs persistantes...

Éloignez davantage le système du téléviseur.

Concernant l'entretien

Nettoyez le système avec un chiffon sec et doux. N'utilisez pas de tampons abrasifs, de poudre à récurer ou de solvant tel que de l'alcool ou de la benzine.

Si vous avez des questions ou si vous rencontrez des problèmes avec votre système, consultez votre revendeur Sony le plus proche.

Copyrights

Ce système intègre les technologies Dolby* Digital et DTS** Digital Surround System.

- * Fabriqué sous licence de Dolby Laboratories. Dolby et le symbole double-D sont des marques commerciales de Dolby Laboratories.
- ** Fabriqué sous licence des brevets américains suivants: 5 956 674; 5 974 380; 6 226 616; 6 487 535; 7 212 872; 7 333 929; 7 392 195; 7 272 567 ainsi que d'autres brevets délivrés ou en instance aux États-Unis et dans le monde. DTS-HD, le symbole et DTS-HD et le symbole associés sont des marques déposées de DTS, Inc. Ce produit comprend un logiciel. © DTS, Inc. Tous droits réservés.

Le terme et les logos BLUETOOTH® sont des marques déposées appartenant à Bluetooth SIG, Inc. et tout usage de ces marques par Sony Corporation s'inscrit dans le cadre d'une licence.

Ce système intègre la technologie High-Definition Multimedia Interface (HDMI™). Les termes HDMI et HDMI High-Definition Multimedia Interface, et le logo HDMI sont des marques commerciales ou des marques déposées de HDMI Licensing LLC aux États-Unis et dans d'autres pays.

Le logo « BRAVIA » est une marque commerciale de Sony Corporation.

« DSEE » est une marque commerciale de Sony Corporation.

« x.v.Color » et le logo « x.v.Color » sont des marques commerciales de Sony Corporation.

« PlayStation® » est une marque déposée de Sony Computer Entertainment Inc.

N Mark est une marque commerciale ou une marque déposée de NFC Forum, Inc. aux États-Unis et dans d'autres pays. Android et Google Play sont des marques commerciales de Google Inc.

« ClearAudio+ » est une marque commerciale de Sony Corporation.

Apple, le logo Apple, iPhone, iPod et iPod touch sont des marques commerciales d'Apple Inc., déposées aux États-Unis et dans d'autres pays. App Store est une marque de service d'Apple Inc.



« Made for iPod » et « Made for iPhone » signifient qu'un accessoire électronique a été conçu spécifiquement pour se connecter à un iPod ou un iPhone, respectivement, et que le développeur certifie qu'il répond aux normes de performance d'Apple. Apple n'est pas responsable du fonctionnement de cet appareil ou de sa conformité avec les normes de sécurité et de réglementation. Notez que l'utilisation de cet accessoire avec un iPod ou un iPhone peut affecter les performances sans fil.

Conçu pour des modèles d'iPod/iPhone

Les modèles d'iPod/iPhone compatibles sont les suivants. Mettez à jour votre iPod/iPhone avec le dernier logiciel avant de l'utiliser avec le système.

La technologie BLUETOOTH fonctionne avec :

- iPhone
iPhone 5s/iPhone 5c/iPhone 5/iPhone 4s/iPhone 4/iPhone 3GS
- iPod touch
iPod touch (5e génération)/iPod touch (4e génération)

Les autres marques commerciales et noms de marques appartiennent à leurs propriétaires respectifs.

Technologie sans fil BLUETOOTH

Version et profils BLUETOOTH pris en charge

Le profil fait référence à une série standard de fonctions pour les diverses fonctions de produit BLUETOOTH. Reportez-vous à la section « Caractéristiques » (page 30) sur la version et les profils BLUETOOTH pris en charge par ce système.

Remarques

- Pour pouvoir utiliser la fonction BLUETOOTH, le dispositif BLUETOOTH à raccorder doit prendre en charge le même profil que ce système. Même si le dispositif prend en charge le même profil, les fonctions peuvent différer à cause des caractéristiques du dispositif BLUETOOTH.
- La lecture du son sur ce système pourrait être retardée de celle sur le dispositif BLUETOOTH à cause des caractéristiques de la technologie sans fil BLUETOOTH.

Portée efficace de communication

Les dispositifs BLUETOOTH devraient être éloignés d'au maximum 10 mètres (33 pieds) (distance dégagée) les uns des autres. La portée efficace de communication peut être plus courte dans les conditions suivantes :

- Lorsqu'une personne, un objet métallique, un mur ou une autre obstruction est situé entre les dispositifs avec une connexion BLUETOOTH
- Dans les lieux où un réseau local sans fil est installé
- Autour de fours à micro-ondes en cours d'utilisation
- Dans des lieux où d'autres ondes électromagnétiques sont générées

Les effets d'autres dispositifs

Les dispositifs BLUETOOTH et l'équipement de réseau local sans fil (IEEE 802.11b/g) utilisent la même bande de fréquence (2,4 GHz). Lorsque vous utilisez votre dispositif BLUETOOTH près d'un dispositif disposant d'une capacité de réseau local sans fil, des interférences électromagnétiques peuvent se produire.

Ceci pourrait causer une réduction des taux de transfert de données, des parasites ou l'incapacité de se raccorder. Si ceci se produit, essayez les solutions suivantes :

- Raccordez ce système et un téléphone portable BLUETOOTH ou un dispositif BLUETOOTH en vous positionnant à au moins 10 mètres (33 pieds) de l'équipement de réseau local sans fil.
- Coupez l'alimentation de l'équipement de réseau local sans fil lorsque vous utilisez votre dispositif BLUETOOTH à moins de 10 mètres (33 pieds).

Les effets sur d'autres dispositifs

L'émission d'ondes radio par ce système peut interférer avec le fonctionnement de certains dispositifs médicaux. Puisque cette interférence peut causer un dysfonctionnement, coupez toujours l'alimentation de ce système, d'un téléphone portable BLUETOOTH ou d'un dispositif BLUETOOTH dans les emplacements suivants :

- Dans les hôpitaux, les trains, les avions, les stations-services et à n'importe quel endroit où des gaz inflammables peuvent être présents
- Près des portes automatiques ou des alarmes d'incendie

Remarques

- Ce système prend en charge des fonctions de sécurité qui se conforment à la norme BLUETOOTH, il s'agit d'un moyen de garantir la sécurité lors des communications utilisant la technologie BLUETOOTH. Toutefois, cette sécurité peut être insuffisante, selon les réglages et d'autres facteurs. Faites donc toujours attention lorsque vous communiquez avec la technologie BLUETOOTH.
- Sony ne peut pas être tenu responsable de quelque façon que ce soit pour les dommages ou d'autres pertes résultant de fuites d'informations pendant l'utilisation de la technologie de communication BLUETOOTH.
- La communication BLUETOOTH n'est pas nécessairement garantie avec tous les dispositifs BLUETOOTH qui ont le même profil que ce système.
- Les dispositifs BLUETOOTH raccordés avec ce système doivent se conformer à la norme BLUETOOTH prescrite par le Bluetooth SIG, Inc. et doivent être certifiés conformes. Toutefois, même lorsqu'un dispositif se conforme à la norme BLUETOOTH, dans certains cas, les particularités ou les caractéristiques du dispositif BLUETOOTH rendent le

raccordement impossible, ou peuvent causer différentes méthodes de contrôle, d'affichage ou de fonctionnement.

- Des parasites peuvent se produire ou le son peut se couper en fonction du dispositif BLUETOOTH raccordé à ce système, de l'environnement de communication ou des conditions environnantes.

Dépannage

Si vous rencontrez l'une des difficultés suivantes lors de l'utilisation de ce système, consultez ce guide de dépannage pour tenter de résoudre le problème. Si le problème persiste, consultez votre revendeur Sony le plus proche.

Lorsque vous demandez une réparation, apportez la barre de haut-parleurs et le caisson de graves, même si un seul élément semble présenter une panne.

ALIMENTATION

Le système ne s'allume pas.

→ Vérifiez que le cordon d'alimentation est correctement raccordé.

Le système se met automatiquement hors tension.

→ La fonction « A. STBY » est activée. Réglez « A. STBY (Veille auto) » sur « OFF » (page 13).

SON

Le système n'émet aucun son provenant du téléviseur.

→ Appuyez plusieurs fois sur le bouton INPUT de la télécommande pour afficher « TV » sur l'écran (consultez la section « Écoute de la source audio du téléviseur » du Guide de démarrage fourni).

→ Vérifiez le raccordement du câble HDMI, du câble numérique optique ou du câble audio connecté au système et au téléviseur (consultez la section « Raccordement » du Guide de démarrage fourni).

→ Vérifiez la sortie audio du téléviseur. Consultez le mode d'emploi du téléviseur pour voir ses réglages.

→ Montez le volume du téléviseur ou annulez la fonction de mise en sourdine.

→ Lorsqu'un téléviseur compatible avec la technologie du canal de retour audio (ARC) est raccordé avec un câble HDMI, vérifiez que le câble est connecté à la prise d'entrée HDMI (ARC) du téléviseur (consultez la section « Raccordement » du Guide de démarrage fourni).

→ Si le téléviseur n'est pas compatible avec la technologie du canal de retour audio (ARC), connectez le câble numérique optique en plus du câble HDMI pour pouvoir émettre du son (consultez la section « Raccordement » du Guide de démarrage fourni).

Le système et le téléviseur reproduisent le son.

→ Éteignez le son du système ou du téléviseur.

Le son du téléviseur de ce système est en retard sur l'image.

→ Réglez « SYNC (Sync. AV) » sur « OFF » s'il est réglé sur « ON » (page 12).

La barre de haut-parleurs ne reproduit aucun son ou ne reproduit que très faiblement le son provenant de l'appareil raccordé à la barre de haut-parleurs.

→ Appuyez sur le bouton VOL + de la télécommande et vérifiez le niveau de volume (reportez-vous à la section « Composants et commandes » (page 24)).

→ Appuyez sur le bouton MUTE ou VOL + de la télécommande pour annuler la fonction de mise en sourdine (reportez-vous à la section « Composants et commandes » (page 28)).

→ Assurez-vous que la source d'entrée est correctement sélectionnée. Vous devez essayer d'autres sources d'entrée en appuyant plusieurs fois sur le bouton INPUT de la télécommande (consultez la section « Écoute du son » du Guide de démarrage fourni).

→ Vérifiez que tous les câbles et cordons du système et de l'appareil raccordé sont complètement insérés.

Le caisson de graves ne reproduit aucun son ou ne reproduit que très faiblement le son.

→ Appuyez sur le bouton SW VOL + de la télécommande pour augmenter le volume du caisson de graves (reportez-vous à la section « Composants et commandes » (page 28)).

→ Assurez-vous que le témoin marche/arrêt sur le caisson de graves est allumé en vert. Si ce n'est pas le cas, reportez-vous à la section « Le caisson de graves n'émet aucun son. » dans « SON SANS FIL » (page 21).

→ Un caisson de graves permet de reproduire les sons graves. En cas de sources d'entrée contenant très peu de composants sonores

graves (par exemple, une émission de télévision), il peut s'avérer difficile d'entendre le son du caisson de graves.

- Lors de la lecture de contenu compatible avec la technologie de protection des droits d'auteur (HDCP), le son n'est pas émis par le caisson de graves.

Vous n'arrivez pas à obtenir les effets surround.

- Selon le signal d'entrée et le réglage du champ acoustique, le traitement du son surround peut ne pas fonctionner correctement. L'effet surround peut être subtil selon le programme ou le disque en cours de lecture.
- Pour lire un son multicanaux, vérifiez le réglage de sortie du son numérique sur l'appareil raccordé au système. Pour plus d'informations, reportez-vous au mode d'emploi qui accompagne l'appareil raccordé.

BLUETOOTH

La connexion BLUETOOTH ne peut pas être finalisée.

- Assurez-vous que le témoin (bleu) de la barre de haut-parleurs est allumé (consultez la section « Écoute du son depuis des dispositifs BLUETOOTH » dans le Guide de démarrage fourni).

État du système	État du témoin (bleu)
Pendant l'appairage BLUETOOTH	Clignote rapidement
Le système tente de se connecter à un dispositif BLUETOOTH.	Clignote
Le système a établi une connexion avec un dispositif BLUETOOTH.	Allumé
Le système est en mode veille BLUETOOTH (lorsque le système est hors tension).	Éteint

- Assurez-vous que le dispositif BLUETOOTH à connecter est bien sous tension et que la fonction BLUETOOTH est activée.
- Rapprochez le système et le dispositif BLUETOOTH.
- Appairez de nouveau le système et le dispositif BLUETOOTH. Vous devez peut-être d'abord annuler l'appairage avec ce système à l'aide de votre dispositif BLUETOOTH.

L'appairage ne fonctionne pas.

- Rapprochez ce système et le dispositif BLUETOOTH (consultez la section « Écoute du son depuis des dispositifs BLUETOOTH » du Guide de démarrage fourni).
- Assurez-vous que ce système ne reçoit pas d'interférences provenant d'un équipement de réseau local sans fil, d'autres dispositifs sans fil 2,4 GHz ou d'un four à micro-ondes. Si un dispositif générant des radiations électromagnétiques est situé à proximité, éloignez le dispositif de ce système.

Le dispositif BLUETOOTH connecté n'émet aucun son.

- Assurez-vous que le témoin (bleu) de la barre de haut-parleurs est allumé (consultez la section « Écoute du son depuis des dispositifs BLUETOOTH » dans le Guide de démarrage fourni).
- Rapprochez le système et le dispositif BLUETOOTH.
- Si un dispositif générant des radiations électromagnétiques, tel qu'un équipement de réseau local sans fil, d'autres dispositifs BLUETOOTH ou un four à micro-ondes, est situé à proximité, éloignez le dispositif de ce système.
- Retirez tout obstacle pouvant se trouver entre le système et le dispositif BLUETOOTH ou éloignez le système de cet obstacle.
- Repositionnez le dispositif BLUETOOTH connecté.
- Essayez de régler la fréquence sans fil du routeur Wi-Fi, de l'ordinateur, etc. sur la bande 5 GHz.
- Montez le volume du dispositif BLUETOOTH connecté.

Le son n'est pas synchronisé avec l'image.

- Lors du visionnage d'un film, vous pourriez constater un décalage entre le son et l'image.

SON SANS FIL

Le caisson de graves n'émet aucun son.

- Vérifiez que le cordon d'alimentation du caisson de graves est correctement raccordé. (Consultez la section « Mise sous tension du système » dans le Guide de démarrage fourni.)

- Le témoin marche/arrêt ne s'allume pas.
 - Vérifiez que le cordon d'alimentation du caisson de graves est correctement raccordé.
 - Appuyez sur le bouton I/⏻ (marche/arrêt) du caisson de graves pour le mettre sous tension.
- Le témoin marche/arrêt clignote lentement en vert ou s'allume en rouge.
 - Approchez le caisson de graves de la barre de haut-parleurs afin que le témoin marche/arrêt s'allume en vert.
 - Suivez les étapes de la section "Liaison du système (LINK)" (page 15).
 - Vérifiez l'état de la communication du système audio sans fil avec l'option « RF CHK » du menu de l'amplificateur (page 14).
- Le témoin marche/arrêt clignote rapidement en vert.
 - Consultez votre revendeur Sony le plus proche.
- Le témoin marche/arrêt clignote en rouge.
 - Appuyez sur le bouton I/⏻ (marche/arrêt) du caisson de graves pour le mettre hors tension et vérifiez si l'orifice de ventilation du caisson de graves est bien dégagé.
- Le caisson de graves est conçu pour reproduire les sons graves. Lorsque la source d'entrée contient très peu de sons graves, comme c'est le cas pour la plupart des émissions de télévision, les graves peuvent ne pas être audibles.
- Appuyez sur le bouton SW VOL + de la télécommande pour augmenter le volume du caisson de graves (reportez-vous à la section « Composants et commandes » (page 28)).

Le son présente des interruptions ou des parasites.

- Si un dispositif générant des ondes électromagnétiques, tel qu'un réseau local sans fil ou un four à micro-ondes en cours d'utilisation, se trouve à proximité, éloignez-le du système.
- Si un obstacle est présent entre la barre de haut-parleurs et le caisson de graves, déplacez-le ou retirez-le.
- Placez la barre de haut-parleurs et le caisson de graves aussi proches que possible.
- Réglez la fréquence de réseau local sans fil des routeurs Wi-Fi ou ordinateurs se trouvant à proximité sur la bande 5 GHz.

TÉLÉCOMMANDE

La télécommande de ce système ne fonctionne pas.

- Dirigez la télécommande vers le capteur de la télécommande situé sur la barre de haut-parleurs (reportez-vous à la section « Composants et commandes » (page 28)).
- Retirez tous les obstacles se trouvant entre la télécommande et le système.
- Si les piles de la télécommande sont usées, remplacez-les.
- Assurez-vous d'appuyer sur le bon bouton de la télécommande.

AUTRES

La fonction Commande pour HDMI ne fonctionne pas correctement.

- Vérifiez la connexion HDMI (consultez la section « Raccordement » du Guide de démarrage fourni).
- Réglez la fonction Commande pour HDMI sur le téléviseur. Consultez le mode d'emploi fourni avec le téléviseur pour connaître ses réglages.
- Assurez-vous que tout appareil raccordé est compatible avec « BRAVIA » Sync.
- Vérifiez les réglages de la Commande pour HDMI sur l'appareil raccordé. Consultez le mode d'emploi fourni avec l'appareil raccordé.
- Si vous connectez/déconnectez le cordon d'alimentation, attendez au moins 15 secondes pour faire fonctionner le système.
- Si vous raccordez la sortie audio de l'appareil vidéo au système à l'aide d'un câble autre qu'un câble HDMI, aucun son ne peut être émis en raison du « BRAVIA » Sync. Dans ce cas, réglez « CTRL (Commande pour HDMI) » sur « OFF » (page 13) ou connectez le câble de la prise de sortie audio de l'appareil vidéo directement au téléviseur.

« PRTECT (protéger) » apparaît sur l'écran de la barre de haut-parleurs.

- Appuyez sur le bouton I/⏻ (marche/arrêt) pour mettre le système hors tension. Lorsque l'indication a disparu, débranchez le cordon d'alimentation, puis vérifiez que les orifices de ventilation du système ne sont pas obstrués.

Les capteurs du téléviseur ne fonctionnent pas correctement.

→ La barre de haut-parleurs peut bloquer certains capteurs (tels que le capteur de luminosité) ainsi que le capteur de télécommande du téléviseur ou l'« émetteur pour lunettes 3D (transmission infrarouge) » d'un téléviseur 3D prenant en charge le système de lunettes 3D infrarouge. Éloignez la barre de haut-parleurs du téléviseur à une distance leur permettant de fonctionner correctement. Pour connaître l'emplacement des capteurs et du capteur de la télécommande, consultez le mode d'emploi fourni avec le téléviseur.

RÉINITIALISER

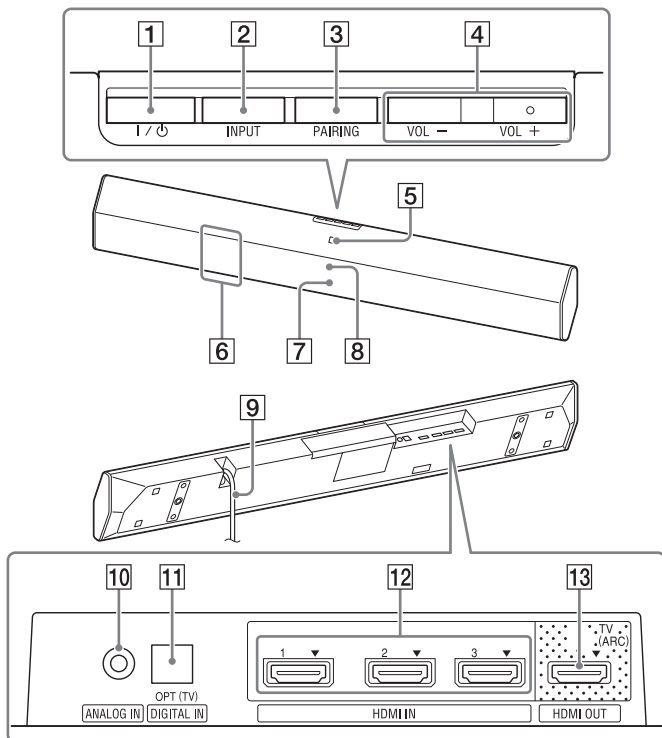
Si le système ne fonctionne toujours pas correctement, réinitialisez-le comme suit :

- 1 Appuyez sur le bouton I/⏻ (marche/arrêt) de la télécommande pour mettre la barre de haut-parleurs sous tension.**
- 2 Appuyez sur le bouton AMP MENU de la télécommande.**
- 3 Appuyez plusieurs fois sur le bouton ↑ ↓ (sélection) jusqu'à ce que « SYSTEM » apparaisse, puis appuyez sur le bouton ⊕ (entrée).**
- 4 Appuyez plusieurs fois sur le bouton ↑ ↓ (sélection) jusqu'à ce que « SYS.RST » apparaisse, puis appuyez sur le bouton ⊕ (entrée) (page 13).**
- 5 Appuyez sur le bouton ⊕ (entrée) après l'affichage de « START ».**
« RESET » apparaît sur l'écran et les réglages du menu et des champs acoustiques, etc. reviennent à leur état initial.
- 6 Déconnectez le cordon d'alimentation.**

Composants et commandes

HT-CT370

Barre de haut-parleurs



Avant/Haut

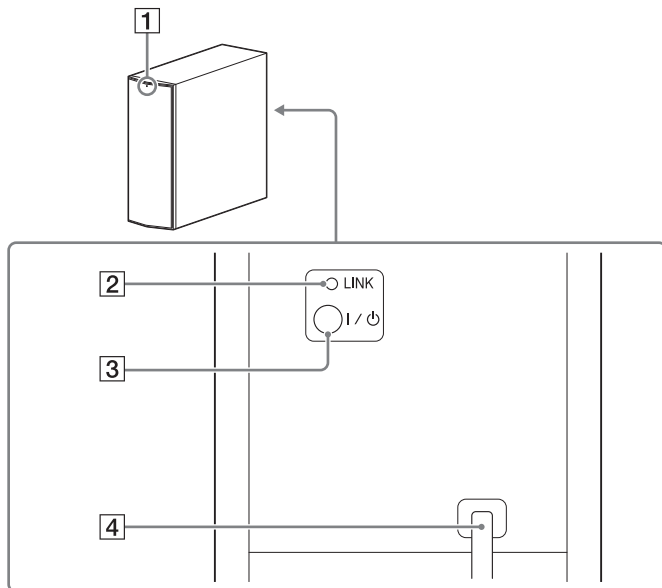
- 1 **Bouton I/⏻ (marche/arrêt)**
- 2 **Bouton INPUT**
- 3 **Bouton PAIRING**
- 4 **Boutons VOL (volume) +/-**
- 5 **Marque N**
Lorsque vous utilisez la fonction NFC, touchez votre appareil NFC sur la marque.
- 6 **Capteur de télécommande**
- 7 **Témoin**
 - Blanc : lorsque l'écran de la barre de haut-parleurs est éteint.
 - Bleu : mode BLUETOOTH (page 21)
- 8 **Écran**

Arrière/Bas

- 9 **Cordon d'alimentation**
- 10 **Prise ANALOG IN**
- 11 **Prise DIGITAL IN (OPT (TV))**
- 12 **Prises HDMI IN 1/2/3**
- 13 **Prise HDMI OUT (TV (ARC))**

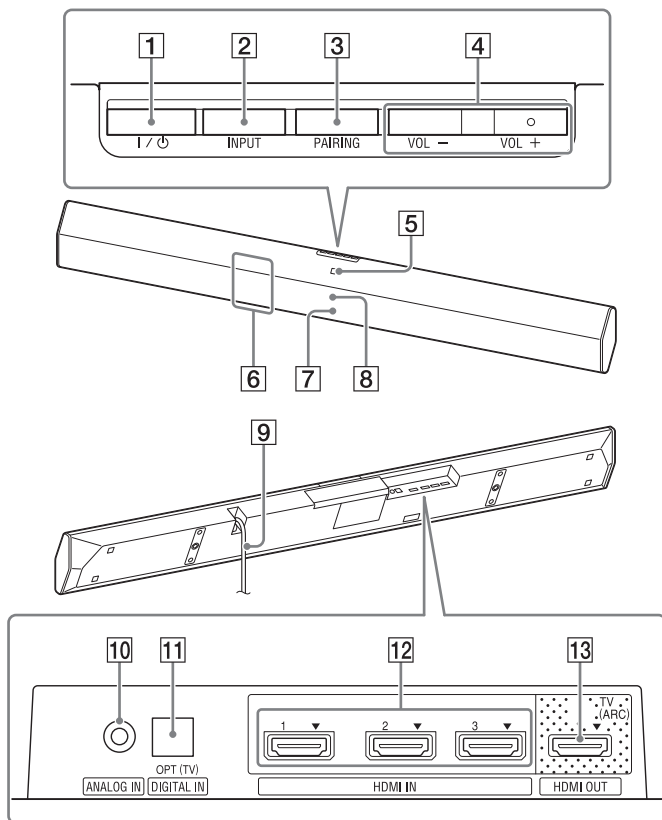
Caisson de graves

- 1 Témoign marche/arrêt
- 2 Bouton LINK
- 3 Bouton I / ⏻ (marche/arrêt)
- 4 Cordon d'alimentation



HT-CT770

Barre de haut-parleurs



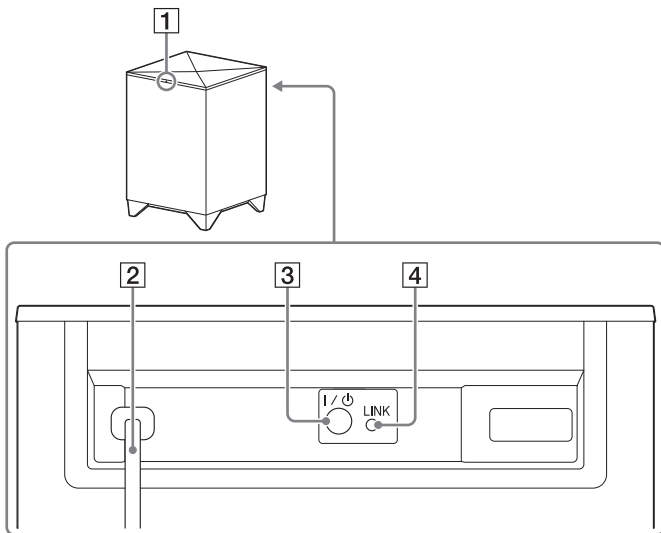
Avant/Haut

- 1 **Bouton I/⏻ (marche/arrêt)**
- 2 **Bouton INPUT**
- 3 **Bouton PAIRING**
- 4 **Boutons VOL (volume) +/-**
- 5 **Marque N**
Lorsque vous utilisez la fonction NFC, touchez votre appareil NFC sur la marque.
- 6 **Capteur de télécommande**
- 7 **Témoin**
 - Blanc : lorsque l'écran de la barre de haut-parleurs est éteint.
 - Bleu : mode BLUETOOTH (page 21)
- 8 **Écran**

Arrière/Bas

- 9 **Cordon d'alimentation**
- 10 **Prise ANALOG IN**
- 11 **Prise DIGITAL IN (OPT (TV))**
- 12 **Prises HDMI IN 1/2/3**
- 13 **Prise HDMI OUT (TV (ARC))**

Caisson de graves



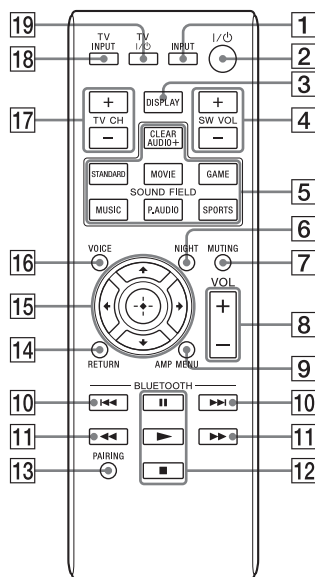
- 1 Témoïn marche/arrêt
- 2 Cordon d'alimentation
- 3 Bouton I/O (marche/arrêt)
- 4 Bouton LINK

Télécommande

La télécommande fournie peut contrôler le système et les appareils raccordés. Toutefois, elle ne peut pas contrôler certains appareils. Dans ce cas, utilisez la télécommande de l'appareil.

Remarque

Utilisez la télécommande en la dirigeant vers le capteur de télécommande de la barre de haut-parleurs.



Fonctionnement du système

- 1 **Bouton INPUT**
- 2 **Bouton I/O (marche/arrêt)**
- 3 **Bouton DISPLAY**
Pour modifier la luminosité (Lumineux/Sombre/Désactivé) de l'écran de la barre de haut-parleurs.
 - Lorsque la luminosité de l'écran est réglée sur « Désactivé », l'écran s'éteint après avoir affiché l'état d'exécution pendant plusieurs secondes.
 - Lorsque la luminosité passe de « Désactivé » à « Lumineux », l'écran affiche des informations sur le flux audio.
- 4 **Boutons SW VOL (volume du caisson de graves) +/-**
- 5 **Boutons SOUND FIELD*1**
- 6 **Bouton NIGHT (mode nuit)*1**
- 7 **Bouton MUTE**
- 8 **Boutons VOL (volume) +*2/-**
- 9 **Bouton AMP MENU**
- 13 **Bouton PAIRING**
- 14 **Bouton RETURN**
- 15 **Boutons ← (retour)/↑ ↓ (sélection)/→ (continuer)/ ⊕ (entrée)**
Appuyez sur le bouton ←, ↑, ↓ ou → pour sélectionner un réglage, puis appuyez sur le bouton ⊕ pour l'enregistrer.
- 16 **Bouton VOICE*1**

Fonctionnement du téléviseur

- 17 **Boutons TV CH (canal) +/-**
Pour changer le canal.
- 18 **Bouton TV INPUT**
Pour changer l'entrée sur le téléviseur.
- 19 **Bouton TV I/O (marche/arrêt)**
Pour mettre sous et hors tension un téléviseur pouvant être contrôlé par la télécommande du système.

Fonctionnement du dispositif BLUETOOTH

10 Boutons ◀◀/▶▶

Pour passer une piste.

11 Boutons ◀/▶

Pour faire un retour ou une avance rapide de la musique pendant la lecture.

12 Boutons de contrôle de la lecture

▶*2 (lecture)/|| (pause)/■ (arrêt)

Pour démarrer, interrompre ou arrêter la lecture. Pour redémarrer la lecture pendant une interruption, appuyez de nouveau sur le bouton ||.

Remarque

Ce sont des exemples de fonctionnement basique. Il est possible qu'un appareil ne fonctionne pas ou fonctionne différemment.

*1 Consultez la section « Appréciation des effets sonores » du Guide de démarrage fourni.

*2 Les boutons ▶ (lecture) et VOL (volume) + sont munis d'un point tactile. Utilisez-les comme guide pendant le fonctionnement.

Réglage du fabricant du téléviseur

1 Appuyez sur le bouton correspondant au fabricant tout en maintenant enfoncé le bouton TV I/⏻ (marche/arrêt) de la télécommande du système.

Fabricant	Bouton
SONY	17 TV CH +
Samsung	3 DISPLAY
LG	4 SW VOL +
Panasonic	17 TV CH -
VIZIO	5 CLEARAUDIO+
Sharp	4 SW VOL -
Toshiba	5 STANDARD
FUNAI	5 MOVIE

2 Maintenez enfoncé le bouton TV I/⏻ (marche/arrêt) et appuyez sur le bouton ⊕ (entrée).

3 Relâchez le bouton I/⏻ (marche/arrêt) de la télécommande du système.

Caractéristiques

Barre de haut-parleurs (SA-CT370, SA-CT770)

Partie amplificateur

Modèles des États-Unis :

PUISSANCE DE SORTIE ET DISTORSION HARMONIQUE TOTALE :
(FTC)

Avant G + avant D :

Avec des charges de 4 ohms, les deux canaux étant excités, de 200 à 20 000 Hz ; puissance efficace minimale de 35 Watts par canal, avec une distorsion harmonique totale maximale de 1% de la puissance de sortie nominale de 250 milliwatt.

PUISSANCE DE SORTIE (référence)

SA-CT370 :

Avant G/Avant D : 100 Watts (par canal à 4 ohms, 1 kHz)

SA-CT770 :

Avant G/Avant D : 105 Watts (par canal à 4 ohms, 1 kHz)

Modèles du Canada :

PUISSANCE DE SORTIE (nominale)

Avant G + Avant D : 50 W + 50 W
(à 4 ohms, 1 kHz, 1% THD)

PUISSANCE DE SORTIE (référence)

SA-CT370 :

Avant G/Avant D : 100 Watts (par canal à 4 ohms, 1 kHz)

SA-CT770 :

Avant G/Avant D : 105 Watts (par canal à 4 ohms, 1 kHz)

Entrées

HDMI IN 1/2/3*

ANALOG IN

DIGITAL IN (OPT (TV))

* Ces 3 prises sont identiques. Utiliser l'une ou l'autre ne fait aucune différence.

Sortie

HDMI OUT (TV (ARC))

Section BLUETOOTH

Système de communication

BLUETOOTH Spécification version 3.0

Sortie

BLUETOOTH Classe 2 de puissance de la norme

Portée maximum de communication

Visibilité directe d'environ 10 m (33 pi)¹⁾

Nombre maximal de dispositifs à enregistrer

9 dispositifs

Bande de fréquence

Bande 2,4 GHz (2,4000 GHz à 2,4835 GHz)

Méthode de modulation

FHSS (Freq Hopping Spread Spectrum)

Profils BLUETOOTH compatibles²⁾

A2DP (Advanced Audio Distribution Profile)

AVRCP 1.3 (Audio Video Remote Control Profile)

Codecs pris en charge³⁾

SBC⁴⁾, AAC⁵⁾

Portée de transmission (A2DP)

20 Hz - 20 000 Hz (fréquence d'échantillonnage 44,1 kHz)

- 1) La portée réelle variera selon des facteurs tels que les obstacles entre les dispositifs, les champs magnétiques autour d'un four à micro-ondes, de l'électricité statique, d'un téléphone sans fil, de la sensibilité de réception, du fonctionnement du système, de l'application logicielle, etc.
- 2) Les profils BLUETOOTH standard indiquent le but de la communication BLUETOOTH entre les dispositifs.
- 3) Codec : Format de compression et de conversion de signal audio
- 4) Codec de sous-bande
- 5) Codage audio avancé

Section de haut-parleurs avant G/avant D

Système de haut-parleur

SA-CT370 : Système de haut-parleur pleine gamme, suspension acoustique

SA-CT770 : Système de haut-parleur bidirectionnel, suspension acoustique

Haut-parleur

SA-CT370 : 60 mm (2 3/8 in) de type conique

SA-CT770 : caisson de graves 60 mm (2 3/8 in) de type conique
haut-parleur d'aigus de type Balance Drive 20 mm
(13/16 in)**Impédance nominale**

4 ohms

Caractéristiques générales**Puissance de raccordement**

120 V CA, 60 Hz

Consommation électrique

Marche : 34 W

Mode veille (Commande pour HDMI est activé) : 0,5 W ou moins

Mode veille (Commande pour HDMI est désactivé) : 0,3 W ou moins

BLUETOOTH Mode veille : 0,5 W ou moins

Dimensions (approx.) (l/h/p)

SA-CT370 :

900 mm × 50 mm × 113 mm (35 1/2 po × 2 po × 4 1/2 po)

(sans les supports de fixation murale)

900 mm × 113 mm × 72 mm (35 1/2 po × 4 1/2 po × 2 7/8 po)

(avec les supports de fixation murale)

SA-CT770 :

1030 mm × 50 mm × 113 mm (40 5/8 po × 2 po × 4 1/2 po)

(sans les supports de fixation murale)

1030 mm × 113 mm × 72 mm (40 5/8 po × 4 1/2 po × 2 7/8 po)

(avec les supports de fixation murale)

Poids (approx.)

SA-CT370 : 2,4 kg (5 lb 4 5/8 oz)

SA-CT770 : 2,6 kg (5 lb 11 3/4 oz)

Impédance nominale

4 ohms

Puissance de raccordement

120 V CA, 60 Hz

Consommation électrique

Marche : 30 W

Mode veille : 0,5 W ou moins

Dimensions (approx.) (l/h/p)

SA-WCT370 : 135 mm × 361,5 mm × 394 mm

(5 3/8 po × 14 1/4 po × 15 5/8 po) (vertical)

361,5 mm × 135 mm × 394 mm

(14 1/4 po × 5 3/8 po × 15 5/8 po) (horizontal)

SA-WCT770 : 271 mm × 404 mm × 271 mm

(10 3/4 po × 16 po × 10 3/4 po)

Poids (approx.)

SA-WCT370 : 7,0 kg (15 lb 6 7/8 oz)

SA-WCT770 : 8,8 kg (17 lb 10 1/2 oz)

Section transmetteur/récepteur sans fil**Système de haut-parleur**

Norme de son sans fil version 2.0

Bande de fréquence

2,4 GHz (2,4000 GHz à 2,4835 GHz)

Méthode de modulation

Pi / 4 DQPSK

Formats d'entrée audio numériques pris en charge par le système

Dolby Digital

DTS-HD Master Audio*

Dolby Digital Plus*

DTS-HD High Resolution Audio*

Dolby TrueHD*

DTS-HD Low Bit Rate*

DTS

Linear PCM 2ch 48 kHz ou moins

DTS 96/24

Linear PCM Maximum 7.1ch 192 kHz ou moins*

* Il est possible de saisir ces formats uniquement avec une connexion HDMI.

* Il est possible de saisir ces formats uniquement avec une connexion HDMI.

Caisson de graves (SA-WCT370, SA-WCT770)**PUISSANCE DE SORTIE (référence)**

SA-WCT370 : 100 W (par canal à 4 ohms, 100 Hz)

SA-WCT770 : 120 W (par canal à 4 ohms, 100 Hz)

Système de haut-parleur

Système de caisson de graves, Bass reflex

Haut-parleur

SA-WCT370 : 100 mm × 150 mm (4 po × 6 po) de type conique

SA-WCT770 : 160 mm (6 3/8 po) de type conique

Formats vidéo pris en charge par le système

Entrée/Sortie (Bloc de répétition HDMI)

Fichier	2D	3D		
		Paquet d'images	Côte à côte (Demi)	Dessous-dessous (haut-et-bas)
4096 × 2160p @ 59,94/60 Hz*1	○	-	-	-
4096 × 2160p @ 50 Hz*1	○	-	-	-
4096 × 2160p @ 23,98/24 Hz*2	○	-	-	-
3840 × 2160p @ 59,94/60 Hz*1	○	-	-	-
3840 × 2160p @ 50 Hz*1	○	-	-	-
3840 × 2160p @ 29,97/30 Hz*2	○	-	-	-
3840 × 2160p @ 25 Hz*2	○	-	-	-
3840 × 2160p @ 23,98/24 Hz*2	○	-	-	-
1920 × 1080p @ 59,94/60 Hz	○	-	○	○
1920 × 1080p @ 50 Hz	○	-	○	○
1920 × 1080p @ 29,97/30 Hz	○	○	○	○
1920 × 1080p @ 25 Hz	○	○	○	○
1920 × 1080p @ 23,98/24 Hz	○	○	○	○
1920 × 1080i @ 59,94/60 Hz	○	○	○	○
1920 × 1080i @ 50 Hz	○	○	○	○
1280 × 720p @ 59,94/60 Hz	○	○	○	○
1280 × 720p @ 50 Hz	○	○	○	○
1280 × 720p @ 29,97/30 Hz	○	○	○	○
1280 × 720p @ 23,98/24 Hz	○	○	○	○
720 × 480p @ 59,94/60 Hz	○	-	-	-
720 × 576p @ 50 Hz	○	-	-	-
640 × 480p @ 59,94/60 Hz	○	-	-	-

*1 YCbCr 4:2:0/Prise en charge du format 8 bits uniquement

*2 Prise en charge du format 8 bits uniquement

La conception et les caractéristiques sont sujettes à modification sans préavis.

Registro de propiedad

El número de serie y del modelo se encuentran en la parte inferior de la barra parlante. Anote el número de serie en el espacio que aparece a continuación. Consúltelo cuando deba llamar a un distribuidor Sony con respecto a este producto.

N.º de modelo HT-CT370/CT770

N.º de serie _____

ADVERTENCIA

Para reducir el riesgo de incendios o electrocución, no exponga el aparato a la lluvia ni a la humedad.

La unidad no estará desconectada de la fuente de alimentación de ca mientras esté conectada a la toma de pared, aunque se haya apagado la propia unidad.

Para reducir el riesgo de incendio, no cubra la abertura de ventilación del dispositivo con periódicos, paños, cortinas, etc. No exponga el dispositivo a fuentes de llamas vivas (velas encendidas, por ejemplo).

Para reducir el riesgo de incendio o descarga eléctrica, no exponga el dispositivo a goteos ni salpicaduras de líquidos. No coloque objetos llenos de líquido, como vasos, sobre el dispositivo.

Dado que el enchufe del cable de alimentación se utiliza para desconectar la unidad de la fuente de alimentación, conecte la unidad en una toma de ca de fácil acceso. En caso de percibir alguna anomalía en la unidad, desconecte inmediatamente el enchufe del cable de alimentación de la toma de ca.

No sitúe el aparato en un espacio cerrado, como una estantería o un armario empotrado.

No exponga las baterías ni los dispositivos con batería a un calor excesivo, como la luz directa del sol o fuego.

Solo para ser usado en interiores.

Para clientes en los EE. UU.



Las marcas de precaución se encuentran en la parte inferior (para la barra parlante).



Este símbolo señala al usuario la presencia de "voltaje peligroso" sin aislamiento en el interior del aparato de tal intensidad que podría presentar riesgo de descarga eléctrica.



Este símbolo indica al usuario que el manual que acompaña a este aparato contiene instrucciones importantes referentes a su funcionamiento y mantenimiento.

Para la barra parlante

La placa de identificación y la fecha de fabricación se encuentran en la parte inferior.

Instrucciones de seguridad importantes

- 1) Lea estas instrucciones.
- 2) Conserve estas instrucciones.
- 3) Preste atención a las advertencias.
- 4) Siga las instrucciones.
- 5) No utilice este aparato cerca del agua.
- 6) Límpielo sólo con un paño seco.
- 7) No bloquee los orificios de ventilación. Instale el aparato según las instrucciones del fabricante.
- 8) No instale el equipo cerca de fuentes de calor, como radiadores, rejillas de calefacción, estufas u otros aparatos (incluidos amplificadores) que producen calor.
- 9) No anule el propósito de seguridad del enchufe polarizado o enchufe con descarga a tierra. Un enchufe polarizado dispone de dos hojas, una más ancha que la otra. Un enchufe de tipo conexión a tierra tiene dos hojas y una tercera clavija para la conexión a tierra. La hoja ancha o la tercera clavija se proporcionan por razones de seguridad. Si el

enchufe suministrado no entra en la toma, contacte a un electricista para que reemplace la toma obsoleta.

- 10) Evite pisar o perforar los cables de alimentación, sobre todo en la parte del enchufe, en los receptáculos y en el punto en el que el cable sale del equipo.
- 11) Use solamente los accesorios indicados por el fabricante.
- 12) Use solamente con el carrito, soporte, trípode, ménsula o mesa indicados por el fabricante, o que se venden con el equipo. Al utilizar el carrito, tenga cuidado al desplazar el carrito con el aparato, para evitar lesiones y que se vuelque el equipo.



- 13) Desenchufe este equipo durante tormentas eléctricas o cuando no se vaya a utilizar por períodos prolongados.
- 14) Consulte a personal de servicio calificado para cualquier mantenimiento. Se requiere servicio de mantenimiento cuando se ha dañado el equipo de algún modo, tal como cuando se daña el cable o enchufe de alimentación, se ha derramado líquido sobre el equipo o han caído objetos dentro de él, se ha expuesto el equipo a lluvia o humedad o cuando el equipo no opera como de costumbre o se ha dejado caer.

La siguiente declaración de la FCC (Comisión Federal de Comunicaciones) sólo se aplica a la versión de este modelo fabricado para la venta en los EE. UU. Las demás versiones no cumplen con las regulaciones técnicas de la FCC.

NOTA:

Este equipo ha sido sometido a pruebas y se ha determinado que cumple con los límites requeridos por los aparatos digitales de la clase B, en cumplimiento con la Sección 15 de las regulaciones de la FCC. Estas especificaciones han sido diseñadas para proporcionar una protección razonable contra interferencias perjudiciales en una instalación residencial. Este equipo genera, utiliza y puede emitir energía de radiofrecuencia y, de no ser instalado y utilizado de acuerdo con las instrucciones podría ocasionar interferencias perjudiciales en las

comunicaciones de radio. No obstante, no se garantiza que no ocurra ninguna interferencia en una instalación particular. Si el presente equipo causa interferencia en la recepción de radio o televisión, que puede determinarse al apagar y encender el equipo, se recomienda que el usuario intente corregir la interferencia mediante una o más de las siguientes medidas:

- Cambie la orientación o ubicación de la antena de recepción.
- Aumente la separación entre el equipo y el receptor.
- Conecte el equipo en una toma de circuito distinta a la que está conectado el receptor.
- Consulte con su distribuidor o con un técnico especializado en radio/televisión para solicitar asistencia.

Es preciso utilizar cables y conectores correctamente blindados y conectados a tierra para la conexión a anfitriones y/o periféricos con el fin de cumplir los límites de emisiones de la FCC.

PRECAUCIÓN

Queda notificado que ante cualquier cambio o modificación que no haya sido aprobado expresamente en este manual se podrían invalidar sus facultades para utilizar este equipo.

Este equipo no debe colocarse ni utilizarse junto con otras antenas o transmisores.

Este equipo cumple con los límites de exposición a la radiación de la FCC establecidos para un ambiente no controlado y cumple con las pautas de exposición a radiofrecuencia (RF) de la FCC. Este equipo tiene niveles muy bajos de energía de RF que se considerará que se cumplen sin la evaluación de exposición máxima permitida (MPE). Sin embargo, este equipo debería ser instalado y operado a una distancia mínima de 20cm entre el dispositivo radiador y el cuerpo de una persona (excluidas las extremidades: manos, muñecas, pies y tobillos).

Para los clientes en Canadá

Utilice conectores y cables debidamente protegidos y con conexión a tierra para conectar a computadoras del host o dispositivos periféricos.

continuación

El dispositivo cumple con los estándares RSS exentos de licencia de Industry Canada.

Su funcionamiento está sujeto a las dos condiciones siguientes:

(1) este dispositivo no debe provocar interferencias y (2) este dispositivo debe aceptar cualquier interferencia, incluidas las que pueden causar un funcionamiento no deseado.

Este equipo cumple con los límites de exposición a la radiación de la IC establecidos para un ambiente no controlado y cumple con RSS-102 de las normas de exposición a radiofrecuencia (RF) de la IC.

Este equipo tiene niveles muy bajos de energía de RF exigidos sin la evaluación de exposición máxima permitida (MPE). Sin embargo, este equipo debería ser instalado y operado a una distancia mínima de 20cm entre el dispositivo radiador y su cuerpo (excluidas las extremidades: manos, muñecas, pies y tobillos).

Tabla de contenido

Funciones útiles

Instalación de la barra parlante sobre una pared	6
Uso de la función Control para HDMI	8
Uso de las características de "BRAVIA" Sync	9
Controlar el sistema con un teléfono inteligente o dispositivo de tableta (SongPal)	10
Ajuste de las configuraciones	12
Enlace del sistema (LINK)	15

Misceláneas

Precauciones	16
Tecnología inalámbrica BLUETOOTH	18
Solución de problemas	19
Partes y controles	23
Especificaciones	29

Consulte la Guía de inicio proporcionada para obtener información sobre la configuración y las operaciones básicas.

Instalación de la barra parlante sobre una pared

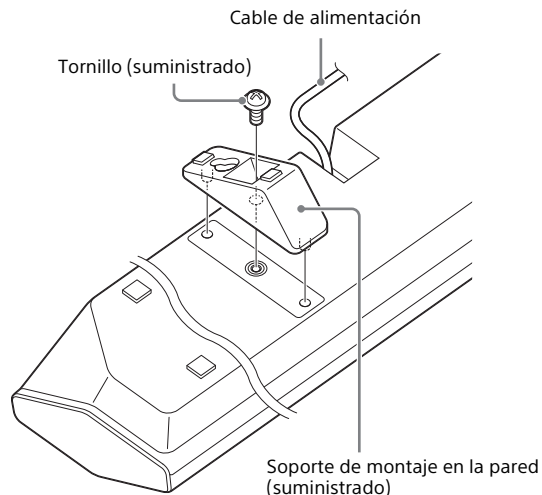
Puede instalar la barra parlante sobre una pared.

Notas

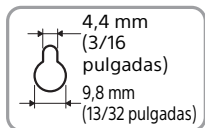
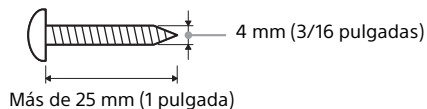
- Prepare tornillos (no suministrados) que sean apropiados para el material y la fortaleza de la pared. Debido a que una pared de yeso es especialmente frágil, asegure los tornillos a dos tacos en la viga de la pared. Instale la barra parlante de manera horizontal, colgado en tacos mediante tornillos en una sección plana y continua de la pared.
- Asegúrese de subcontratar la instalación a proveedores o contratistas licenciados de Sony y preste especial atención a la seguridad durante la instalación.
- Sony no se hará responsable de accidentes o daños ocasionados por la instalación incorrecta, fortaleza insuficiente de la pared, instalación incorrecta de los tornillos o desastre natural, etc.

- 1 Fije los soportes de montaje en la pared suministrados a los agujeros de soporte en la parte inferior de la barra parlante con los tornillos suministrados para que la superficie de cada soporte de montaje sea igual a la que se muestra en la ilustración.

Fije los dos soportes de montaje en la pared a los agujeros de montaje izquierdos y derechos en la parte inferior de la barra parlante.



- 2 Prepare tornillos (no suministrados) que sean apropiados para los agujeros en la parte trasera de los soportes de montaje en la pared.**

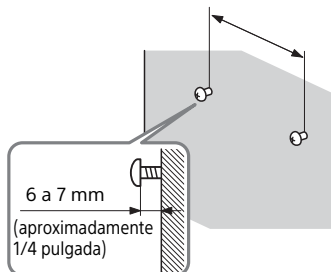


Agujero en el soporte de montaje en la pared

- 3 Sujete los tornillos a dos tacos en la pared.**

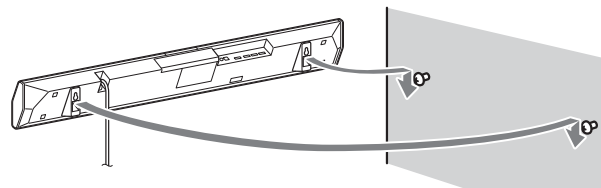
Los tornillos deben sobresalir de 6 a 7 mm (aproximadamente 1/4 pulgada).

HT-CT370: 652 mm (25 7/10 pulgadas)
HT-CT770: 605 mm (23 17/20 pulgadas)



- 4 Cuelgue los soportes de montaje en la pared fijados sobre la barra parlante a los tornillos.**

Alinee los agujeros de los soportes de montaje en la pared con los tornillos, luego cuelgue la barra parlante en los dos tornillos.



Sugerencia

La barra parlante detecta de forma automática si se encuentra montada sobre una pared o en posición plana, y optimiza el sonido para su orientación.

Uso de la función Control para HDMI

Al usar la función Control para HDMI y conectar el equipo compatible con la función Control para HDMI a través de un cable HDMI de alta velocidad, se simplifica el funcionamiento con las siguientes características.

La función Control para HDMI se activa al configurar "CTRL (Control para HDMI)" en "ON" (página 13). La configuración predeterminada es "ON".

Apagado del sistema

Si apaga el televisor, el sistema y el equipo conectado se apagan automáticamente.

Control de audio del sistema

Si enciende el sistema mientras está mirando televisión, el sonido del televisor saldrá por los altavoces del sistema de forma automática. El volumen del sistema se ajustará cuando ajuste el volumen utilizando el mando a distancia del televisor.

Si la salida del sonido del televisor se produjo a través de los altavoces del sistema la última vez que miró el televisor, el sistema se encenderá automáticamente al encender el televisor nuevamente.

Canal de retorno de audio (ARC)

Si el televisor es compatible con la tecnología Canal de retorno de audio (ARC), una conexión con cable HDMI de alta velocidad también permitirá el envío de señales de audio digital desde el televisor al sistema. No es necesario que realice una conexión de audio por separado para escuchar el sonido del televisor desde el sistema.

La función ARC se activa al configurar "ARC (Canal de retorno de audio)" en "ON" (página 13). La configuración predeterminada es "ON".

Reproducción mediante una pulsación

Cuando activa el equipo (Reproductor de Blu-ray Disc™, "PlayStation®4", etc.) conectado al sistema con un cable HDMI de alta velocidad, el televisor conectado se enciende automáticamente y la señal de entrada del sistema cambia a la entrada HDMI correspondiente.

Notas

- Las características antes descritas pueden no funcionar para ciertos equipos.
- Dependiendo de la configuración del equipo conectado, es posible que Control para HDMI no funcione correctamente. Consulte el manual de instrucciones del equipo.

Uso de las características de "BRAVIA" Sync

Las características originales de Sony que se indican a continuación también se pueden usar con productos que sean compatibles con "BRAVIA" Sync.

Ahorro de energía

Si se conecta al sistema un televisor compatible con "BRAVIA" Sync, el consumo de energía se reduce mediante el modo en espera que detiene la transmisión de la señal HDMI cuando se apaga el televisor con la función "pass-through"* del sistema configurada en "AUTO" (página 13).

La configuración predeterminada es "AUTO".

Si se conecta un televisor que no es "BRAVIA", configure el ítem en "ON" (página 13).

* La función "pass-through" para señales HDMI se utiliza para la salida de señales desde la toma HDMI OUT de este sistema incluso si está en modo en espera.

Notas sobre conexiones HDMI

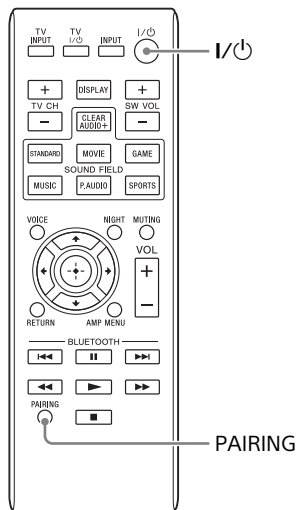
- Use un cable HDMI de alta velocidad. Si usa un cable HDMI estándar, es posible que las imágenes 1080p, Deep Color, 3D, y 4K no se muestren correctamente.
- Use un cable HDMI autorizado. Utilice un cable HDMI Sony de alta velocidad con el logotipo del tipo de cable.
- No recomendamos usar un cable de conversión HDMI-DVI.
- Si la imagen es deficiente o si el sonido no se emite desde un equipo conectado a través del cable HDMI, compruebe la configuración del equipo conectado.
- Las señales de audio (frecuencia de muestreo, longitud de bits, etc.) transmitidas desde una toma HDMI pueden estar suprimidas por el equipo conectado.

- Es posible que el sonido se interrumpa cuando se cambie la frecuencia de muestreo o el número de canales de las señales de salida de audio del equipo de reproducción.
- Si el componente conectado no es compatible con la tecnología de protección de derechos de autor (HDCP), es posible que la imagen y el sonido de la toma HDMI OUT de este sistema se distorsionen o no se emitan. En ese caso, compruebe las especificaciones del equipo conectado.
- Cuando "TV" está seleccionado como fuente de entrada del sistema, las señales de video provenientes de las tomas HDMI IN 1/2/3 que se seleccionaron la última vez se transmiten desde la toma HDMI OUT.
- Este sistema es compatible con transmisión Deep Color, "x.v.Color", 3D y 4K.
- Para disfrutar de imágenes 3D, conecte equipos de televisión y video compatibles con 3D (reproductor de Blu-ray Disc, "PlayStation®4", etc.) al sistema utilizando cables HDMI de alta velocidad, póngase anteojos 3D y reproduzca el Blu-ray Disc con contenido compatible 3D, etc.
- Para disfrutar imágenes 4K, el televisor y los reproductores conectados al sistema deben ser compatibles con imágenes 4K.

Controlar el sistema con un teléfono inteligente o dispositivo de tableta (SongPal)

"SongPal" es la aplicación para operar el sistema con su teléfono inteligente o tableta, etc.

"SongPal" está disponible en Google Play™ o App Store. Esta función se activa al configurar "BT PWR (encendido de BLUETOOTH)" en "ON" (página 13). La configuración predeterminada es "ON".

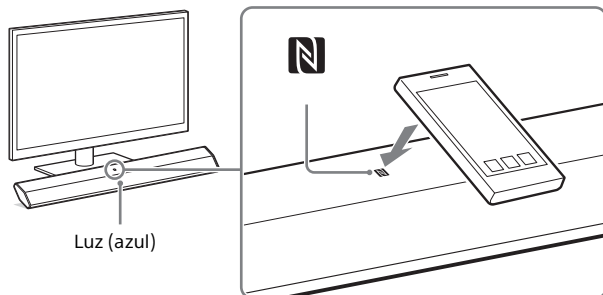


Al usar un dispositivo con Android™

- 1 Presione el botón I/O (encendido/en espera) en el mando a distancia.
El visor de la barra parlante se ilumina.
- 2 Busque "SongPal" con el dispositivo con Android y descargue esa aplicación.
- 3 Ejecute "SongPal" y siga las instrucciones que se muestran en la pantalla.
- 4 Después de que aparezca la pantalla de conexión BLUETOOTH en el dispositivo con Android, presione el botón PAIRING del mando a distancia.
La luz (azul) parpadea rápidamente durante la sincronización BLUETOOTH.
- 5 Seleccione "SONY:HT-CT370" o "SONY:HT-CT770" de la lista de dispositivos BLUETOOTH del dispositivo con Android.
Cuando se ha establecido la conexión, la luz (azul) de la barra parlante se ilumina.
- 6 Utilice el sistema con la pantalla del dispositivo con Android que esté conectado.

Conexión de una pulsación con el dispositivo Android con la función NFC incorporada (NFC)

- 1 Realice los pasos 1 al 3 de "Al usar un dispositivo con Android".
- 2 Después de que aparezca la pantalla de conexión **BLUETOOTH** en el dispositivo con Android, toque el **dispositivo Android con la marca N de la barra parlante**. Cuando se ha establecido la conexión, la luz (azul) de la barra parlante se ilumina.



- 3 Utilice el sistema con la pantalla del dispositivo con Android.

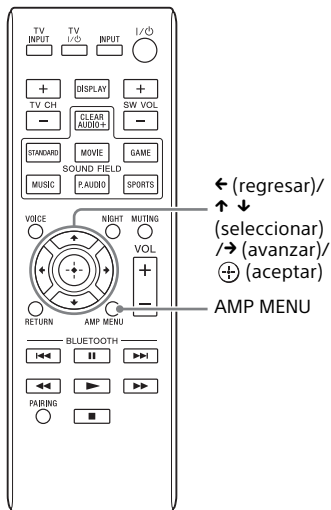
Al usar un iPhone/iPod touch

- 1 Presione el botón **I/⏻** (encendido/en espera) en el mando a distancia.
El visor de la barra parlante se ilumina.
- 2 Presione el botón **PAIRING** en el mando a distancia.
La luz (azul) de la barra parlante parpadea rápidamente durante la sincronización **BLUETOOTH**.
- 3 **Configure el iPhone/iPod touch en modo de sincronización y seleccione "SONY:HT-CT370" o "SONY:HT-CT770" de la lista de dispositivos BLUETOOTH en el iPhone/iPod touch.**
Cuando se ha establecido la conexión, la luz (azul) de la barra parlante se ilumina.
- 4 Busque "SongPal" con el iPhone/iPod touch conectado y descargue esa aplicación.
- 5 Ejecute "SongPal" y utilice el sistema con la pantalla del iPhone/iPod touch.

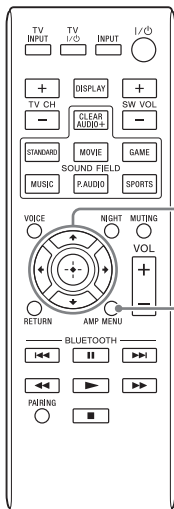
Ajuste de las configuraciones

Puede configurar los siguientes elementos con el botón AMP MENU del mando a distancia. Los ajustes se mantienen aún si desconecta el cable de alimentación de CA.

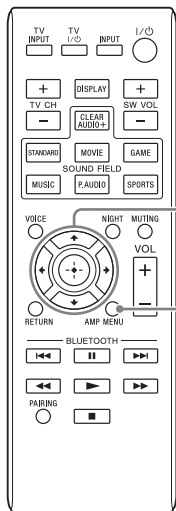
- 1 Presione el botón AMP MENU en el mando a distancia para mostrar la ventana del menú del amplificador en el visor de la barra parlante.
- 2 Seleccione la configuración deseada a través del botón ← (regresar)/↑ ↓ (seleccionar)/→ (avanzar) y presione el botón ⊕ (aceptar).
- 3 Presione el botón AMP MENU para salir de la ventana del menú del amplificador.



Menú		Función	Configuración predeterminada
LEVEL	DRC (Campo de ajuste dinámico)	Puede disfrutar del sonido Dolby Digital a un volumen de sonido bajo. (ON/AUTO/OFF) ON: Comprime el sonido según la información de compresión existente en el contenido. AUTO: Comprime automáticamente el sonido codificado en Dolby TrueHD. OFF: El sonido no está comprimido.	AUTO
	TONE		
	BASS	Se enfatiza el sonido grave. La configuración se puede cambiar desde -6 hasta +6 en incrementos de 1.	0
	TREBLE	Se enfatiza el sonido agudo. La configuración se puede cambiar desde -6 hasta +6 en incrementos de 1.	0
AUDIO	SYNC (Sinc AV)	Puede ajustar el sonido cuando la imagen y el sonido no están sincronizados. (ON/OFF)	OFF
	DUAL (Mono dual)	Puede disfrutar de sonido de emisión múltiple de audio Dolby Digital. (M/S (canales principal y secundario)/MAIN (canal principal)/SUB (canal secundario))	MAIN
	AAV (Volumen automático avanzado)	Reduce las discrepancias de volumen entre los diferentes programas o entre programas y comerciales. (ON/OFF)	OFF
	EFFECT (Efecto de sonido)	ON: Se reproduce el campo acústico seleccionado. Se recomienda usar esta configuración. OFF: La fuente de entrada está mezclada para 2 canales. Nota: Cuando "EFFECT (Efecto de sonido)" está configurado en "OFF", "EFFECT (Efecto de sonido)" cambia automáticamente a "ON" cuando usted modifica la configuración de SOUND FIELD.	ON

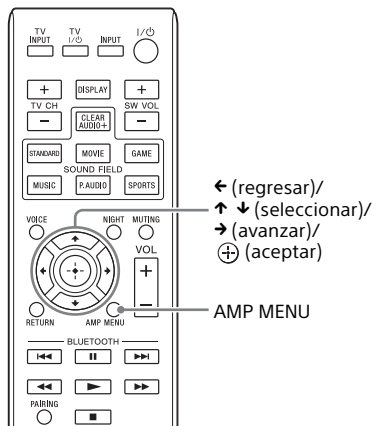


Menú		Función	Configuración predeterminada
HDMI	CTRL (Control para HDMI)	Para activar o desactivar la función de Control para HDMI. (ON/OFF) Consulte "Uso de la función Control para HDMI" (página 8) para obtener más detalles.	ON
	P. THRU (Salida directa)	Para configurar el modo de ahorro de energía de la función "pass-through" de las señales HDMI. (AUTO/ON) AUTO: Emite señales de la toma HDMI OUT del sistema en modo en espera según el estado del televisor. Esta configuración ahorra energía en modo de espera en comparación con la configuración "ON". ON: Siempre emite señales desde la toma de HDMI OUT en modo en espera. Si se conecta un televisor que no es "BRAVIA", use el sistema con la configuración "ON". Nota: Este elemento aparece solo cuando "CTRL (Control para HDMI)" está configurado en "ON".	AUTO
	ARC (Canal de retorno de audio)	Para escuchar el sonido digital de un televisor compatible con la tecnología Canal de retorno de audio (ARC) que está conectado a través de un cable HDMI de alta velocidad. (ON/OFF) Nota: Este elemento aparece solo cuando "CTRL (Control para HDMI)" está configurado en "ON".	ON
SET BT	BT PWR (Encendido de BLUETOOTH)	Para activar o desactivar las funciones BLUETOOTH del sistema. (ON/OFF) Nota: Si cambia la configuración a "OFF", la función BLUETOOTH y la función NFC se desactiva.	ON
	BT.STBY (BLUETOOTH en espera)	Cuando el sistema termina de sincronizar la información, se encuentra en modo de espera de BLUETOOTH incluso si está apagado. (ON/OFF)	ON
	AAC (Codificación de audio avanzado)	Para configurar si el sistema usará o no AAC a través de BLUETOOTH. (ON/OFF) Nota: Si el ajuste de configuración se modifica mientras el sistema está conectado a un dispositivo BLUETOOTH, el sistema se desconectará del dispositivo.	ON

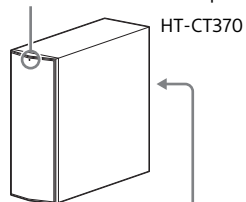


Menú	Función	Configuración predeterminada	
SYSTEM	A. STBY (Modo de espera automático)	Para activar o desactivar la función de AUTO POWER OFF. (ON/OFF) El sistema se apaga de forma automática cuando no se ha realizado ninguna operación en un período de tiempo determinado (aproximadamente 20 minutos) y el sistema no está recibiendo una señal de entrada.	ON
	VER (Versión)	Para mostrar la versión actual del firmware.	-
	SYS.RST (Restablecimiento completo del sistema)	Para reiniciar los menús y las configuraciones (campo acústico, etc.) del sistema a su estado inicial cuando no funciona adecuadamente. Consulte "Solución de problemas" (página 22) para obtener más detalles.	-
WS	LINK	Para enlazar nuevamente el sistema de sonido inalámbrico (página 15).	-
	RF CHK	Para verificar si el sistema de sonido inalámbrico de este sistema puede comunicarse o no. (OK/NG)	-

Enlace del sistema (LINK)



Luz de encendido/en espera

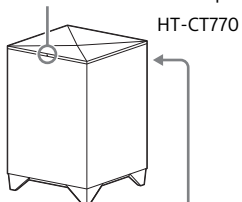


HT-CT370

Botón LINK



Luz de encendido/en espera



HT-CT770

Botón LINK



Configurar la conexión subwoofer inalámbrica nuevamente.

- 1** Presione el botón AMP MENU en el mando a distancia.
- 2** Seleccione "WS" con el botón ↑ ↓ (seleccionar) y luego presione el botón ⊕ (aceptar) o → (avanzar).
- 3** Seleccione "LINK" con el botón ↑ ↓ (seleccionar) y luego presione el botón ⊕ (aceptar) o → (avanzar).
- 4** Cuando aparezca "START" en el visor de la barra parlante, presione el botón ⊕ (aceptar).
Aparece "SEARCH" y la barra parlante busca equipos que se puedan usar con Link. Avance al siguiente paso dentro de 1 minuto.
Para salir de la función Link durante una búsqueda de equipos, presione el botón ← (regresar).
- 5** Presione el botón LINK en el subwoofer con la punta de una pluma, etc.
La luz de encendido/en espera del subwoofer se ilumina de color verde. Aparece "OK" en el visor de la barra parlante. Si aparece "FAILED", verifique que el subwoofer esté encendido y vuelva a realizar el proceso desde el paso 1.
- 6** Presione el botón AMP MENU.
Se apaga el menú del amplificador.

Precauciones

Seguridad

- En caso de que caiga algún objeto sólido o líquido dentro del sistema, desconéctelo y solicite al personal especializado que realice una verificación antes de volver a utilizarlo.
- No se apoye en la barra parlante y el subwoofer, dado que podría caerse y lastimarse, o podría ocasionar daños en el sistema.

Fuentes de alimentación

- Antes de conectar el sistema, compruebe que la tensión de funcionamiento sea idéntica a su fuente de alimentación local. La tensión de funcionamiento se indica en la placa de identificación en la parte inferior de la barra parlante.
- Si no va a utilizar el sistema por un tiempo prolongado, asegúrese de desconectarlo de la toma de pared (principal). Para desconectar el cable de alimentación de CA (toma principal), tire del enchufe, nunca del cable.
- Una clavija del enchufe es más ancha que la otra por motivos de seguridad y entrará en la toma de pared (principal) de una sola manera. Si no puede insertar la totalidad del enchufe en la toma, comuníquese con su proveedor.
- El cable de alimentación de CA (toma principal) solo deberá ser reemplazado en un centro de servicio autorizado.

Acumulación térmica

Si bien el sistema se calienta durante su funcionamiento, no se trata de una falla de funcionamiento. El uso prolongado de este sistema con un volumen alto puede provocar un incremento considerable en la temperatura de la parte trasera e inferior del mismo. Para evitar quemaduras, no toque el sistema.

Ubicación

- Instale el sistema en un lugar con ventilación adecuada para evitar la acumulación térmica y prolongar su vida útil.
- No lo instale cerca de fuentes de calor ni en lugares expuestos a la luz solar directa, polvo excesivo, vibraciones mecánicas.
- No coloque objetos en la parte posterior de la barra parlante y del subwoofer que puedan bloquear las ranuras de ventilación y ocasionar fallas de funcionamiento.
- Si el sistema se utiliza junto con un televisor, video grabadora o lector de cintas, puede ocasionar ruido y la calidad de imagen se podría ver afectada. En este caso, coloque el sistema lejos del televisor, video grabadora o lector de cintas.
- Tenga cuidado al colocarlo sobre una superficie que haya sido tratada de manera especial (encerada, barnizada con aceite, pulida, etc.), ya que puede mancharse o decolorarse.
- Tenga cuidado para evitar posibles lesiones producidas con los bordes de la barra parlante y del subwoofer.

Funcionamiento

Antes de conectar otro equipo, asegúrese de apagar y desenchufar el sistema.

Si encuentra irregularidad de color en una pantalla de televisión cercana

Se pueden observar irregularidades de color en determinados tipos de televisores.

Si se observa una irregularidad de color...

Apague el televisor y luego vuelva a encenderlo después de 15 a 30 minutos.

Si se vuelve a observar una irregularidad de color...

Instale el sistema más lejos del televisor.

Limpieza

Limpie el sistema con un paño seco y suave. No utilice estropajos abrasivos, detergente en polvo ni disolventes, como alcohol o bencina.

Si desea realizar alguna pregunta o solucionar algún problema relacionado con el sistema, póngase en contacto con el distribuidor Sony más cercano.

Derechos de autor

Este sistema incorpora Dolby* Digital y DTS** Digital Surround System.

* Fabricado bajo licencia de Dolby Laboratories. Dolby y el símbolo de la doble D son marcas comerciales de Dolby Laboratories.

** Fabricado bajo licencia amparado por las patentes de los Estados Unidos: 5.956.674; 5.974.380; 6.226.616; 6.487.535; 7.212.872; 7.333.929; 7.392.195; 7.272.567 y otras patentes estadounidenses e internacionales emitidas y pendientes. DTS-HD, el símbolo, DTS-HD y el símbolo son marcas comerciales registradas de DTS, Inc. El producto incluye el software. © DTS, Inc. Todos los derechos reservados.

La marca de palabra BLUETOOTH® y sus logotipos son marcas comerciales registradas propiedad de Bluetooth SIG, Inc. y todo uso que Sony Corporation haga de dichas marcas está sujeto a una licencia.

Este sistema incorpora tecnología High-Definition Multimedia Interface (HDMI™).

Los términos HDMI y HDMI High-Definition Multimedia Interface y el logotipo de HDMI son marcas comerciales o marcas comerciales registradas de HDMI Licensing LLC en los Estados Unidos y otros países.

El logotipo de "BRAVIA" es una marca comercial de Sony Corporation.

"DSEE" es una marca comercial de Sony Corporation.

"x.v.Color" y el logotipo de "x.v.Color" son marcas comerciales de Sony Corporation.

"PlayStation®" es una marca comercial registrada de Sony Computer Entertainment Inc.

N Mark es una marca comercial o una marca comercial registrada de NFC Forum, Inc. en los Estados Unidos y en otros países.

Android y Google Play son marcas registradas de Google Inc.

"ClearAudio+" es una marca comercial de Sony Corporation.

Apple, el logotipo de Apple, iPhone, iPod y iPod touch son marcas comerciales de Apple Inc., registradas en los Estados Unidos y otros países. App Store es una marca de Apple Inc.



"Made for iPod" y "Made for iPhone" significan que un accesorio electrónico ha sido diseñado para conectarse específicamente con iPod o iPhone, respectivamente y que el desarrollador ha certificado que alcanza los estándares de desempeño de Apple. Apple no es responsable por el funcionamiento de este dispositivo ni su cumplimiento de estándares de seguridad y normativos. Tenga en consideración que el uso de este accesorio con iPod o iPhone podría afectar el desempeño inalámbrico.

Modelos de iPod/iPhone compatibles

Los modelos de iPod/iPhone compatibles son los siguientes. Actualice su iPod/iPhone con el último software antes de usar con el sistema.

La tecnología BLUETOOTH funciona con:

- iPhone
 - iPhone 5s/iPhone 5c/iPhone 5/iPhone 4s/iPhone 4/iPhone 3GS
- iPod touch
 - iPod touch (5° generación)/iPod touch (4° generación)

Otras marcas comerciales y nombres comerciales pertenecen a sus respectivos propietarios.

Tecnología inalámbrica BLUETOOTH

Versión y perfiles BLUETOOTH compatibles

Los perfiles se refieren a un conjunto de funciones estándar para varias capacidades de producto de BLUETOOTH. Consulte “Especificaciones” (página 29) para la versión y perfiles BLUETOOTH compatibles con este sistema.

Notas

- Para usar la función BLUETOOTH, el dispositivo BLUETOOTH a conectar debe ser compatible con el mismo perfil del sistema. Incluso si el dispositivo fuera compatible con el mismo perfil, las funciones pueden ser diferentes debido a las especificaciones del dispositivo BLUETOOTH.
- La reproducción de audio de este sistema puede retrasarse respecto de la del dispositivo BLUETOOTH debido a las características de la tecnología inalámbrica BLUETOOTH.

Rango de comunicación eficaz

Los dispositivos BLUETOOTH se deben usar dentro de aproximadamente 10 metros (33 pies) (distancia sin obstrucciones) uno del otro. El rango de comunicación eficaz puede acortarse en las siguientes condiciones;

- Cuando una persona, objeto metálico, pared u otra obstrucción está entre los dispositivos con una conexión BLUETOOTH
- Ubicaciones donde está instalada una LAN inalámbrica
- Cerca de hornos de microondas que estén en uso
- Ubicaciones donde se generen otras ondas electromagnéticas

Efectos de otros dispositivos

Los dispositivos BLUETOOTH y el equipo LAN inalámbrica (IEEE 802.11b/g) usan la misma banda de frecuencia (2,4 GHz). Al usar el dispositivo BLUETOOTH cerca de un dispositivo con capacidades de LAN inalámbrica, puede ocurrir interferencia electromagnética. Esto puede generar una menor velocidad de transferencia de datos, ruido o imposibilidad para conectarse. Si esto sucede, intente lo siguiente:

- Conecte este sistema y el teléfono móvil BLUETOOTH o dispositivo BLUETOOTH cuando esté al menos a 10 metros (33 pies) de distancia del equipo de LAN inalámbrica.
- Apague el equipo de LAN inalámbrica al utilizar el dispositivo BLUETOOTH dentro de un rango de 10 metros (33 pies).

Efectos en otros dispositivos

Las ondas de radio que emite este sistema pueden interferir con el funcionamiento de algunos dispositivos médicos. Dado que la interferencia puede generar fallas de funcionamiento, siempre apague el sistema, el teléfono móvil BLUETOOTH y el dispositivo BLUETOOTH en los siguientes lugares:

- En hospitales, trenes o aviones, estaciones de combustible y en cualquier lugar donde puedan haber gases inflamables
- Cerca de puertas automáticas o alarmas de incendio

Notas

- Este sistema admite funciones de seguridad que cumplen con la especificación de BLUETOOTH como un medio para garantizar la seguridad durante las comunicaciones por medio de la tecnología BLUETOOTH. Sin embargo esta seguridad puede ser insuficiente según las configuraciones y otros factores. De modo que siempre tenga cuidado al comunicarse por medio de tecnología BLUETOOTH.
- Sony no será responsable de ninguna manera por daños u otras pérdidas producto de la divulgación de información durante la comunicación mediante la tecnología BLUETOOTH.
- No se garantiza con certeza la comunicación de BLUETOOTH con todos los dispositivos BLUETOOTH que tengan el mismo perfil del sistema.
- Los dispositivos BLUETOOTH conectados con este sistema deben cumplir con la especificación de BLUETOOTH que se indica en Bluetooth SIG, Inc. y deben tener certificación de ello. No obstante, incluso si un dispositivo cumple con la especificación de BLUETOOTH, puede haber casos donde las características o especificaciones del dispositivo BLUETOOTH hacen que sea imposible conectarlo o pueden generar métodos de control, visualización o funcionamiento diferentes.
- Puede producirse ruido o el audio se puede interrumpir según el dispositivo BLUETOOTH conectado con el sistema, el entorno de comunicaciones o las condiciones circundantes.

Solución de problemas

Si al utilizar el sistema, surge alguna de las siguientes dificultades, consulte esta guía de solución de problemas para resolver el inconveniente antes de solicitar reparaciones. Si el problema persiste, comuníquese con el distribuidor Sony más cercano. Cuando solicita una reparación, asegúrese de traer tanto su barra parlante como su subwoofer, incluso si parece que solo uno tiene un problema.

ENCENDIDO

El sistema no se enciende.

- Compruebe que el cable de alimentación de CA esté bien conectado.

El sistema se apagó automáticamente.

- La función "A. STBY" está activada. Configure "A. STBY (Modo de espera automático)" en "OFF" (página 14).

SONIDO

No se emiten sonidos del televisor desde el sistema.

- Presione repetidamente el botón INPUT en el mando a distancia para mostrar "TV" en el visor (consulte "Escuchar el audio del televisor" en la Guía de inicio proporcionada).
- Compruebe la conexión del cable HDMI, cable digital óptico o del cable de audio que está conectado al sistema y al televisor (consulte "Conexión" en la Guía de inicio proporcionada).
- Compruebe la salida de sonido del televisor. Consulte el manual de instrucciones del televisor para ver la configuración del televisor.
- Suba el volumen del televisor o cancele el silencio.
- Cuando un televisor compatible con la tecnología Canal de retorno de audio (ARC) está conectado con un cable HDMI, asegúrese de que el cable esté conectado a la toma HDMI (ARC) del televisor (consulte "Conexión" en la Guía de inicio proporcionada).

- Si el televisor no es compatible con tecnología Canal de retorno de audio (ARC), conecte el cable digital óptico además del cable HDMI para la salida del sonido (consulte "Conexión" en la Guía de inicio proporcionada).

El sonido se emite desde el sistema y el televisor.

- Apague el sonido del sistema o del televisor.

El sonido del televisor de este sistema está demorado con respecto a la imagen.

- Configure "SYNC (Sinc AV)" en "OFF" si está configurado en "ON" (página 12).

No hay sonido o se oye un sonido muy bajo del equipo conectado a la barra parlante desde la barra parlante.

- Presione el botón VOL + en el mando a distancia y compruebe el nivel de volumen (consulte "Partes y controles" (página 23)).
- Presione el botón MUTEING o VOL + en el mando a distancia para cancelar la función de silencio (consulte "Partes y controles" (página 27)).
- Asegúrese de que se haya seleccionado la fuente de entrada de forma correcta. Debería probar otras fuentes de entrada al presionar varias veces el botón INPUT en el mando a distancia (consulte "Escuchar el sonido" en la Guía de inicio proporcionada).
- Compruebe que todos los cables del sistema y de los equipos conectados estén totalmente insertados.

No hay sonido o se oye un sonido muy bajo desde el subwoofer.

- Presione el botón SW VOL + en el mando a distancia para subir el volumen del subwoofer (consulte "Partes y controles" (página 27)).
- Asegúrese de que la luz de encendido/en espera del subwoofer esté iluminada de color verde. Si no lo está, consulte "No hay sonido desde el subwoofer." en "SONIDO INALÁMBRICO" (página 20).
- Un subwoofer sirve para reproducir sonidos graves. En caso de fuentes de entrada que contienen muy pocos componentes de sonidos graves (es decir, una transmisión televisiva), es posible que sea difícil oír el sonido del subwoofer.

- Cuando usted reproduce contenido compatible con la tecnología de protección de derechos de autor (HDCP), no se emite desde el subwoofer.

No se puede obtener el efecto de sonido envolvente.

- Dependiendo de la señal de entrada y de la configuración del campo acústico, el procesamiento de sonido envolvente podría no funcionar de forma efectiva. El efecto envolvente puede ser sutil según el programa o el disco.
- Para emitir audio multicanal, compruebe la configuración de salida de audio digital en el dispositivo conectado al sistema. Para conocer más detalles, consulte el manual de instrucciones suministrado con el equipo conectado.

BLUETOOTH

No se puede completar la conexión BLUETOOTH.

- Asegúrese de que la luz (azul) de la barra parlante esté encendida (consulte “Escuchar el sonido desde dispositivos BLUETOOTH” en la Guía de inicio proporcionada).

Estado del sistema	Estado de la luz (azul)
Durante la sincronización BLUETOOTH	Parpadea rápidamente
El sistema intenta conectarse con un dispositivo BLUETOOTH	Parpadea
El sistema ha establecido una conexión con un dispositivo BLUETOOTH	Encendida
El sistema está en el modo de espera de BLUETOOTH (cuando el sistema está apagado)	Apagado

- Compruebe que el dispositivo BLUETOOTH a conectarse esté encendido y que la función BLUETOOTH esté activada.
- Acerque el sistema al dispositivo BLUETOOTH.
- Sincronice nuevamente el sistema y el dispositivo BLUETOOTH. Puede que necesite cancelar la sincronización con el sistema usando primero su dispositivo BLUETOOTH.

No se pudo realizar la sincronización.

- Acercar el sistema y el dispositivo BLUETOOTH (consulte “Escuchar el sonido desde dispositivos BLUETOOTH” en la Guía de inicio proporcionada).
- Asegúrese de que este sistema no está recibiendo interferencia de un equipo LAN inalámbrica, otros dispositivos inalámbricos de 2.4 GHz o un horno microondas. Si hay un dispositivo que genera radiación electromagnética cerca, aleje el dispositivo del sistema.

No se emiten sonidos desde el dispositivo BLUETOOTH conectado.

- Asegúrese de que la luz (azul) de la barra parlante esté encendida (consulte “Escuchar el sonido desde dispositivos BLUETOOTH” en la Guía de inicio proporcionada).
- Acerque el sistema al dispositivo BLUETOOTH.
- Si hay un dispositivo que genera radiación electromagnética, como por ejemplo un equipo LAN inalámbrica, otros dispositivos BLUETOOTH o un horno microondas cerca, aleje el dispositivo del sistema.
- Retire cualquier obstáculo entre este sistema y el dispositivo BLUETOOTH o aparte el sistema del obstáculo.
- Vuelva a posicionar el dispositivo BLUETOOTH conectado.
- Intente cambiar la frecuencia inalámbrica del enrutador Wi-Fi, computadora, etc., a una banda de 5 GHz.
- Suba el volumen en el dispositivo BLUETOOTH conectado.

El sonido no está sincronizado con la imagen.

- Cuando mira películas, es posible que escuche el sonido con un leve retraso en comparación con la imagen.

SONIDO INALÁMBRICO

No se escuchan sonidos desde el subwoofer.

- Compruebe que el cable de alimentación de CA (toma principal) del subwoofer esté correctamente conectado. (Consulte “Encendido del sistema” en la Guía de inicio proporcionada.)
- La luz de encendido/en espera no se ilumina.
 - Compruebe que el cable de alimentación de CA (toma principal) del subwoofer esté correctamente conectado.
 - Presione el botón I/⏻ (encendido/en espera) del subwoofer para encender la energía.

- La luz de encendido/en espera parpadea lentamente en color verde o se ilumina en color rojo.
 - Mueva el subwoofer a una ubicación cercana a la barra parlante para que la luz de encendido/en espera se ilumine en color verde.
 - Siga los pasos en “Enlace del sistema (LINK)” (página 15).
 - Compruebe el estado de comunicación del sistema de sonido inalámbrico mediante “RF CHK” del menú del amplificador (página 14).
- La luz de encendido/en espera parpadea rápidamente en color verde.
 - Consulte a su proveedor de Sony más cercano.
- La luz de encendido/en espera parpadea en color rojo.
 - Presione el botón I/⏻ (encendido/en espera) del subwoofer para apagar la energía y compruebe si el orificio de ventilación del subwoofer está bloqueado o no.
- El subwoofer está diseñado para reproducir sonidos graves. Cuando la fuente de entrada no contiene muchos sonidos graves, como es el caso de la mayoría de los programas televisivos, es posible que no se escuche el sonido grave.
- Presione el botón SW VOL + en el mando a distancia para subir el volumen del subwoofer (consulte “Partes y controles” (página 27)).

El sonido salta o tiene ruido.

- Si hay un dispositivo cerca que genera ondas electromagnéticas como una LAN inalámbrica o un horno electrónico en uso, instale el sistema lejos del mismo.
- Si hay un obstáculo entre la barra parlante y el subwoofer, muévelo o quitelo.
- Instale la barra parlante y el subwoofer lo más cerca posible.
- Cambie la frecuencia LAN de cualquier enrutador Wi-Fi o computadora personal cercanos al rango de 5 GHz.

MANDO A DISTANCIA

El mando a distancia de este sistema no funciona.

- Oriente el mando a distancia hacia el sensor del mando a distancia de la barra parlante (consulte “Partes y controles” (página 27)).

- Retire cualquier obstáculo que se interponga entre el mando a distancia y el sistema.
- Si las pilas del mando a distancia tienen poca energía, reemplace ambas por otras nuevas.
- Asegúrese de presionar el botón correcto en el mando a distancia.

OTROS

La función de Control para HDMI no funciona correctamente.

- Compruebe la conexión HDMI (consulte “Conexión” en la Guía de inicio proporcionada).
- Configure la función Control para HDMI en el televisor. Consulte el manual de instrucciones proporcionado con el televisor para ver la configuración del televisor.
- Asegúrese de que los equipos conectados sean compatibles con “BRAVIA” Sync.
- Compruebe los ajustes de Control para HDMI en el equipo conectado. Consulte el manual de instrucciones suministrado con el equipo conectado.
- Si conecta/desconecta el cable de alimentación de CA (toma principal), espere al menos 15 segundos antes de operar el sistema.
- Si conecta la salida de audio del equipo de video con el sistema, usando un cable que no sea un cable HDMI, no saldrá ningún sonido debido a “BRAVIA” Sync. En un caso así, configure “CTRL (Control para HDMI)” en “OFF” (página 13) o conecte el cable desde la toma de salida de audio del equipo de video directamente al televisor.

Aparece “PTECT (proteger)” en el visor de la barra parlante.

- Presione el botón I/⏻ (encendido/en espera) para apagar el sistema. Cuando el indicador desaparezca, desconecte el cable de alimentación de CA y corrobore que no haya ningún obstáculo que bloquee los orificios de ventilación del sistema.

Los sensores del televisor no funcionan correctamente.

- La barra parlante puede bloquear algunos sensores (como el sensor de brillo) y el receptor del mando a distancia de su televisor, o el “emisor para los anteojos 3D (transmisión infrarroja)” de un televisor 3D compatible con el sistema de anteojos 3D. Mueva la barra parlante lejos del televisor dentro de

continuación

un rango que permita que esas partes funcionen correctamente. Para las ubicaciones de los sensores y del receptor del mando a distancia, consulte el manual de instrucciones proporcionadas con el televisor.

RESET

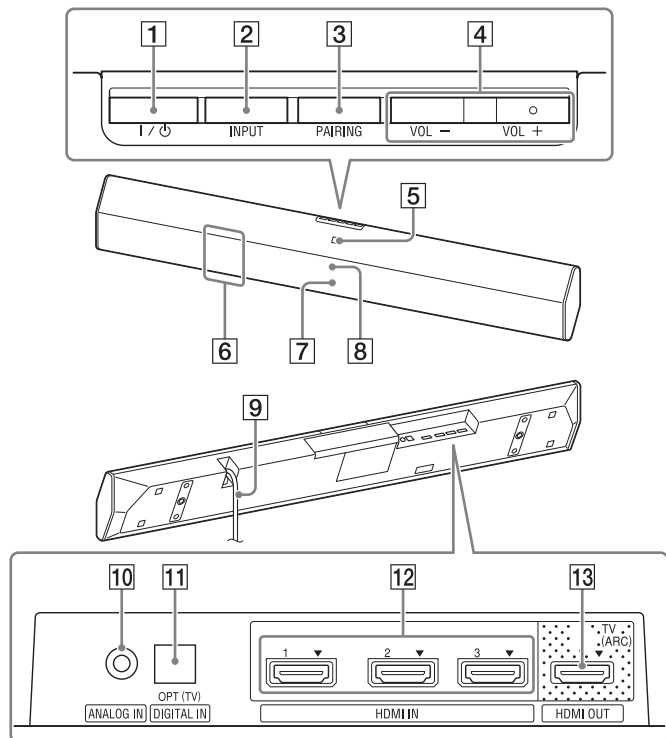
Si el sistema sigue sin funcionar correctamente, reinícielo de la siguiente manera:

- 1 Presione el botón I/⏻ (encendido/en espera) en el mando a distancia para encender la barra parlante.**
- 2 Presione el botón AMP MENU en el mando a distancia.**
- 3 Presione repetidamente el botón ↑ ↓ (seleccionar) hasta que aparezca "SYSTEM" y luego presione el botón ⊕ (aceptar).**
- 4 Presione repetidamente el botón ↑ ↓ (seleccionar) hasta que aparezca "SYS.RST" y luego presione el botón ⊕ (aceptar) (página 14).**
- 5 Presione el botón ⊕ (aceptar) después de mostrar "START".**
Aparece "RESET" en el visor y las configuraciones del menú y los campos acústicos, etc, vuelven a sus estados iniciales.
- 6 Desconecte el cable de alimentación de CA.**

Partes y controles

HT-CT370

Barra parlante



Parte frontal/superior

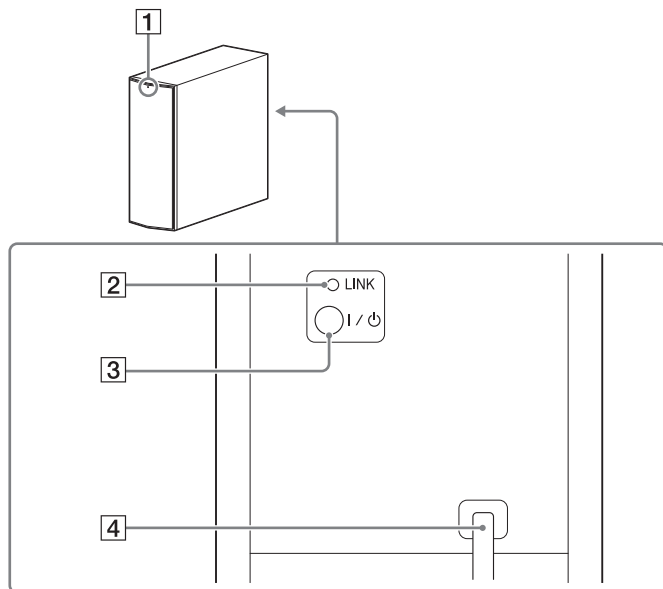
- 1 Botón I/⏻ (encendido/en espera)
- 2 Botón INPUT
- 3 Botón PAIRING
- 4 Botones VOL (volumen) +/-
- 5 Marca N
Cuando usa la función NFC, toque su dispositivo NFC con la marca.
- 6 Sensor de mando a distancia
- 7 Luz
 - Blanca: cuando el visor de la barra parlante está apagado.
 - Azul: Modo BLUETOOTH (página 20)
- 8 Visor

Parte trasera/inferior

- 9 Cable de alimentación de CA
- 10 Toma ANALOG IN
- 11 Toma DIGITAL IN (OPT (TV))
- 12 Tomas HDMI IN 1/2/3
- 13 Toma HDMI OUT (TV (ARC))

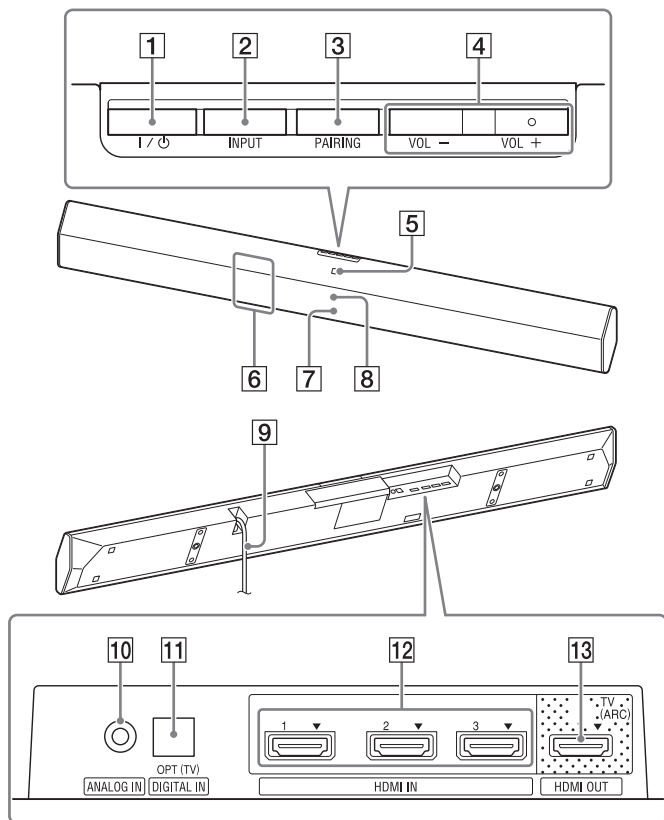
Subwoofer

- 1 Luz de encendido/en espera
- 2 Botón LINK
- 3 Botón I/⏻ (encendido/en espera)
- 4 Cable de alimentación de CA



HT-CT770

Barra parlante



Parte frontal/superior

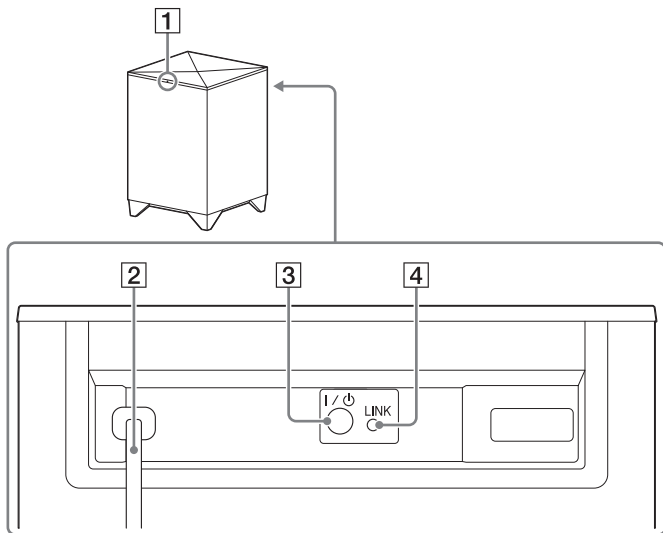
- 1 Botón I/⏻ (encendido/en espera)
- 2 Botón INPUT
- 3 Botón PAIRING
- 4 Botones VOL (volumen) +/-
- 5 Marca N
Cuando usa la función NFC, toque su dispositivo NFC con la marca.
- 6 Sensor de mando a distancia
- 7 Luz
 - Blanca: cuando el visor de la barra parlante está apagado.
 - Azul: Modo BLUETOOTH (página 20)
- 8 Visor

Parte trasera/inferior

- 9 Cable de alimentación de CA
- 10 Toma ANALOG IN
- 11 Toma DIGITAL IN (OPT (TV))
- 12 Tomas HDMI IN 1/2/3
- 13 Toma HDMI OUT (TV (ARC))

Subwoofer

- 1 Luz de encendido/en espera
- 2 Cable de alimentación de CA (toma principal)
- 3 Botón I/⏻ (encendido/en espera)
- 4 Botón LINK

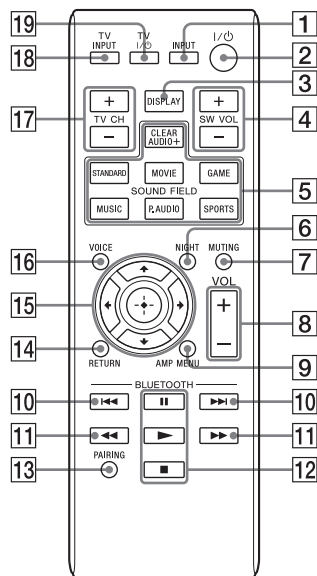


Mando a distancia

El mando a distancia proporcionado puede controlar el sistema y los dispositivos conectados. No puede controlar algunos dispositivos. En ese caso, use el mando a distancia del dispositivo.

Nota

Utilice el mando a distancia orientándolo al sensor del mando a distancia de la barra parlante.



Operación del sistema

1 Botón INPUT

2 Botón I/O (encendido/en espera)

3 Botón DISPLAY

Para cambiar el brillo (Brillo/Oscuro/Apagado) del visor de la barra parlante.

- Cuando el brillo del visor esté configurado en "Apagado", el visor se apaga después de que el visor muestra el estado de operación por varios segundos.
- Cuando se lo cambia de "Apagado" a "Brillo", el visor muestra la información de flujo de audio.

4 Botones SW VOL (volumen del subwoofer) +/-

5 Botones SOUND FIELD*1

6 Botón NIGHT (modo nocturno)*1

7 Botón MUTING

8 Botones VOL (volumen) +*2/-

9 Botón AMP MENU

13 Botón PAIRING

14 Botón RETURN

15 Botones ← (regresar)/↑ ↓ (seleccionar)/→ (avanzar)/ ⊕ (aceptar)

Presione el botón ←, ↑, ↓, o → para seleccionar una configuración y luego presione el botón ⊕ para registrar el ajuste.

16 Botón VOICE*1

Operación del televisor

17 Botones TV CH (canal) +/-

Para cambiar el canal.

18 Botón TV INPUT

Para cambiar la entrada en el televisor.

19 Botón TV I/O (encendido/en espera)

Para encender y apagar un televisor que se puede controlar con el mando a distancia del sistema.

Operación del dispositivo BLUETOOTH

10 Botones I◀◀/▶▶I

Para saltar una pista

11 Botones ◀◀/▶▶

Para el retroceso rápido o el avance rápido de la música cuando se los presiona durante la reproducción.

12 Botones de control de la reproducción

▶*2 (reproducir)/II (pausa)/■ (detener)

Para iniciar, pausar o detener la reproducción. Para reiniciar la reproducción durante una pausa, vuelva a presionar el botón II.

Nota

Estos son los ejemplos básicos de operación. Es posible que haya un dispositivo que no se pueda operar o que funcione de manera diferente.

*1 Consulte "Disfrutar los efectos de sonido" en la Guía de inicio proporcionada.

*2 Los botones ▶ (reproducir) y VOL (volumen) + tienen un punto táctil. Úselo como guía durante la operación.

Configuración del fabricante del televisor

1 Presione el botón correspondiente al fabricante mientras mantiene presionado el botón I/⏻ (encendido/en espera) del televisor del mando a distancia del sistema.

Fabricante	Botón
SONY	17 TV CH +
Samsung	3 DISPLAY
LG	4 SW VOL +
Panasonic	17 TV CH -
VIZIO	5 CLEARAUDIO+
Sharp	4 SW VOL -
Toshiba	5 STANDARD
FUNAI	5 MOVIE

2 Siga manteniendo presionado el botón I/⏻ (encendido/en espera) del televisor y presione el botón ⊕ (aceptar).

3 Suelte el botón I/⏻ (encendido/en espera) del televisor que mantenía presionado en el mando a distancia del sistema.

Especificaciones

Barra parlante (SA-CT370, SA-CT770)

Sección del amplificador

Modelos para EE. UU.:

POTENCIA DE SALIDA Y DISTORSIÓN ARMÓNICA TOTAL:
(FTC)

Frontal I + Frontal D:

Con cargas de 4 ohmios, ambos canales accionados, entre 200 y 20.000 Hz; potencia media mínima de 35 W por canal y una distorsión armónica total que no supera el 1%, que va desde los 250 miliwatt hasta la potencia nominal.

POTENCIA DE SALIDA (referencia)

SA-CT370:

Frontal I/Frontal D: 100 W (por canal a 4 ohmios, 1 kHz)

SA-CT770:

Frontal I/Frontal D: 105W (por canal a 4 ohmios, 1 kHz)

Modelos para Canadá:

POTENCIA DE SALIDA (nominal)

Frontal I + Frontal D: 50 W + 50 W
(a 4 ohmios, 1 kHz, 1% THD)

POTENCIA DE SALIDA (referencia)

SA-CT370:

Frontal I/Frontal D: 100 W (por canal a 4 ohmios, 1 kHz)

SA-CT770:

Frontal I/Frontal D: 105W (por canal a 4 ohmios, 1 kHz)

Entradas

HDMI IN 1/2/3*

ANALOG IN

DIGITAL IN (OPT (TV))

* Estas 3 tomas son idénticas. Usar cualquiera de ellas es indistinto.

Salida

HDMI OUT (TV (ARC))

Sección BLUETOOTH

Sistema de comunicación

Especificación BLUETOOTH versión 3.0

Salida

Especificación BLUETOOTH clase de energía 2

Rango máximo de comunicación

Línea visual aprox. 10 m (33 pies)¹⁾

Número máximo de dispositivos a registrarse

9 dispositivos

Banda de frecuencia

Banda de 2,4 GHz (2,4000 GHz a 2,4835 GHz)

Método de modulación

FHSS (Freq Hopping Spread Spectrum)

Perfiles BLUETOOTH compatibles²⁾

A2DP (Advanced Audio Distribution Profile)

AVRCP 1.3 (Audio Video Remote Control Profile)

Códecs compatibles³⁾

SBC⁴⁾, AAC⁵⁾

Rango de transmisión (A2DP)

20 Hz - 20.000 Hz (frecuencia de muestreo de 44,1 kHz)

- 1) El rango real varía según distintos factores, como obstáculos entre los dispositivos, campos magnéticos de un horno de microondas, electricidad estática, teléfono inalámbrico, sensibilidad de recepción, sistema operativo, aplicación de software, etc.
- 2) Los perfiles BLUETOOTH estándar indican el objetivo de la comunicación BLUETOOTH entre los dispositivos.
- 3) Códec: Compresión de señal de audio y formato de conversión
- 4) Códec de banda secundaria:
- 5) Codificación de audio avanzada

continuación

Sección Altavoces Frontal L/Frontal R

Sistema de altavoz

SA-CT370: Sistema de altavoz de rango completo, suspensión acústica

SA-CT770: Sistema de altavoz bidireccional, suspensión acústica

Altavoz

SA-CT370: 60 mm (2 3/8 pulgadas) tipo cónico

SA-CT770: Woofer de tipo cónico de 60 mm (2 3/8 pulgadas)

Altavoz de agudos con unidad de balance de 20 mm (13/16 pulgadas)

Impedancia nominal

4 ohmios

General

Requisitos de alimentación

120 V CA, 60 Hz

Consumo de energía

Encendido: 34 W

Modo en espera (el Control para HDMI está configurado en encendido): 0,5 W o menos

Modo en espera (el Control para HDMI está configurado en apagado): 0,3 W o menos

Modo en espera de BLUETOOTH: 0,5 W o menos

Dimensiones (aprox.) (an./al./prf.)

SA-CT370:

900 mm × 50 mm × 113 mm (35 1/2 pulgadas × 2 pulgadas × 4 1/2 pulgadas)

(sin los soportes de montaje en la pared)

900 mm × 113 mm × 72 mm (35 1/2 pulgadas × 4 1/2 pulgadas × 2 7/8 pulgadas)

(con los soportes de montaje en la pared)

SA-CT770:

1030 mm × 50 mm × 113 mm (40 5/8 pulgadas × 2 pulgadas × 4 1/2 pulgadas)

(sin los soportes de montaje en la pared)

1030 mm × 113 mm × 72 mm (40 5/8 pulgadas × 4 1/2 pulgadas × 2 7/8 pulgadas)

(con los soportes de montaje en la pared)

Peso (aprox.)

SA-CT370: 2,4 kg (5 libras 4 5/8 onzas)

SA-CT770: 2,6 kg (5 libras 11 3/4 onzas)

Subwoofer (SA-WCT370, SA-WCT770)

POTENCIA DE SALIDA (referencia)

SA-WCT370: 100 W (por canal a 4 ohmios, 100 Hz)

SA-WCT770: 120 W (por canal a 4 ohmios, 100 Hz)

Sistema de altavoz

Sistema Subwoofer, reflejo de graves

Altavoz

SA-WCT370: Tipo cónico de 100 mm × 150 mm (4 pulgadas × 6 pulgadas)

SA-WCT770: Tipo cónico de 160 mm (6 3/8 pulgadas)

Impedancia nominal

4 ohmios

Requisitos de alimentación

120 V CA, 60 Hz

Consumo de energía

Encendido: 30 W

Modo en espera: 0,5 W o menos

Dimensiones (aprox.) (an./al./prf.)

SA-WCT370: 135 mm × 361,5 mm × 394 mm (5 3/8 pulgadas × 14 1/4 pulgadas × 15 5/8 pulgadas) (vertical)

361,5 mm × 135 mm × 394 mm (14 1/4 pulgadas × 5 3/8 pulgadas × 15 5/8 pulgadas) (horizontal)

SA-WCT770: 271 mm × 404 mm × 271 mm (10 3/4 pulgadas × 16 pulgadas × 10 3/4 pulgadas)

Peso (aprox.)

SA-WCT370: 7,0 kg (15 libras 6 7/8 onzas)

SA-WCT770: 8,8 kg (17 libras 10 1/2 onzas)

Sección de transmisión/recepción inalámbrica

Sistema de altavoz

Especificación del sonido inalámbrico versión 2.0

Banda de frecuencia

2,4 GHz (2,4000 GHz - 2,4835 GHz)

Método de modulación

Pi / 4 DQPSK

Formatos de entrada de audio digital compatibles con el sistema

Dolby Digital	DTS-HD Master Audio*
Dolby Digital Plus*	DTS-HD High Resolution Audio*
Dolby TrueHD*	DTS-HD Low Bit Rate*
DTS	Linear PCM 2ch 48 kHz o menos
DTS 96/24	Linear PCM Maximum 7.1ch 192 kHz o menos*

* Es posible transmitir estos formatos sólo mediante conexión HDMI.

Formatos de video compatibles con el sistema

Entrada/Salida (Repetidor HDMI)

Archivo	2D	3D		
		Empaqueta do de trama	Lado a lado (medio)	Sobre-Debajo (Superior e inferior)
4096 × 2160p @ 59,94/60 Hz ¹	○	-	-	-
4096 × 2160p @ 50 Hz ¹	○	-	-	-
4096 × 2160p @ 23,98/24 Hz ²	○	-	-	-
3840 × 2160p @ 59,94/60 Hz ¹	○	-	-	-
3840 × 2160p @ 50 Hz ¹	○	-	-	-
3840 × 2160p @ 29,97/30 Hz ²	○	-	-	-
3840 × 2160p @ 25 Hz ²	○	-	-	-
3840 × 2160p @ 23,98/24 Hz ²	○	-	-	-
1920 × 1080p @ 59,94/60 Hz	○	-	○	○
1920 × 1080p @ 50 Hz	○	-	○	○
1920 × 1080p @ 29,97/30 Hz	○	○	○	○
1920 × 1080p @ 25 Hz	○	○	○	○
1920 × 1080p @ 23,98/24 Hz	○	○	○	○
1920 × 1080i @ 59,94/60 Hz	○	○	○	○
1920 × 1080i @ 50 Hz	○	○	○	○
1280 × 720p @ 59,94/60 Hz	○	○	○	○
1280 × 720p @ 50 Hz	○	○	○	○
1280 × 720p @ 29,97/30 Hz	○	○	○	○
1280 × 720p @ 23,98/24 Hz	○	○	○	○
720 × 480p @ 59,94/60 Hz	○	-	-	-
720 × 576p @ 50 Hz	○	-	-	-
640 × 480p @ 59,94/60 Hz	○	-	-	-

¹ YCbCr 4:2:0/Solo 8 bits compatible

² Solo 8 bits compatible

El diseño y las especificaciones están sujetos a cambios sin previo aviso.

HDMI

<http://www.sony.net/>

©2014 Sony Corporation Printed in China



* 4 4 8 8 9 7 0 1 1 * (1)

4-488-970-11(1)