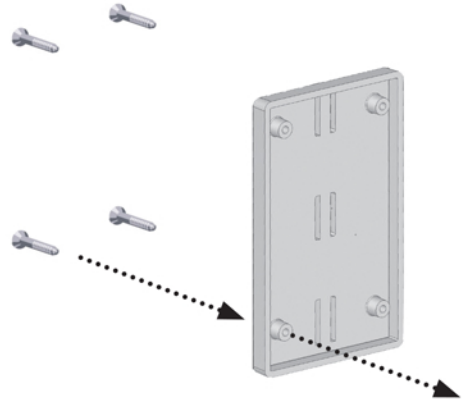
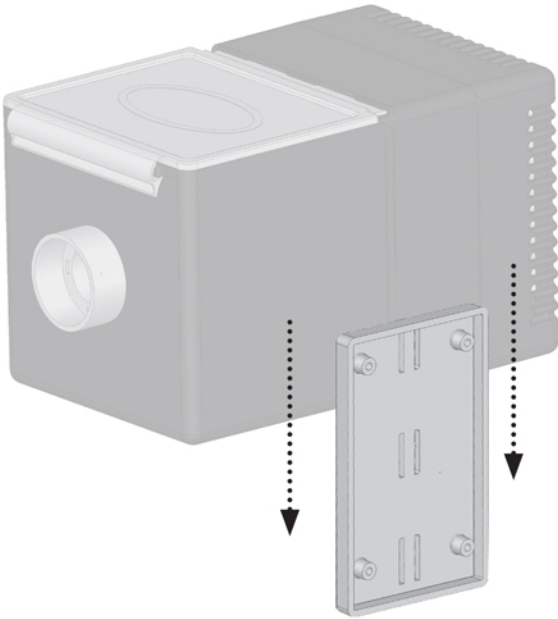




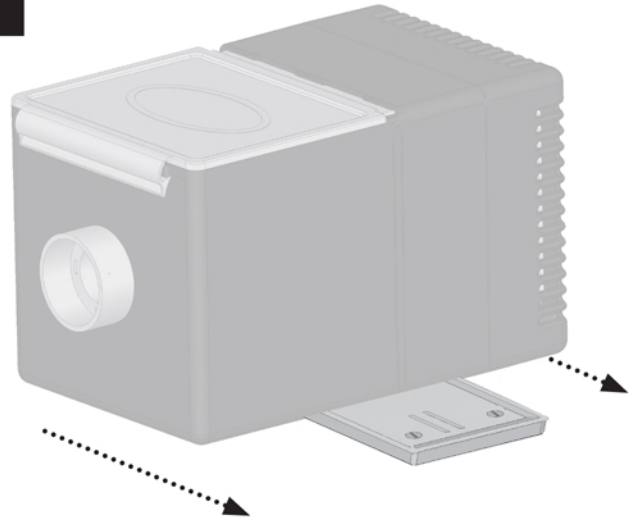
1



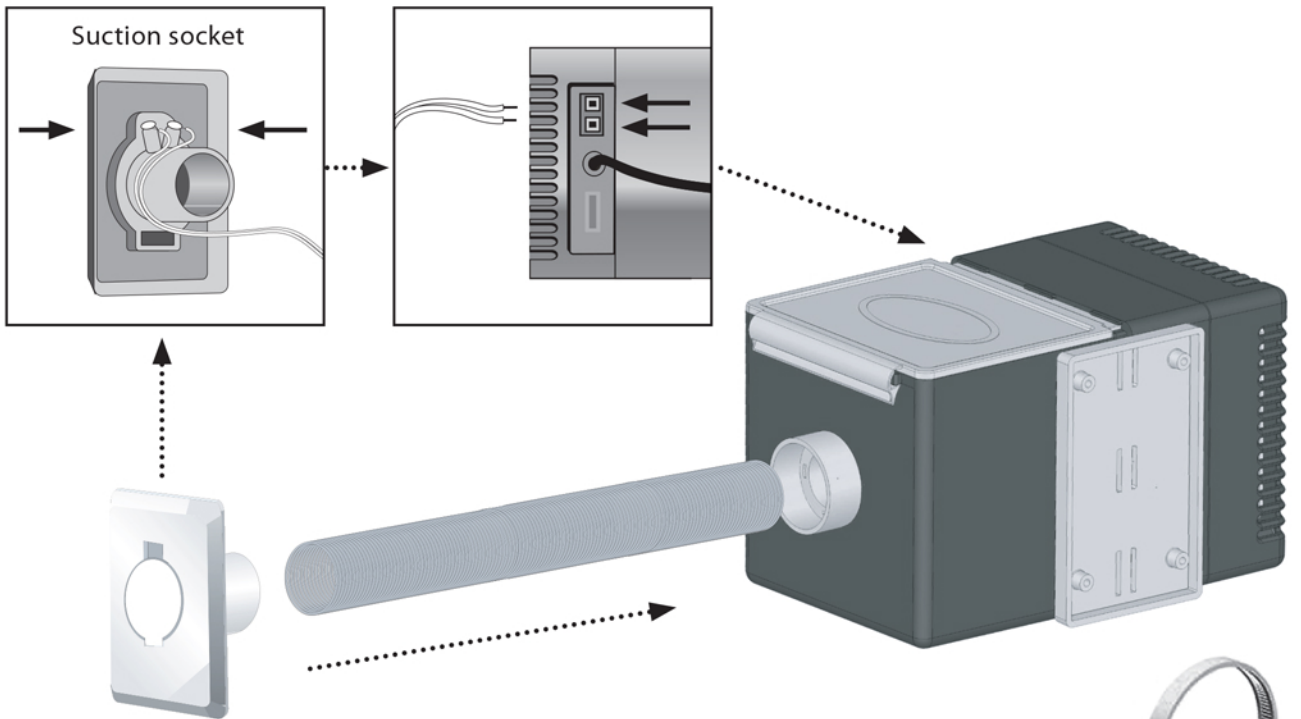
2



3



4



TIP: use a hollow drill of 60mm diameter to install the suction socket.

Use only at 24 Volt 20 Amp nom. installation according to Body Builder Guidelines

Use this tyrap for fixation hose on the wall

