

IP AutoSwitch Installation Instructions



Technical Support

If you need technical assistance, please contact KVH Technical Support:

North/South America, Australia, New Zealand:

Phone: +1 401 847-3327

E-mail: support@kvh.com

Europe, Middle East, Asia, Africa:

Phone: +45 45 160 180

E-mail: support@emea.kvh.com

These instructions explain how to add an IP AutoSwitch to a TracVision® TV-series system.

Step 1 - Inspect Parts

Follow these steps to inspect the kit contents.

- Unpack the box and ensure it contains one each of the following items:
 - 3 ft (1 m) Ethernet cable
 - 2 ft (60 cm) RF cable
 - Adhesive-backed Velcro strip
- Carefully examine all of the supplied parts to ensure nothing was damaged in shipment.
- Locate the serial number on the bottom of the IP AutoSwitch (see [Figure 2](#)) and record it in the space below. You will need this number later.

S/N _____

Step 2 - Choose a Mounting Location

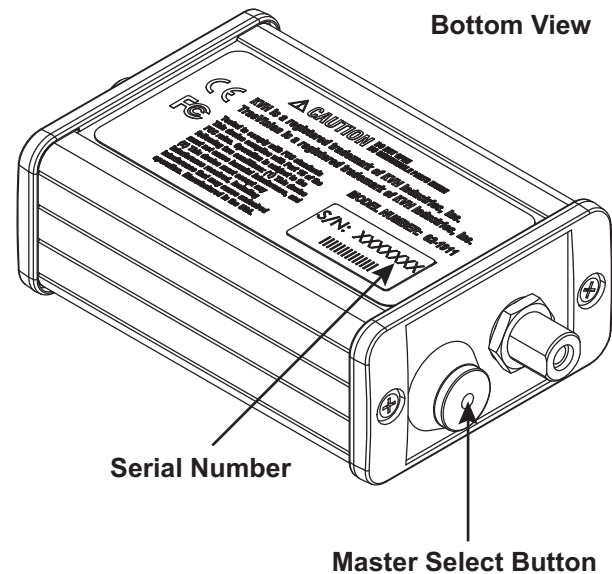
Choose a mounting location that meets the following requirements:

- Dry, well-ventilated, and away from heat sources
- Provides a clear view of and easy access to the Master Select button (see [Figure 2](#))
- Provides adequate clearance for running the cables and allows for service loops and strain relief
- Within 2 ft (60 cm) of the associated receiver in order to use the supplied cable
- Either a horizontal or vertical surface

Figure 1: IP AutoSwitch



Figure 2: Serial Number and Master Select Button

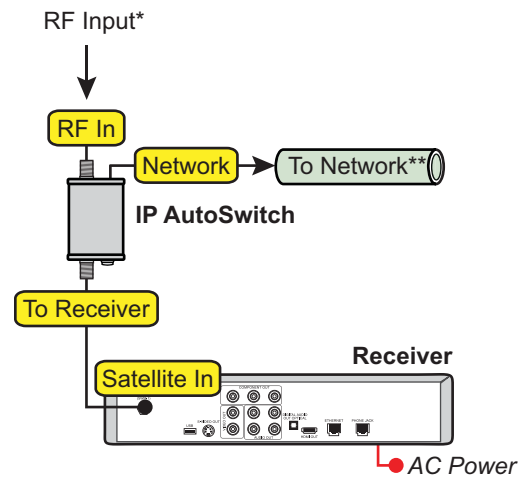


Step 3 - Wire the IP AutoSwitch

The wiring of the IP AutoSwitch depends on the specific configuration. Refer to the Installation Guide for complete wiring diagrams, while following the general wiring steps below:

- Disconnect the RF input cable from the receiver and connect it to the **RF In** jack on the IP AutoSwitch. Then tighten the hex nut to 15 in.-lbs of torque.
- Connect the supplied 2 ft (60 cm) RF cable from the **To Receiver** port on the IP AutoSwitch to the receiver's satellite input and tighten the hex nut to 15 in.-lbs of torque.
- Using the supplied Ethernet cable, connect the Network port of the IP AutoSwitch to the onboard network. If a network is not available, install a router as shown in Figure 3.
- If not already connected, connect the TV-Hub to the onboard network (see Figure 3).
- Using the supplied Velcro strip, secure the IP AutoSwitch to the mounting surface.

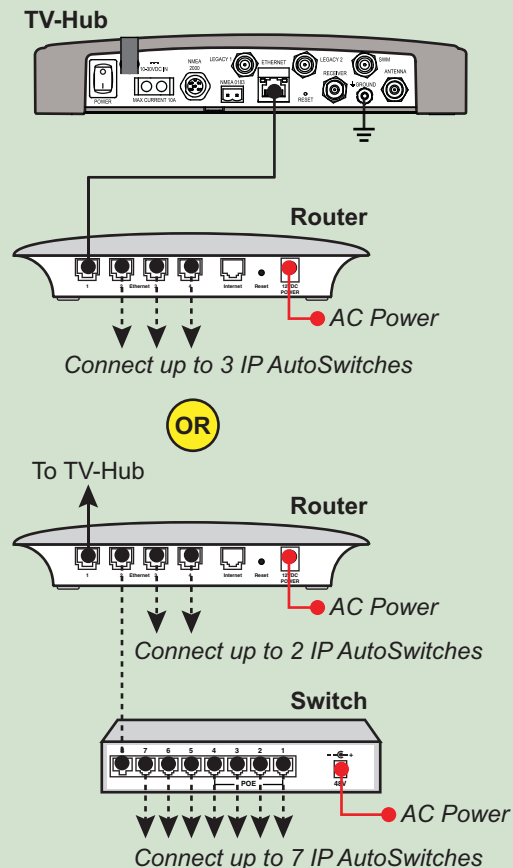
Figure 3: IP AutoSwitch Connections



* Varies depending on your system configuration (see your TV-Series Installation Guide for details)

** Network Connections

Using the supplied Ethernet cable, connect the IP AutoSwitch to the onboard network. If you do not have a network, install a router or router and switch as shown below.



Step 4 - Connect to the Web Interface

Choose one of the following methods to connect to the TV-Hub's web interface:

- Using any Wi-Fi-enabled mobile device (such as a smartphone, tablet, or laptop), select the **TV-Hub-<TV-Hub serial number>** network from your device's Wi-Fi settings. Then start your web browser and enter **http://tvhub.kvh**.
- Connect your computer to the onboard network and enter the TV-Hub's IP address in your web browser. (The IP address can be found on the **Settings** page of the web interface.)

Step 5 - Configure the IP AutoSwitch

Follow these steps to configure the IP AutoSwitch.

NOTE: KVH recommends that you run the Setup Wizard in the web interface whenever you change your system's configuration by adding or removing devices.

- At the AutoSwitch page of the web interface, select **Add IP AutoSwitch** (Figure 4).
- Enter the serial number and a friendly name for the IP AutoSwitch (for example, "Salon").
- Select **Save** to save changes.

Step 6 - Select a Master Receiver

Any receiver connected to an IP AutoSwitch can become the master receiver for the system. The master receiver controls satellite selection.

Important!

The TV-Hub has a built-in IP AutoSwitch. Any receiver connected directly to the TV-Hub can therefore be selected as a master receiver through the web interface.

- To choose a master receiver, select it at the Home page of the web interface, or press the Master Select button on the associated IP AutoSwitch.
- Verify that the LED in the Master Select button on the IP AutoSwitch is lit green (see Figure 5). The LEDs for any other IP AutoSwitches should be lit orange.

The installation procedure is complete!

Figure 4: Add IP AutoSwitch Screen

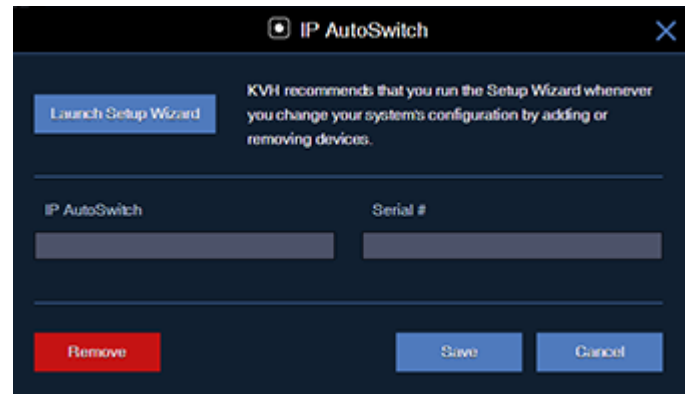


Figure 5: IP AutoSwitch LED Status Indications

LED Color	Indication
Orange	Registered with the system but not currently the master
Orange, flashing	Initializing
Red	Error: <ul style="list-style-type: none">• unable to communicate with the system,• network is not detected, or• unable to register
Green	Registered with the system and currently the master