

SoundTouch™ 30 Series I & II


Wi-Fi Music System



CONTENTS

Safety Information	3
Specifications	4
Part List Notes	5
Electrostatic Discharge Sensitive (ESDS) Device Handling	5
Warranty	5
Product Description	6
Packaging Part List	7
Figure 1. Packaging Exploded View	7
Speaker Assembly Part List	8
Figure 2. Speaker Assembly Exploded View	9
Electrical Part Lists	10-22
Disassembly Procedures	23-26
Top Cap, End Cap, Grille and Rear Cover Installation	27-29
Audio Test Procedures	30
Tap Command Set Up	31-32
WiFi Test Procedure	33
Functional Test Procedures	34
Serial Number and Country Code Programing	35
TAP Commands	36-37
Back Door Key Presses	38
Hi-Pot Test	39
Revision History	40

SAFETY INFORMATION

1. Parts that have special safety characteristics are identified by the  symbol on schematics or by special notes on the parts list. Use only replacement parts that have critical characteristics recommended by the manufacturer.
2. **Safety Testing** – See Hi Pot Test on page 33 for details.

CAUTION: The Soundtouch™ 30 Wi-Fi Music System contains no user-serviceable parts. To prevent warranty infractions, refer servicing to warranty service stations or factory service.

WARNING: Danger of explosion if remote battery is incorrectly replaced. Replace with only Duracell, Eveready, Energizer, Maxell or Toshiba CR2032 or DL2032 3-volt lithium battery.

PROPRIETARY INFORMATION

THIS DOCUMENT CONTAINS PROPRIETARY INFORMATION OF BOSE CORPORATION WHICH IS BEING FURNISHED ONLY FOR THE PURPOSE OF SERVICING THE IDENTIFIED BOSE PRODUCT BY AN AUTHORIZED BOSE SERVICE CENTER OR OWNER OF THE BOSE PRODUCT, AND SHALL NOT BE REPRODUCED OR USED FOR ANY OTHER PURPOSE.

SPECIFICATIONS

Electrical

Input Power Rating:

U.S.A/Canada/Japan 100-120VAC 50/60Hz, 150W

International: 220-240VAC 50/60Hz, 150W

Acoustic

Drivers:

Size: 2 - 50 mm Twiddler® speakers

Nominal Impedance: 4 Ohms

Port Tuning: 230 Hz

Woofers:

Size: 116mm

Nominal Impedance: 1 Ohm

Port Tuning: 47 Hz

Physical Description

Dimensions: 9.7"H x 17.1"W x 5.5"D (24.7 cm x 43.5 cm x 18.1 cm)

Weight: 18.5 lb (8.4 kg)

Enclosure: Ultrasonically welded PC/ABS plastic

ELECTROSTATIC DISCHARGE SENSITIVE (ESDS) DEVICE HANDLING


This unit contains ESDS devices. We recommend the following precautions when repairing, replacing or transporting ESDS devices:

- Perform work at an electrically grounded work station.
- Wear wrist straps that connect to the station or heel straps that connect to conductive floor mats.
- Avoid touching the leads or contacts of ESDS devices or PC boards even if properly grounded. Handle boards by the edges only.
- Transport or store ESDS devices in ESD protective bags, bins, or totes. Do not insert unprotected devices into materials such as plastic, polystyrene foam, clear plastic bags, bubble wrap or plastic trays.

WARRANTY

The SoundTouch™ 30 Digital Music Systems are covered by a one year limited warranty in the US/ Canada and the rest of the world with the exception of Europe. The warranty is two years in Europe.

PART LIST NOTES

1. The individual parts located on the PCBs are listed in the Electrical Part List.
2. This part is referenced for informational purposes only. It is not stocked as a repair part. Refer to the next higher assembly for a replacement part.
3.  This part is critical for safety purposes. Failure to use a substitute replacement with the same safety characteristics as the recommended replacement part might create shock, fire and/or other hazards.

PRODUCT OVERVIEW

PRODUCT DESCRIPTION

The SoundTouch™ 30 WiFi Music System is an elegant, stationary, wireless music system that contains wireless source capability as well as six press-and-play presets. Wi-Fi lets the SoundTouch system stream internet content directly from the cloud, connect to AirPlay devices, and play computer music. Wi-Fi makes it easy to use because it is always ready, enabling six press-and-play presets that give one button, instant access to advanced digital music. The SoundTouch 30 has the same premium performance of SoundDock 10 (SD10) in an enclosure that is slightly taller, but without the dock area, to accommodate the antennas for Wi-Fi.

SoundTouch 30 WiFi Music System includes:

- + The same premium acoustic performance of SoundDock 10
- + The following source connections: Wi-Fi, and a 3.5mm Aux-In
- + A new, elegant industrial design that differentiates it from the SoundDock family
- + Physical buttons on the product (six presets, plus volume and power at a minimum)
- + A remote control with six presets, volume and transport controls as well as source selection

REMOTE CONTROL

An infrared remote control is included. It uses a CR2032 battery.



SOFTWARE UPGRADES

A thumb drive with a software file can be used to update the SoundTouch 30. The software file is available on the Technical Services website. Software updates are also available on Bose.com once the product is connected via SoundTouch software.

FACTORY DEFAULT

A factory default is required after the repair is complete. Press and hold “volume -” and “preset 1” at the same time for 10 seconds, then release to restore the unit to factory default settings. This will clear all customer router, password and Bose account information. A slip-sheet shall be added to every outgoing repair describing how to connect the product to the router and reconnect to the customer's Bose account. The slip sheet will be available to download as a PDF on the Technical Services website.

PACKAGING PART LIST

Bose® SoundLink™ 30 Wi-Fi Music System

Item Number	Description	Part Number	Note
1	LETTER, COMMITMENT	343108-0010	
2	PACKING, TRAY, PULP, BOT, 25.8X21.5X6IN, ST30	355081-0010	
3	GLOBAL WARRANTY CARD, 1 YR	324486-0010	
	AU/NZ WARR SLIP SHEET 8.5 X 5.5, AP only	355731-0010	
4	CABLE, SIGNAL, USB, MICRO/USB-A, MALE, 36IN	330816-0010	
5	LINE CORD, 120V, NON-POL, DET, BLK, 1500	279101-1310	3, ⚠
	LINE CORD, 220V, EUR, DET, BLK	280135-1310	
	LINE CORD, 100V, JPN, DET, BLK	280136-1310	
	LINE CORD, 230V, UKS, DET, BLK	280138-1310	
	LINE CORD, 230V, KOREA, BLK	311668-1310	
	LINE CORD, 240V, AUS, DET, BLK	284243-1310	
6	PACKING, TRAY, PULP, TOP, 22.3X21.5X4.3, ST30	355080-0010	
7	CARTON, RSC, 21.63X14.5X10.56IN, ST30, WHT	355079-0010	
	CARTON, RSC, 21.63X14.5X10.56IN, ST30, BLK	369847-0010	

Item Number	Description	Part Number	Note
8	REMOTE, IR, SOUNDLINK, WHT	355239-1010	3, ⚠
	REMOTE, IR, SOUNDLINK, BLK	355239-0010	
9	BAG, FOAM, PE, 23X17X.08IN, 2.5IN LIP	355086-0010	
10	PAD, PACKING, DC, 200B, 13.87X8.25IN, ST30	361847-0010	
-	PACKING, INSERT, SCORED SHEET, 17.25X9.75IN (protects the grille)	627044-0010	
-	BAG, POLY, 14.38x9.87x2 mil	103351	
-	CONTACT SHEET, SOUNDTOUCH, US	373202-0010	
-	CONTACT SHEET, SOUNDTOUCH, EU	372836-0010	
-	CONTACT SHEET, SOUNDTOUCH, AP	372837-0010	
-	QSG, SOUNDTOUCH 30, 20, PORT, AST	727573-0010	
-	QSG, SOUNDTOUCH 30, 20, PORT, EUR 1OF2	727928-0010	
-	QSG, SOUNDTOUCH 30, 20, PORT, EUR 2OF2	727927-0010	
-	QSG, SOUNDTOUCH 30, 20, PORT, APAC 1OF2	727930-0010	
-	QSG, SOUNDTOUCH 30, 20, PORT, APAC 2OF2	727931-0010	
-	SHEET, SAFETY, SOUNDTOUCH 30/20, PORT	369732-0010	
-	LABEL, CARTON, SOUNDTOUCH 30	729308-0020	

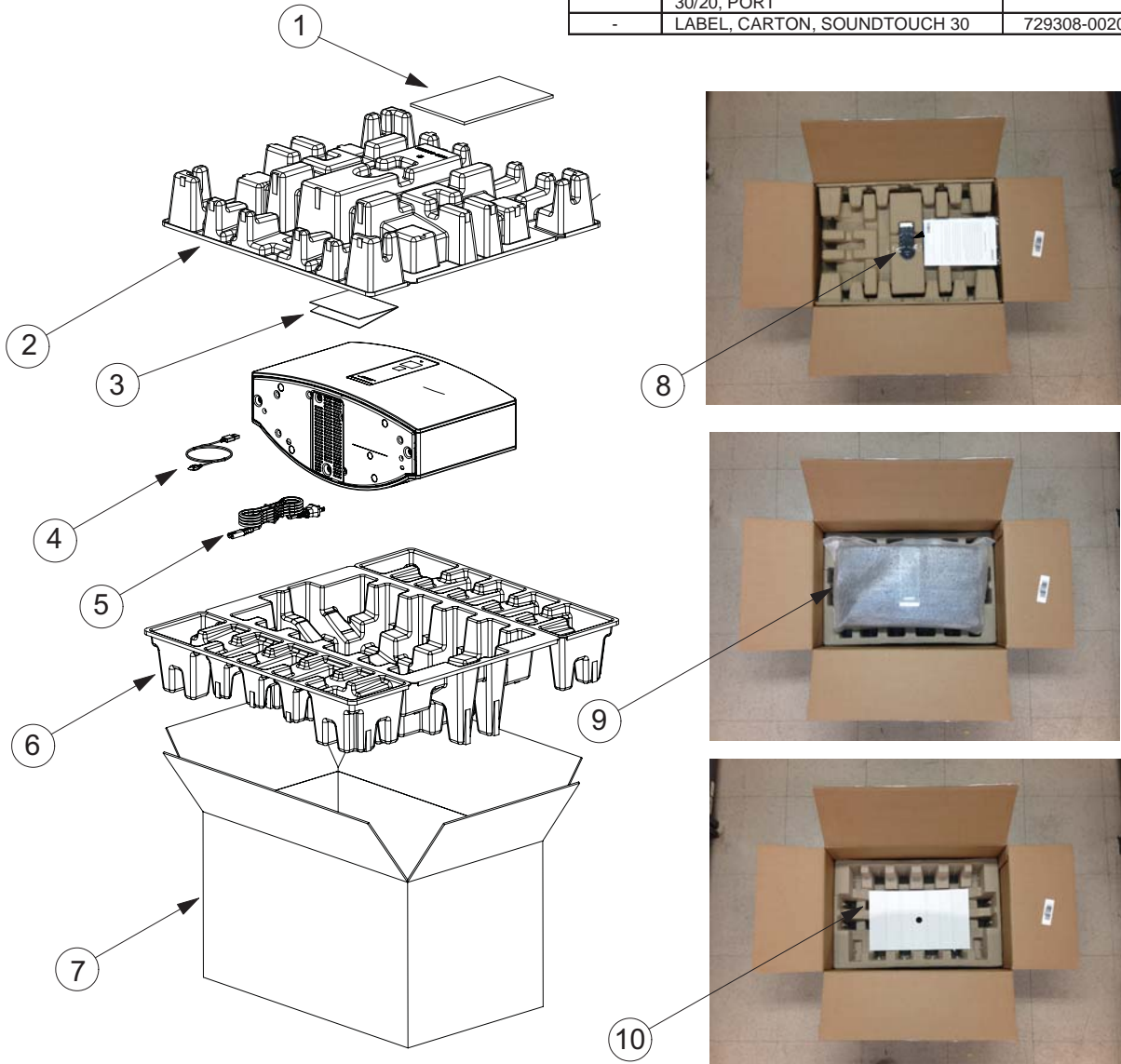


Figure 1. Packing Exploded View

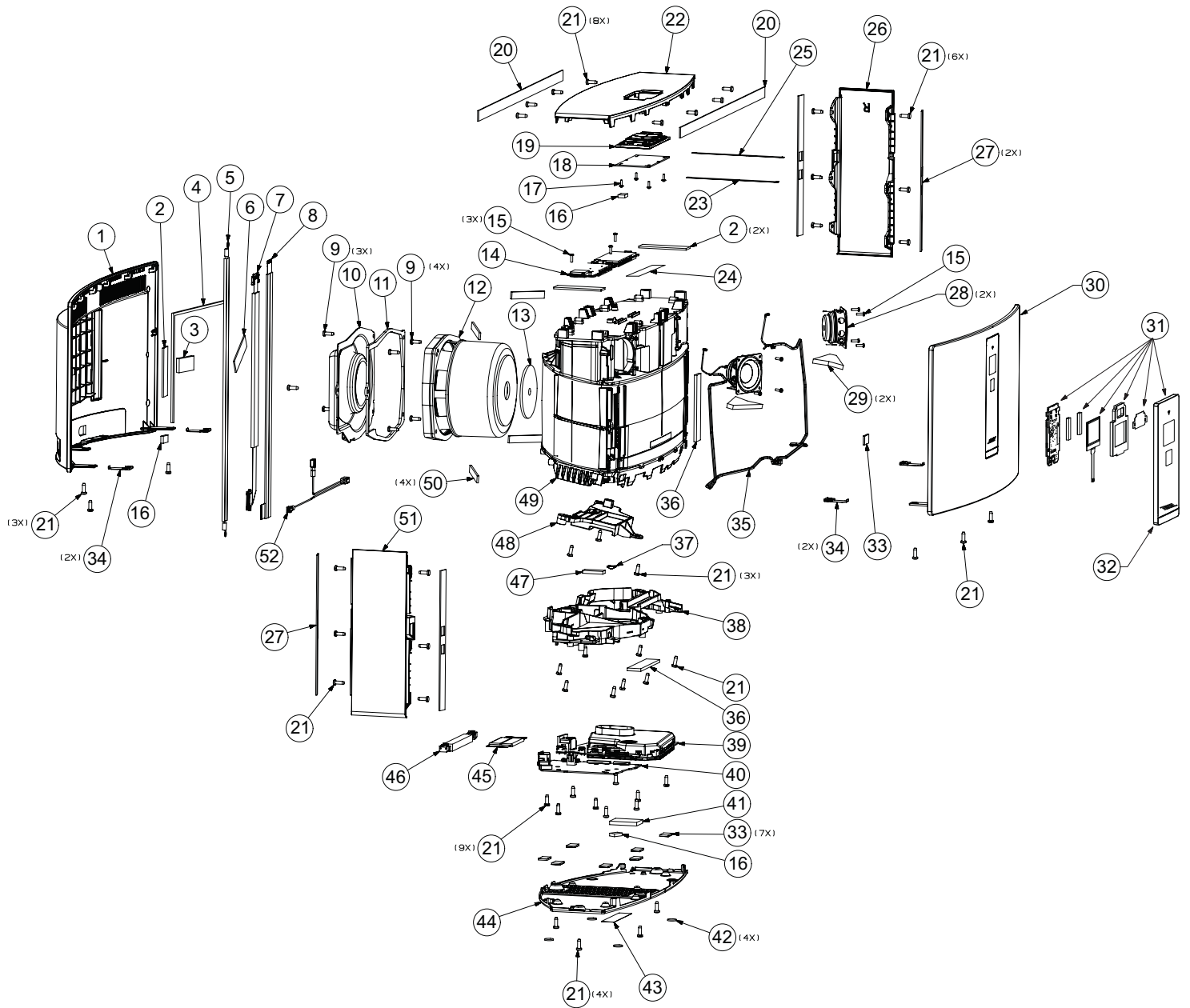
SPEAKER ASSEMBLY PART LIST

Bose® SoundTouch™ 30 WiFi Music System

Item Number	Description	Part Number	Note
1	COVER, REAR, SOUNDLINK 30, GRY	355068-0020	3, ⚠
	COVER, REAR, SOUNDLINK 30, BLK	355068-0110	
2	TAPE, FOAM, PORON, 70X20X3.05mm	369746-0010	
3	TAPE, FOAM, 35X20X4.78mm	627255-0010	
4	GASKET, FOAM, PORT	311943-0010	
5	HARNESS, GROUND STRAP, W/FOAM	374892-0020	
6	PAD, RUBBER	374380-0010	
7	CABLE ASSY, FFC, STRAIGHT, 31POS	360505-0010	
8	CABLE, FFC, MOJO, 0.5mm, 1 FOLD, 42COND, 470mm	355057-0010	
9	SCREW, TAP, 8-11X.625, PAN, XRC/SQ	289389-010	
10	COVER, WOOFER, E-COAT	310388-002	
11	Gasket, Wave Guide	313891-004	
12	TRANSDUCER ASSEMBLY, 116mm	324318-001S	3, ⚠
13	Gasket, Center Plug	316806-002	
14	SOUNTOUCH, WI-FI MODULE, SINGLE PACK	625125-031S or 625125-041S	
15	SCREW, TAPP, 4-16X.38, PAN, XREC	288372-006	
16	TAPE, FOAM, PORON, 15X10X4.78mm	369747-0010	
17	SCREW, SELF TAPPING, M2.5X7mm, WASHER, TORX	357328-0070	
18	PCB ASSY, SOUNDTOUCH 20/30, BTTN, BULK PACK	359563-0010	
	PCB ASSY, SOUNDTOUCH 20/30, BTTN, SINGLE PACK	359563-001S	
19	KEYPAD ASSY, PULSE GRAY	354213-0020	
	KEYPAD ASSY, PULSE BLACK	354213-0010	
20	TAPE, FOAM, PORON, 1.25X423X10mm	360493-0060	
21	SCREW, TAPP, 8-11x.5, PAN, XREC/SQ	289388-008	
22	TOP CAP, IMD, NO HARDCOAT, WHT	355065-0020	3, ⚠
	TOP CAP, IMD, NO HARDCOAT, BLK	355065-0010	
23	CABLE, FFC, MOJO, AD, 0.5mm, 12COND, 135mm	355056-0020	
24	TAPE, POLYIMIDE, 2.5ML 0.001 Roll	137926	
25	CABLE, FFC, MOJO, 0.5mm, 10COND, 90mm	355055-0010	
26	ENDCAP, RIGHT, IMD, INK, NO HARDCOAT, WHT	355064-0020	3, ⚠
	ENDCAP, RIGHT, IMD, INK, NO HARDCOAT, BLK	355064-0010	

Item Number	Description	Part Number	Note
27	TAPE, FOAM, PORON, SLIDE	357318-0020	
28	TWIDDLER, 50mm	359302-0010	3, ⚠
29	FOAM, ACOUSTIC	313881-001	
30	GRILLE ASSY, GRY	357322-0030	3, ⚠
	GRILLE ASSY, BLK	357322-0010	
31	DISPLAY (includes lens and display board)	625094-001S	
32	LENS, SOUNDTOUCH 30	357185-0010	
33	FOAM, GRILLE, ARRAY	272036-001	
34	CLIP, GRILLE	359456-0010	
35	HARNESS, TWIDDLER	318606-0020	
36	TAPE, FOAM, CENTER	360493-0010	
37	GASKET, SHIELDING, BLACK	347824-0010	
38	BRACKET, BOTTOM	354742-0010	3, ⚠
39	PCB, SOUNDTOUCH 30 , PWR SPLY, 120V, US, SINGLE PACK	354778-001S	3, ⚠
	PCB, SOUNDTOUCH 30 , PWR SPLY, 120V, US, BULK PACK	354778-0010	
	PCB, SOUNDTOUCH 30 , PWR SPLY, 240V, EU, SINGLE PACK	354778-002S	
	PCB, SOUNDTOUCH 30 , PWR SPLY, 240V, EU, BULK PACK	354778-0020	
40	PCB ASSY, SOUNDTOUCH 30 , I/O, BULK PACK	354979-0010	
	PCB ASSY, SOUNDTOUCH 30 , I/O, SINGLE PACK	354979-001S	
41	GASKET, EMI, FOAM, 40X30X5mm	323770-0020	3, ⚠
42	FOOT, RUBBER, 12.5 DIA	627991-0010	3, ⚠
43	LABEL, VOLTAGE WARNING	359403-0010	
44	BASEPLATE, SOUNDLINK WIFI, A-COAT	355066-0010	3, ⚠
45	CABLE, FFC, DSP, SHLD, 30COND, 99.5mm	311560-0050	
46	HARNESS, AC POWER, 300V, 2COND, 140mm	330634-0030	
47	PAD, THERMAL	311554-0010	
48	HEATSINK, MOJO, PWR SUPPLY	357258-0010	3, ⚠
49	WELDED ASSY, LC-WG-TB-TC	627487-001S	3, ⚠
50	TAPE, FOAM, 70X10X2.36mm	627256-0010	
51	ENDCAP, LEFT, IMD, INK, NO HARDCOAT, WHT	355062-0020	3, ⚠
	ENDCAP, LEFT, IMD, INK, NO HARDCOAT, BLK	355062-0010	
52	HARNESS, WOOFER,	318605-0010	

See Page 9 for diagram



**Figure 2. Speaker Assembly
Exploded View**

ELECTRICAL PART LIST

SoundTouch™ Common Module PCB Assembly

Resistors

Reference Designator	Description	Part Number	Note
R13	51 OHM, 0402 ARRAY, 4 5%, 0.063W	354737-510J4	
R14	51 OHM, 0402 ARRAY, 4 5%, 0.063W	354737-510J4	
R15	0 OHM, JUMPER, 0402	280043	
R16	0 OHM, JUMPER, 0402	280043	
R27	220 OHM, 0402 ARRAY, 4 5%, 0.063W	354737-221J4	
R123	121 OHM, 0402, 63mW, 1%	268361-121R	
R124	30.1 OHMS, 0402, 0.063W, 1%	268361-30R1	
R125	5.76K, 0402, 63mW, 1%	268361-5761	
R126	5.76K, 0402, 63mW, 1%	268361-5761	
R127	5.76K, 0402, 63mW, 1%	268361-5761	
R128	187 OHM, 0402, 63mW, 1%	268361-187R	
R129	187 OHM, 0402, 63mW, 1%	268361-187R	
R132	392 OHM, 0402, 63mW, 1%	268361-392R	
R133	51 OHMS, 0402, 0.063W, 1%	268361-51R0	
R134	100 OHM, 0402, 63mW, 1%	268361-1000	
R135	100 OHM, 0402, 63mW, 1%	268361-1000	
R136	100 OHM, 0402, 63mW, 1%	268361-1000	
R137	100 OHM, 0402, 63mW, 1%	268361-1000	
R138	0 OHM, JUMPER, 0402	280043	
R139	0 OHM, JUMPER, 0402	280043	
R140	100 OHM, 0402, 63mW, 1%	268361-1000	
R141	3.01K, 0402, 63mW, 1%	268361-3011	
R142	10.0K, 0402, 63mW, 1%	268361-1002	
R143	10.0K, 0402, 63mW, 1%	268361-1002	
R144	10.0K, 0402, 63mW, 1%	268361-1002	
R146	JUMPER, CHIP, 0603	196042	
R147	JUMPER, CHIP, 0603	196042	
R200	10.0K, 0402, 63mW, 1%	268361-1002	
R201	13.0K, 0402, 63mW, 1%	268361-1302	
R202	6.04K, 0402, 63mW, 1%	268361-6041	
R203	10.0K, 0402, 63mW, 1%	268361-1002	
R204	10.0K, 0402, 63mW, 1%	268361-1002	
R205	2.74K, 0402, 63mW, 1%	268361-2741	
R206	100 OHM, 0402, 63mW, 1%	268361-1000	
R207	1.50K, 0402, 63mW, 1%	268361-1501	
R208	10.0K, 0402, 63mW, 1%	268361-1002	
R209	10.0K, 0402, 63mW, 1%	268361-1002	
R210	10.0K, 0402, 63mW, 1%	268361-1002	
R211	10.0K, 0402, 63mW, 1%	268361-1002	
R212	0 OHM, JUMPER, 0402	280043	
R213	0 OHM, JUMPER, 0402	280043	
R214	10.0K, 0402, 63mW, 1%	268361-1002	
R215	100 OHM, 0402, 63mW, 1%	268361-1000	
R216	100 OHM, 0402, 63mW, 1%	268361-1000	
R217	10.0K, 0402, 63mW, 1%	268361-1002	
R218	10.0K, 0402, 63mW, 1%	268361-1002	
R219	4.75k, 0402, 0.063W, 1%	268361-4751	
R220	10.0K, 0402, 63mW, 1%	268361-1002	
R221	4.75k, 0402, 0.063W, 1%	268361-4751	
R225	100 OHM, 0402, 63mW, 1%	268361-1000	
R229	100 OHM, 0402, 63mW, 1%	268361-1000	
R240	10.0K, 0402, 63mW, 1%	268361-1002	
R242	10.0K, 0402, 63mW, 1%	268361-1002	
R243	10.0K, 0402, 63mW, 1%	268361-1002	
R244	10.0K, 0402, 63mW, 1%	268361-1002	
R245	10.0K, 0402, 63mW, 1%	268361-1002	
R246	0 OHM, JUMPER, 0402	280043	
R247	33 OHM, 0402, 1/16W, 1%	268361-33R0	
R276	10.0K, 0402, 63mW, 1%	268361-1002	
R279	0 OHM, JUMPER, 0402	280043	
R280	0 OHM, 0402 ARRAY, 4 CONVEX, 0.5A	357537-0020	
R281	0 OHM, 0402 ARRAY, 4 CONVEX, 0.5A	357537-0020	
R282	0 OHM, 0402 ARRAY, 4 CONVEX, 0.5A	357537-0020	
R283	0 OHM, 0402 ARRAY, 4 CONVEX, 0.5A	357537-0020	
R284	0 OHM, 0402 ARRAY, 4 CONVEX, 0.5A	357537-0020	
R285	0 OHM, 0402 ARRAY, 4 CONVEX, 0.5A	357537-0020	

Resistors

Reference Designator	Description	Part Number	Note
R286	0 OHM, 0402 ARRAY, 4 CONVEX, 0.5A	357537-0020	
R287	0 OHM, 0402 ARRAY, 4 CONVEX, 0.5A	357537-0020	
R288	0 OHM, 0402 ARRAY, 4 CONVEX, 0.5A	357537-0020	
R289	0 OHM, 0402 ARRAY, 4 CONVEX, 0.5A	357537-0020	
R290	0 OHM, 0402 ARRAY, 4 CONVEX, 0.5A	357537-0020	
R300	100 OHM, 0402, 63mW, 1%	268361-1000	
R302	1.00K, 0402, 63mW, 1%	268361-1001	
R304	100 OHM, 0402, 63mW, 1%	268361-1000	
R305	100 OHM, 0402, 63mW, 1%	268361-1000	
R307	10.0K, 0402, 63mW, 1%	268361-1002	
R308	10.0K, 0402, 63mW, 1%	268361-1002	
R309	10.0K, 0402, 63mW, 1%	268361-1002	
R311	100 OHM, 0402, 63mW, 1%	268361-1000	
R400	51 OHMS, 0402, 0.063W, 1%	268361-51R0	
R401	51 OHMS, 0402, 0.063W, 1%	268361-51R0	
R402	243 OHM, 0402, 63mW, 1%	268361-2430	
R406	49.9 OHM, 0402, 63mW, 1%	268361-49R9	
R407	51 OHMS, 0402, 0.063W, 1%	268361-51R0	
R408	100 OHM, 0402, 63mW, 1%	268361-1000	
R409	10.0K, 0402, 63mW, 1%	268361-1002	
R413	806 OHM, 0402, 63mw, 1%	268361-806R	
R414	1.00K, 0402, 63mW, 1%	268361-1001	
R415	33 OHM, 0402, 1/16W, 1%	268361-33R0	
R421	51 OHM, 0402 ARRAY, 4 5%, 0.063W	354737-510J4	
R422	51 OHM, 0402 ARRAY, 4 5%, 0.063W	354737-510J4	
R423	51 OHM, 0402 ARRAY, 4 5%, 0.063W	354737-510J4	
R424	51 OHM, 0402 ARRAY, 4 5%, 0.063W	354737-510J4	
R425	51 OHM, 0402 ARRAY, 4 5%, 0.063W	354737-510J4	
R426	51 OHM, 0402 ARRAY, 4 5%, 0.063W	354737-510J4	
R500	100 OHM, 0402, 63mW, 1%	268361-1000	
R501	100 OHM, 0402, 63mW, 1%	268361-1000	
R502	100 OHM, 0402, 63mW, 1%	268361-1000	
R503	10.0K, 0402, 63mW, 1%	268361-1002	
R504	100 OHM, 0402, 63mW, 1%	268361-1000	
R505	100 OHM, 0402, 63mW, 1%	268361-1000	
R506	10.0K, 0402, 63mW, 1%	268361-1002	
R507	5.76K, 0402, 63mW, 1%	268361-5761	
R508	4.75k, 0402, 0.063W, 1%	268361-4751	
R509	100 OHM, 0402, 63mW, 1%	268361-1000	
R510	100 OHM, 0402, 63mW, 1%	268361-1000	
R511	4.53k, 0402, 0.063W, 1%	268361-4531	
R513	10.0K, 0402, 63mW, 1%	268361-1002	
R514	10.0K, 0402, 63mW, 1%	268361-1002	
R515	10.0K, 0402, 63mW, 1%	268361-1002	
R516	100 OHM, 0402, 63mW, 1%	268361-1000	
R517	10.0K, 0402, 63mW, 1%	268361-1002	
R518	100 OHM, 0402, 63mW, 1%	268361-1000	
R519	100 OHM, 0402, 63mW, 1%	268361-1000	
R520	100 OHM, 0402, 63mW, 1%	268361-1000	
R521	100 OHM, 0402, 63mW, 1%	268361-1000	
R522	56.2K, 0402, 63mW, 1%	268361-5622	
R523	100 OHM, 0402, 63mW, 1%	268361-1000	
R524	1.00K, 0402, 63mW, 1%	268361-1001	
R525	10.0K, 0402, 63mW, 1%	268361-1002	
R528	100 OHM, 0402, 63mW, 1%	268361-1000	
R530	100 OHM, 0402, 63mW, 1%	268361-1000	
R531	100 OHM, 0402, 63mW, 1%	268361-1000	
R532	100 OHM, 0402, 63mW, 1%	268361-1000	
R534	10.0K, 0402, 63mW, 1%	268361-1002	
R535	1.00K, 0402, 63mW, 1%	268361-1001	
R537	100 OHM, 0402, 63mW, 1%	268361-1000	
R539	10.0K, 0402, 63mW, 1%	268361-1002	
R540	301 OHM, 0402, 63mW, 1%	268361-3010	
R541	301 OHM, 0402, 63mW, 1%	268361-3010	
R544	100 OHM, 0402, 63mW, 1%	268361-1000	

ELECTRICAL PART LIST

SoundTouch™ Common Module PCB Assembly

Resistors (continued)

Reference Designator	Description	Part Number	Note
R546	100 OHM, 0402, 63mW, 1%	268361-1000	
R547	100 OHM, 0402, 63mW, 1%	268361-1000	
R548	100 OHM, 0402, 63mW, 1%	268361-1000	
R549	56.2K, 0402, 63mW, 1%	268361-5622	
R550	56.2K, 0402, 63mW, 1%	268361-5622	
R551	100 OHM, 0402, 63mW, 1%	268361-1000	
R552	100 OHM, 0402, 63mW, 1%	268361-1000	
R553	56.2K, 0402, 63mW, 1%	268361-5622	
R554	56.2K, 0402, 63mW, 1%	268361-5622	
R555	1.50K, 0402, 63mW, 1%	268361-1501	
R560	56.2K, 0402, 63mW, 1%	268361-5622	
R561	56.2K, 0402, 63mW, 1%	268361-5622	
R562	100 OHM, 0402, 63mW, 1%	268361-1000	
R564	100 OHM, 0402, 63mW, 1%	268361-1000	
R565	100 OHM, 0402, 63mW, 1%	268361-1000	
R566	100 OHM, 0402, 63mW, 1%	268361-1000	
R600	4.53K, 0402, 0.063W, 1%	268361-4531	
R601	10.0K, 0402, 63mW, 1%	268361-1002	
R602	4.53K, 0402, 0.063W, 1%	268361-4531	
R603	340 OHM, 0402, 63mW, 1%	268361-3400	
R604	340 OHM, 0402, 63mW, 1%	268361-3400	
R606	100 OHM, 0402, 63mW, 1%	268361-1000	
R607	10.0K, 0402, 63mW, 1%	268361-1002	
R608	10.0K, 0402, 63mW, 1%	268361-1002	
R609	10.0K, 0402, 63mW, 1%	268361-1002	
R610	10.0K, 0402, 63mW, 1%	268361-1002	
R611	100 OHM, 0402, 63mW, 1%	268361-1000	
R612	100 OHM, 0402, 63mW, 1%	268361-1000	
R613	100 OHM, 0402, 63mW, 1%	268361-1000	
R614	100 OHM, 0402, 63mW, 1%	268361-1000	
R615	10.0K, 0402, 63mW, 1%	268361-1002	
R616	100 OHM, 0402, 63mW, 1%	268361-1000	
R617	100 OHM, 0402, 63mW, 1%	268361-1000	
R618	1.00K, 0402, 63mW, 1%	268361-1001	
R619	10.0K, 0402, 63mW, 1%	268361-1002	
R620	10.0K, 0402, 63mW, 1%	268361-1002	
R622	100 OHM, 0402, 63mW, 1%	268361-1000	
R657	100 OHM, 0402, 63mW, 1%	268361-1000	
R661	3.32K, 0402, 63mW, 1%	268361-3321	
R662	3.32K, 0402, 63mW, 1%	268361-3321	
R665	10.0K, 0402, 63mW, 1%	268361-1002	
R667	10.0K, 0402, 63mW, 1%	268361-1002	
R668	100 OHM, 0402, 63mW, 1%	268361-1000	
R669	100 OHM, 0402, 63mW, 1%	268361-1000	
R674	100 OHM, 0402, 63mW, 1%	268361-1000	
R675	100 OHM, 0402, 63mW, 1%	268361-1000	
R676	100 OHM, 0402, 63mW, 1%	268361-1000	
R688	100 OHM, 0402, 63mW, 1%	268361-1000	
R700	10.0K, 0402, 63mW, 1%	268361-1002	
R701	10.0K, 0402, 63mW, 1%	268361-1002	
R702	10.0K, 0402, 63mW, 1%	268361-1002	
R800	10.0K, 0402, 63mW, 1%	268361-1002	
R801	10.0K, 0402, 63mW, 1%	268361-1002	
R802	10.0K, 0402, 63mW, 1%	268361-1002	
R1000	3.32K, 0402, 63mW, 1%	268361-3321	
R1001	3.32K, 0402, 63mW, 1%	268361-3321	
R1002	49.9 OHM, 0402, 63mW, 1%	268361-49R9	
R1003	56.2K, 0402, 63mW, 1%	268361-5622	
R1004	100 OHM, 0402, 63mW, 1%	268361-1000	
R1005	100 OHM, 0402, 63mW, 1%	268361-1000	
R1006	100 OHM, 0402, 63mW, 1%	268361-1000	
R1007	100 OHM, 0402, 63mW, 1%	268361-1000	
R1008	100 OHM, 0402, 63mW, 1%	268361-1000	
R1009	100 OHM, 0402, 63mW, 1%	268361-1000	
R1010	100 OHM, 0402, 63mW, 1%	268361-1000	
R1011	100 OHM, 0402, 63mW, 1%	268361-1000	
R1014	100 OHM, 0402, 63mW, 1%	268361-1000	
R1015	100 OHM, 0402, 63mW, 1%	268361-1000	
R1016	100 OHM, 0402, 63mW, 1%	268361-1000	
R1100	3.32K, 0402, 63mW, 1%	268361-3321	
R1101	3.32K, 0402, 63mW, 1%	268361-3321	
R1102	100K, 0402, 63mW, 1%	268361-1003	
R1103	100K, 0402, 63mW, 1%	268361-1003	
R1104	1.0M, 0402, 63mW, 1%	268361-1004	
R1105	1.0M, 0402, 63mW, 1%	268361-1004	
R1106	1.0M, 0402, 63mW, 1%	268361-1004	
R1107	100K, 0402, 63mW, 1%	268361-1003	

Resistors (continued)

Reference Designator	Description	Part Number	Note
R1108	100K, 0402, 63mW, 1%	268361-1003	
R1111	4.7 OHMS, 0402, 0.063W, 1%	268361-4R70	
R1112	1.00K, 0805, 1/10W, 5%	133626-1025	
R1113	499 OHM, 0805, .125W, 1%	133625-4990	
R1114	4.7 OHMS, 0402, 0.063W, 1%	268361-4R70	
R1115	4.7 OHMS, 0402, 0.063W, 1%	268361-4R70	
R1201	100 OHM, 0402, 63mW, 1%	268361-1000	
R1202	100 OHM, 0402, 63mW, 1%	268361-1000	
R1206	100 OHM, 0402, 63mW, 1%	268361-1000	
R1207	100 OHM, 0402, 63mW, 1%	268361-1000	
R1208	100 OHM, 0402, 63mW, 1%	268361-1000	
R1210	100 OHM, 0402, 63mW, 1%	268361-1000	
R1300	10.0K, 0402, 63mW, 1%	268361-1002	
R1301	0 OHM, JUMPER, 0402	280043	
R1303	100K, 0402, 63mW, 1%	268361-1003	
R1304	100K, 0402, 63mW, 1%	268361-1003	
R1306	215k, 0402, 0.063W, 1%	268361-2153	
R1307	100K, 0402, 63mW, 1%	268361-1003	
R1308	24.0K, 0402, 63mW, 1%	268361-2402	
R1309	10.0K, 0402, 63mW, 1%	268361-1002	
R1310	10.0 OHM, 0402, 63mW, 1%	268361-10R0	
R1313	100K, 0402, 63mW, 1%	268361-1003	
R1314	100K, 0402, 63mW, 1%	268361-1003	
R1315	348K, 0402, 63mW, 1%	268361-3483	
R1316	100K, 0402, 63mW, 1%	268361-1003	
R1317	1 OHM, 0402, 0.063W, 1%	268361-1R00	
R1318	8.25k, 0402, 0.063W, 1%	268361-8251	
R1500	1.50K, 0402, 63mW, 1%	268361-1501	
R1501	51 OHMS, 0402, 0.063W, 1%	268361-51R0	
R1502	51 OHMS, 0402, 0.063W, 1%	268361-51R0	
R1503	1.50K, 0402, 63mW, 1%	268361-1501	
R1504	49.9 OHM, 0805, .125W, 1%	133625-49R9	
R1505	51 OHMS, 0402, 0.063W, 1%	268361-51R0	
R1506	49.9 OHM, 0805, .125W, 1%	133625-49R9	
R1507	274 OHM, 0402, 63mW, 1%	268361-2740	
R1508	274 OHM, 0402, 63mW, 1%	268361-2740	
R1509	75 OHM, 0402, 63mW, 1%	268361-75R0	
R1510	75 OHM, 0402, 63mW, 1%	268361-75R0	
R1539	100 OHM, 0402, 63mW, 1%	268361-1000	
R1540	100 OHM, 0402, 63mW, 1%	268361-1000	
R1541	100 OHM, 0402, 63mW, 1%	268361-1000	
R1542	100 OHM, 0402, 63mW, 1%	268361-1000	
R1548	100 OHM, 0402, 63mW, 1%	268361-1000	
R1549	100 OHM, 0402, 63mW, 1%	268361-1000	
R1550	100 OHM, 0402, 63mW, 1%	268361-1000	
R1553	12.1K, 0402, 63mW, 1%	268361-1212	
R1555	100 OHM, 0402, 63mW, 1%	268361-1000	
R1556	4.75K, 0402, 0.063W, 1%	268361-4751	
R1557	4.75K, 0402, 0.063W, 1%	268361-4751	
R1558	49.9 OHM, 0805, .125W, 1%	133625-49R9	
R1559	49.9 OHM, 0805, .125W, 1%	133625-49R9	
R1561	4.75k, 0402, 0.063W, 1%	268361-4751	
R1562	4.75k, 0402, 0.063W, 1%	268361-4751	
R1564	4.75k, 0402, 0.063W, 1%	268361-4751	
R1566	4.75k, 0402, 0.063W, 1%	268361-4751	
R6100	100 OHM, 0402, 63mW, 1%	268361-1000	
R6102	100 OHM, 0402, 63mW, 1%	268361-1000	
R6103	100 OHM, 0402, 63mW, 1%	268361-1000	
R6111	249k, 0402, 0.063W, 1%	268361-2493	

Capacitors

Reference Designator	Description	Part Number	Note
C138	10pF, COG, 0402, 5%, 50V	268364-100	
C139	10pF, COG, 0402, 5%, 50V	268364-100	
C147	10uF, X5R, 0805, 10V, 10%	354809-106K	
C148	0.1uF, X5R, 0402, 16V, 10%	313771-104C	
C149	100pF, COG, 0402, 5%, 50V	268364-101	
C150	0.22uF, X5R, 0402, 10V, 10%	342199-224	
C151	470pF, COG, 0402, 5%, 50V	268364-471	
C152	10uF, X5R, 0805, 10V, 10%	354809-106K	
C153	10uF, X5R, 0805, 10V, 10%	354809-106K	
C154	10uF, X5R, 0805, 10V, 10%	354809-106K	
C155	10uF, X5R, 0805, 10V, 10%	354809-106K	
C156	0.1uF, X5R, 0402, 16V, 10%	313771-104C	
C157	100pF, COG, 0402, 5%, 50V	268364-101	

ELECTRICAL PART LIST

SoundTouch™ Common Module PCB Assembly

Capacitors (continued)

Capacitors (continued)

Reference Designator	Description	Part Number	Note
C160	6800pF, X7R, 0402, 16V, 10%	293702-682	
C161	6800pF, X7R, 0402, 16V, 10%	293702-682	
C162	6800pF, X7R, 0402, 16V, 10%	293702-682	
C164	470pF, COG, 0402, 5%, 50V	268364-471	
C165	0.22uF, X5R, 0402, 10V, 10%	342199-224	
C167	0.22uF, X5R, 0402, 10V, 10%	342199-224	
C168	10uF, X5R, 0805, 10V, 10%	354809-106K	
C169	100pF, COG, 0402, 5%, 50V	268364-101	
C171	100pF, COG, 0402, 5%, 50V	268364-101	
C172	0.22uF, X5R, 0402, 10V, 10%	342199-224	
C173	0.22uF, X5R, 0402, 10V, 10%	342199-224	
C174	6800pF, X7R, 0402, 16V, 10%	293702-682	
C175	6800pF, X7R, 0402, 16V, 10%	293702-682	
C177	6800pF, X7R, 0402, 16V, 10%	293702-682	
C178	6800pF, X7R, 0402, 16V, 10%	293702-682	
C181	6800pF, X7R, 0402, 16V, 10%	293702-682	
C182	6800pF, X7R, 0402, 16V, 10%	293702-682	
C183	6800pF, X7R, 0402, 16V, 10%	293702-682	
C184	6800pF, X7R, 0402, 16V, 10%	293702-682	
C185	6800pF, X7R, 0402, 16V, 10%	293702-682	
C186	6800pF, X7R, 0402, 16V, 10%	293702-682	
C187	3.3pF, COG, 0402, 50V, +/-0.25pF	317398-3R3CH	
C188	22pF, COG, 0402, 50V, 5%	268364-220	
C189	47pF, COG, 0402, 50V, 5%	268364-470	
C190	1.8pF, +/-0.1pF, COG, 0402, 50V	317398-1R8BH	
C191	10pF, COG, 0402, 5%, 50V	268364-100	
C192	1000pF, X7R, 0402, 16V, 10%	293702-102	
C193	1000pF, X7R, 0402, 16V, 10%	293702-102	
C194	47pF, COG, 0402, 50V, 5%	268364-470	
C195	18pF, COG, 0402, 5%, 50V	268364-180	
C196	15pF, COG, 0402, 5%, 50V	268364-150	
C197	15pF, COG, 0402, 5%, 50V	268364-150	
C198	0.01uF, X7R, 0402, 16V, 10%	293702-103	
C199	47pF, COG, 0402, 50V, 5%	268364-470	
C200	0.1uF, X7R, 0402, 16V, 10%	293702-104	
C201	0.01uF, X7R, 0402, 16V, 10%	293702-103	
C202	0.1uF, X7R, 0402, 16V, 10%	293702-104	
C203	0.1uF, X7R, 0402, 16V, 10%	293702-104	
C204	0.1uF, X7R, 0402, 16V, 10%	293702-104	
C205	0.1uF, X7R, 0402, 16V, 10%	293702-104	
C206	0.1uF, X7R, 0402, 16V, 10%	293702-104	
C207	0.1uF, X7R, 0402, 16V, 10%	293702-104	
C208	0.1uF, X7R, 0402, 16V, 10%	293702-104	
C209	0.1uF, X7R, 0402, 16V, 10%	293702-104	
C210	0.1uF, X7R, 0402, 16V, 10%	293702-104	
C211	0.01uF, X7R, 0402, 16V, 10%	293702-103	
C212	0.1uF, X7R, 0402, 16V, 10%	293702-104	
C213	0.01uF, X7R, 0402, 16V, 10%	293702-103	
C215	0.1uF, X7R, 0603, 16V, 10%	257154-104K16	
C220	0.1uF, X7R, 0402, 16V, 10%	293702-104	
C222	0.01uF, X7R, 0402, 16V, 10%	293702-103	
C223	0.01uF, X7R, 0402, 16V, 10%	293702-103	
C224	0.01uF, X7R, 0402, 16V, 10%	293702-103	
C225	0.01uF, X7R, 0402, 16V, 10%	293702-103	
C226	0.1uF, X7R, 0402, 16V, 10%	293702-104	
C227	0.01uF, X7R, 0402, 16V, 10%	293702-103	
C233	0.22uF, X5R, 0402, 10V, 10%	342199-224	
C300	10uF, X5R, 0603, 6.3V, 20%	313766-106J	
C301	0.1uF, X7R, 0603, 16V, 10%	257154-104K16	
C302	10uF, X5R, 0603, 6.3V, 20%	313766-106J	
C303	10uF, X5R, 0603, 6.3V, 20%	313766-106J	
C304	0.1uF, X7R, 0603, 10%, 50V	191470-104	
C305	0.1uF, X7R, 0603, 10%, 50V	191470-104	
C307	470pF, X7R, 0402, 50V, 5%	268366-471	
C308	10uF, X5R, 0603, 6.3V, 20%	313766-106J	
C309	470pF, X7R, 0402, 50V, 5%	268366-471	
C310	0.1uF, X7R, 0402, 16V, 10%	293702-104	
C311	1uF, X7R, 0603, 16V, 10%	257154-105K16	
C312	470pF, X7R, 0402, 50V, 5%	268366-471	
C314	1500pF, X7R, 0402, 16V, 10%	293702-152	
C315	0.1uF, X7R, 0402, 16V, 10%	293702-104	

Reference Designator	Description	Part Number	Note
C317	0.1uF, X7R, 0402, 16V, 10%	293702-104	
C318	1500pF, X7R, 0402, 16V, 10%	293702-152	
C319	22uF, X5R, 0805, 6.3V, 20%	273592-226JM	
C320	0.1uF, X7R, 0402, 16V, 10%	293702-104	
C321	22uF, X5R, 0805, 6.3V, 20%	273592-226JM	
C323	1500pF, X7R, 0402, 16V, 10%	293702-152	
C324	0.1uF, X7R, 0402, 16V, 10%	293702-104	
C326	1500pF, X7R, 0402, 16V, 10%	293702-152	
C328	1500pF, X7R, 0402, 16V, 10%	293702-152	
C330	1500pF, X7R, 0402, 16V, 10%	293702-152	
C332	1500pF, X7R, 0402, 16V, 10%	293702-152	
C334	1500pF, X7R, 0402, 16V, 10%	293702-152	
C335	0.1uF, X7R, 0402, 16V, 10%	293702-104	
C338	1500pF, X7R, 0402, 16V, 10%	293702-152	
C340	0.1uF, X7R, 0402, 16V, 10%	293702-104	
C341	0.1uF, X7R, 0402, 16V, 10%	293702-104	
C342	1500pF, X7R, 0402, 16V, 10%	293702-152	
C343	0.1uF, X7R, 0402, 16V, 10%	293702-104	
C344	1500pF, X7R, 0402, 16V, 10%	293702-152	
C346	0.1uF, X7R, 0402, 16V, 10%	293702-104	
C347	0.1uF, X7R, 0402, 16V, 10%	293702-104	
C348	1500pF, X7R, 0402, 16V, 10%	293702-152	
C349	1500pF, X7R, 0402, 16V, 10%	293702-152	
C352	0.1uF, X7R, 0402, 16V, 10%	293702-104	
C353	0.1uF, X7R, 0402, 16V, 10%	293702-104	
C354	1500pF, X7R, 0402, 16V, 10%	293702-152	
C355	1500pF, X7R, 0402, 16V, 10%	293702-152	
C357	0.1uF, X7R, 0402, 16V, 10%	293702-104	
C358	0.1uF, X7R, 0402, 16V, 10%	293702-104	
C359	1500pF, X7R, 0402, 16V, 10%	293702-152	
C361	1500pF, X7R, 0402, 16V, 10%	293702-152	
C363	1500pF, X7R, 0402, 16V, 10%	293702-152	
C364	1500pF, X7R, 0402, 16V, 10%	293702-152	
C367	1500pF, X7R, 0402, 16V, 10%	293702-152	
C368	1500pF, X7R, 0402, 16V, 10%	293702-152	
C370	1500pF, X7R, 0402, 16V, 10%	293702-152	
C371	1500pF, X7R, 0402, 16V, 10%	293702-152	
C373	0.1uF, X7R, 0402, 16V, 10%	293702-104	
C374	0.1uF, X7R, 0402, 16V, 10%	293702-104	
C376	470pF, X7R, 0402, 50V, 5%	268366-471	
C377	10uF, X5R, 0603, 6.3V, 20%	313766-106J	
C378	470pF, X7R, 0402, 50V, 5%	268366-471	
C379	10uF, X5R, 0603, 6.3V, 20%	313766-106J	
C380	0.1uF, X7R, 0603, 16V, 10%	257154-104K16	
C381	10uF, X5R, 0603, 6.3V, 20%	313766-106J	
C382	0.1uF, X7R, 0603, 16V, 10%	257154-104K16	
C383	22uF, X5R, 0805, 6.3V, 20%	273592-226JM	
C384	22uF, X5R, 0805, 6.3V, 20%	273592-226JM	
C385	10uF, X5R, 0603, 6.3V, 20%	313766-106J	
C386	0.1uF, X7R, 0603, 16V, 10%	257154-104K16	
C400	0.1uF, X7R, 0402, 16V, 10%	293702-104	
C401	0.01uF, X7R, 0402, 16V, 10%	293702-103	
C402	0.1uF, X7R, 0402, 16V, 10%	293702-104	
C403	0.01uF, X7R, 0402, 16V, 10%	293702-103	
C404	0.1uF, X7R, 0402, 16V, 10%	293702-104	
C405	0.01uF, X7R, 0402, 16V, 10%	293702-103	
C406	0.1uF, X7R, 0402, 16V, 10%	293702-104	
C407	0.01uF, X7R, 0402, 16V, 10%	293702-103	
C408	0.1uF, X7R, 0402, 16V, 10%	293702-104	
C409	0.01uF, X7R, 0402, 16V, 10%	293702-103	
C410	0.1uF, X7R, 0402, 16V, 10%	293702-104	
C411	0.01uF, X7R, 0402, 16V, 10%	293702-103	
C412	0.1uF, X7R, 0402, 16V, 10%	293702-104	
C413	0.01uF, X7R, 0402, 16V, 10%	293702-103	
C414	0.1uF, X7R, 0402, 16V, 10%	293702-104	
C415	0.01uF, X7R, 0402, 16V, 10%	293702-103	
C416	0.1uF, X7R, 0402, 16V, 10%	293702-104	
C417	0.01uF, X7R, 0402, 16V, 10%	293702-103	
C418	0.01uF, X7R, 0402, 16V, 10%	293702-103	
C419	0.01uF, X7R, 0402, 16V, 10%	293702-103	
C420	0.01uF, X7R, 0402, 16V, 10%	293702-103	
C421	0.01uF, X7R, 0402, 16V, 10%	293702-103	
C422	0.1uF, X7R, 0402, 16V, 10%	293702-104	

ELECTRICAL PART LIST

SoundTouch™ Common Module PCB Assembly

Capacitors (continued)

Capacitors

Reference Designator	Description	Part Number	Note
C423	0.1uF, X7R, 0402, 16V, 10%	293702-104	
C424	0.1uF, X7R, 0402, 16V, 10%	293702-104	
C425	0.1uF, X7R, 0402, 16V, 10%	293702-104	
C426	0.1uF, X7R, 0402, 16V, 10%	293702-104	
C427	0.1uF, X7R, 0402, 16V, 10%	293702-104	
C428	0.1uF, X7R, 0402, 16V, 10%	293702-104	
C429	0.1uF, X7R, 0402, 16V, 10%	293702-104	
C430	0.1uF, X7R, 0402, 16V, 10%	293702-104	
C431	0.1uF, X7R, 0402, 16V, 10%	293702-104	
C432	22uF, X5R, 0805, 6.3V, 20%	273592-226JM	
C433	22uF, X5R, 0805, 6.3V, 20%	273592-226JM	
C434	0.1uF, X7R, 0402, 16V, 10%	293702-104	
C435	0.1uF, X7R, 0402, 16V, 10%	293702-104	
C500	0.1uF, X7R, 0603, 10%, .50V	191470-104	
C501	100pF, COG, 0402, 5%, 50V	268364-101	
C502	100pF, COG, 0402, 5%, 50V	268364-101	
C503	100pF, COG, 0402, 5%, 50V	268364-101	
C504	0.1uF, X5R, 0402, 16V, 10%	313771-104C	
C505	100pF, COG, 0402, 5%, 50V	268364-101	
C506	0.1uF, X5R, 0402, 16V, 10%	313771-104C	
C507	15nF, X7R, 0402, 16V, 5%	296732-153	
C508	15nF, X7R, 0402, 16V, 5%	296732-153	
C509	100pF, COG, 0402, 5%, 50V	268364-101	
C510	10uF, X5R, 0603, 6.3V, 20%	313766-106J	
C511	100pF, COG, 0402, 5%, 50V	268364-101	
C512	100pF, COG, 0402, 5%, 50V	268364-101	
C513	100pF, COG, 0402, 5%, 50V	268364-101	
C514	100pF, COG, 0402, 5%, 50V	268364-101	
C515	1000pF, COG, 0402, 5%, 50V	268364-102	
C516	100pF, COG, 0402, 5%, 50V	268364-101	
C517	100pF, COG, 0402, 5%, 50V	268364-101	
C518	0.1uF, X5R, 0402, 16V, 10%	313771-104C	
C519	0.1uF, X5R, 0402, 16V, 10%	313771-104C	
C521	1000pF, COG, 0402, 5%, 50V	268364-102	
C600	100pF, COG, 0402, 5%, 50V	268364-101	
C601	10uF, X5R, 0603, 6.3V, 20%	313766-106J	
C602	100pF, COG, 0402, 5%, 50V	268364-101	
C603	100pF, COG, 0402, 5%, 50V	268364-101	
C604	100pF, COG, 0402, 5%, 50V	268364-101	
C607	100pF, COG, 0402, 5%, 50V	268364-101	
C700	0.1uF, X7R, 0402, 16V, 10%	293702-104	
C701	0.1uF, X7R, 0402, 16V, 10%	293702-104	
C702	10nF, X7R, 0402, 25V, 5%	268367-103	
C703	10nF, X7R, 0402, 25V, 5%	268367-103	
C704	10nF, X7R, 0402, 25V, 5%	268367-103	
C705	10nF, X7R, 0402, 25V, 5%	268367-103	
C706	100pF, COG, 0402, 5%, 50V	268364-101	
C707	100pF, COG, 0402, 5%, 50V	268364-101	
C708	0.1uF, X7R, 0402, 16V, 10%	293702-104	
C709	0.1uF, X7R, 0402, 16V, 10%	293702-104	
C710	0.1uF, X7R, 0402, 16V, 10%	293702-104	
C711	0.1uF, X7R, 0402, 16V, 10%	293702-104	
C712	0.1uF, X7R, 0402, 16V, 10%	293702-104	
C713	0.1uF, X7R, 0402, 16V, 10%	293702-104	
C714	0.1uF, X7R, 0402, 16V, 10%	293702-104	
C715	0.1uF, X7R, 0402, 16V, 10%	293702-104	
C716	0.1uF, X7R, 0402, 16V, 10%	293702-104	
C717	1000pF, COG, 0402, 5%, 50V	268364-102	
C718	0.1uF, X7R, 0402, 16V, 10%	293702-104	
C719	10uF, X5R, 0603, 6.3V, 20%	313766-106J	
C720	10uF, X5R, 0603, 6.3V, 20%	313766-106J	
C721	10uF, X5R, 0603, 6.3V, 20%	313766-106J	
C746	0.01uF, X7R, 0402, 16V, 10%	293702-103	
C748	10nF, X7R, 0402, 25V, 5%	268367-103	
C749	10nF, X7R, 0402, 25V, 5%	268367-103	
C750	10nF, X7R, 0402, 25V, 5%	268367-103	
C751	10nF, X7R, 0402, 25V, 5%	268367-103	
C752	0.01uF, X7R, 0402, 16V, 10%	293702-103	
C768	10nF, X7R, 0402, 25V, 5%	268367-103	
C769	10nF, X7R, 0402, 25V, 5%	268367-103	
C771	10nF, X7R, 0402, 25V, 5%	268367-103	
C772	0.01uF, X7R, 0402, 16V, 10%	293702-103	
C773	10nF, X7R, 0402, 25V, 5%	268367-103	
C774	10nF, X7R, 0402, 25V, 5%	268367-103	
C775	10nF, X7R, 0402, 25V, 5%	268367-103	
C776	10nF, X7R, 0402, 25V, 5%	268367-103	

Reference Designator	Description	Part Number	Note
C777	10nF, X7R, 0402, 25V, 5%	268367-103	
C778	0.01uF, X7R, 0402, 16V, 10%	293702-103	
C779	10nF, X7R, 0402, 25V, 5%	268367-103	
C780	10nF, X7R, 0402, 25V, 5%	268367-103	
C781	10nF, X7R, 0402, 25V, 5%	268367-103	
C782	10nF, X7R, 0402, 25V, 5%	268367-103	
C783	0.01uF, X7R, 0402, 16V, 10%	293702-103	
C784	10nF, X7R, 0402, 25V, 5%	268367-103	
C785	10nF, X7R, 0402, 25V, 5%	268367-103	
C786	10nF, X7R, 0402, 25V, 5%	268367-103	
C787	0.01uF, X7R, 0402, 16V, 10%	293702-103	
C788	10nF, X7R, 0402, 25V, 5%	268367-103	
C789	10nF, X7R, 0402, 25V, 5%	268367-103	
C790	10nF, X7R, 0402, 25V, 5%	268367-103	
C791	10nF, X7R, 0402, 25V, 5%	268367-103	
C792	10nF, X7R, 0402, 25V, 5%	268367-103	
C793	10nF, X7R, 0402, 25V, 5%	268367-103	
C794	10nF, X7R, 0402, 25V, 5%	268367-103	
C795	10nF, X7R, 0402, 25V, 5%	268367-103	
C796	10nF, X7R, 0402, 25V, 5%	268367-103	
C797	10nF, X7R, 0402, 25V, 5%	268367-103	
C798	10nF, X7R, 0402, 25V, 5%	268367-103	
C799	10nF, X7R, 0402, 25V, 5%	268367-103	
C900	0.01uF, X7R, 0402, 16V, 10%	293702-103	
C901	0.01uF, X7R, 0402, 16V, 10%	293702-103	
C902	0.01uF, X7R, 0402, 16V, 10%	293702-103	
C1003	10uF, X5R, 0603, 6.3V, 20%	313766-106J	
C1006	3.3uF, X5R, 0603, 20%, 6.3V	313766-335J	
C1007	3.3uF, X5R, 0603, 20%, 6.3V	313766-335J	
C1009	10uF, X5R, 0603, 6.3V, 20%	313766-106J	
C1011	12pF, COG, 0402, 5%, 50V	268364-120	
C1012	15pF, COG, 0402, 5%, 50V	268364-150	
C1013	10uF, X5R, 0603, 6.3V, 20%	313766-106J	
C1014	220pF, COG, 0402, 5%, 50V	268364-221	
C1015	10uF, X5R, 0603, 6.3V, 20%	313766-106J	
C1016	0.1uF, X7R, 0402, 16V, 10%	293702-104	
C1017	1000pF, X7R, 0402, 16V, 10%	293702-102	
C1018	1000pF, X7R, 0402, 16V, 10%	293702-102	
C1019	1000pF, X7R, 0402, 16V, 10%	293702-102	
C1020	1000pF, X7R, 0402, 16V, 10%	293702-102	
C1021	0.1uF, X7R, 0402, 16V, 10%	293702-104	
C1022	220pF, COG, 0402, 5%, 50V	268364-221	
C1023	220pF, COG, 0402, 5%, 50V	268364-221	
C1024	0.1uF, X7R, 0402, 16V, 10%	293702-104	
C1025	47pF, COG, 0402, 50V, 5%	268364-470	
C1026	1uF, X5R, 0402, 10%, 10V	313771-105A	
C1027	47pF, COG, 0402, 50V, 5%	268364-470	
C1028	1000pF, COG, 0402, 5%, 50V	268364-102	
C1029	100pF, COG, 0402, 5%, 50V	268364-101	
C1030	100pF, COG, 0402, 5%, 50V	268364-101	
C1031	100pF, COG, 0402, 5%, 50V	268364-101	
C1032	100pF, COG, 0402, 5%, 50V	268364-101	
C1100	3.3uF, X5R, 0603, 20%, 6.3V	313766-335J	
C1101	470pF, X7R, 0402, 50V, 5%	268366-471	
C1102	470pF, X7R, 0402, 50V, 5%	268366-471	
C1103	22pF, COG, 0402, 50V, 5%	268364-220	
C1104	150pF, X7R, 0402, 16V, 10%	293702-151	
C1105	0.1uF, X7R, 0603, 10%, .50V	191470-104	
C1107	150pF, X7R, 0402, 16V, 10%	293702-151	
C1108	150pF, X7R, 0402, 16V, 10%	293702-151	
C1109	10uF, X5R, 0603, 6.3V, 20%	313766-106J	
C1110	150pF, X7R, 0402, 16V, 10%	293702-151	
C1111	150pF, X7R, 0402, 16V, 10%	293702-151	
C1112	0.1uF, X7R, 0603, 10%, .50V	191470-104	
C1113	150pF, X7R, 0402, 16V, 10%	293702-151	
C1114	10uF, X5R, 0603, 6.3V, 20%	313766-106J	
C1115	1000pF, COG, 0402, 5%, 50V	268364-102	
C1116	1000pF, COG, 0402, 5%, 50V	268364-102	
C1117	3.3uF, X5R, 0603, 20%, 6.3V	313766-335J	
C1200	100pF, COG, 0402, 5%, 50V	268364-101	
C1201	1000pF, COG, 0402, 5%, 50V	268364-102	
C1202	100pF, COG, 0402, 5%, 50V	268364-101	
C1203	100pF, COG, 0402, 5%, 50V	268364-101	
C1204	100pF, COG, 0402, 5%, 50V	268364-101	
C1205	100pF, COG, 0402, 5%, 50V	268364-101	
C1206	100pF, COG, 0402, 5%, 50V	268364-101	

ELECTRICAL PART LIST

SoundTouch™ Common Module PCB Assembly

Capacitors (continued)

Reference Designator	Description	Part Number	Note
C1230	100pF, COG, 0402, 5%, 50V	268364-101	
C1231	100pF, COG, 0402, 5%, 50V	268364-101	
C1232	100pF, COG, 0402, 5%, 50V	268364-101	
C1233	100pF, COG, 0402, 5%, 50V	268364-101	
C1234	100pF, COG, 0402, 5%, 50V	268364-101	
C1235	100pF, COG, 0402, 5%, 50V	268364-101	
C1236	1000pF, COG, 0402, 5%, 50V	268364-102	
C1237	1000pF, COG, 0402, 5%, 50V	268364-102	
C1300	100nF, X7R, 0402, 16V, 5%	296732-104	
C1301	10uF, X5R, 0603, 6.3V, 20%	313766-106J	
C1302	4.7uF, X5R, 0402, 20%, 4V	313771-475GM	
C1303	10uF, X5R, 0603, 6.3V, 20%	313766-106J	
C1304	4.7uF, X5R, 0402, 20%, 4V	313771-475GM	
C1305	10uF, X5R, 0603, 6.3V, 20%	313766-106J	
C1306	4.7uF, X5R, 0402, 20%, 4V	313771-475GM	
C1307	10uF, X5R, 0603, 6.3V, 20%	313766-106J	
C1308	4.7uF, X5R, 0402, 20%, 4V	313771-475GM	
C1309	10uF, X5R, 0603, 6.3V, 20%	313766-106J	
C1310	4.7uF, X5R, 0402, 20%, 4V	313771-475GM	
C1311	10uF, X5R, 0603, 6.3V, 20%	313766-106J	
C1312	4.7uF, X5R, 0402, 20%, 4V	313771-475GM	
C1313	2.2uF, X5R, 0402, 6.3V, 20%	329485-225M	
C1314	2.2uF, X5R, 0402, 6.3V, 20%	329485-225M	
C1315	2.2uF, X5R, 0402, 6.3V, 20%	329485-225M	
C1316	2.2uF, X5R, 0402, 6.3V, 20%	329485-225M	
C1317	2.2uF, X5R, 0402, 6.3V, 20%	329485-225M	
C1318	4.7uF, CER, 1210, X7R, 25V	291431-475	
C1319	0.1uF, X7R, 0603, 10%, 50V	304991-104	
C1320	10uF, X5R, 0603, 6.3V, 20%	313766-106J	
C1321	2.2uF, X5R, 0402, 6.3V, 20%	329485-225M	
C1322	10uF, X5R, 0603, 6.3V, 20%	313766-106J	
C1323	2.2uF, X5R, 0402, 6.3V, 20%	329485-225M	
C1324	10uF, X5R, 0603, 6.3V, 20%	313766-106J	
C1325	10uF, X5R, 0603, 6.3V, 20%	313766-106J	
C1326	2.2uF, X5R, 0402, 6.3V, 20%	329485-225M	
C1328	10uF, X5R, 0603, 6.3V, 20%	313766-106J	
C1329	10uF, X5R, 0603, 6.3V, 20%	313766-106J	
C1330	10uF, X5R, 0603, 6.3V, 20%	313766-106J	
C1331	100nF, X7R, 0402, 16V, 5%	296732-104	
C1332	100nF, X7R, 0402, 16V, 5%	296732-104	
C1333	1uF, X5R, 0402, 10%, 10V	313771-105A	
C1335	1000pF, X7R, 0402, 16V, 10%	293702-102	
C1336	1000pF, X7R, 0402, 16V, 10%	293702-102	
C1337	1000pF, X7R, 0402, 16V, 10%	293702-102	
C1338	1000pF, X7R, 0402, 16V, 10%	293702-102	
C1339	1000pF, X7R, 0402, 16V, 10%	293702-102	
C1340	1000pF, X7R, 0402, 16V, 10%	293702-102	
C1500	1000pF, COG, 0402, 5%, 50V	268364-102	
C1501	1000pF, COG, 0402, 5%, 50V	268364-102	
C1502	100pF, COG, 0402, 5%, 50V	268364-101	
C1503	1000pF, COG, 0402, 5%, 50V	268364-102	
C1508	0.1uF, X7R, 0603, 10%, 50V	191470-104	
C1509	0.1uF, X7R, 0603, 10%, 50V	191470-104	
C1510	470pF, X7R, 0402, 50V, 5%	268366-471	
C1511	4.7uF, X5R, 0603, 10V, 20%	313766-475A	
C1512	1uF, 0805, X7R, 10%, 25V	181264-105	
C1513	0.1uF, X7R, 0603, 10%, 50V	191470-104	
C1514	0.1uF, X7R, 0603, 10%, 50V	191470-104	
C1515	10uF, 1206, X7R, 10V, 10%	260361-1062	
C1516	0.1uF, X7R, 0603, 10%, 50V	191470-104	
C1517	1.0nF, 0603, COG, SMD, 25V, 5%	268368-102	
C1518	1.0nF, 0603, COG, SMD, 25V, 5%	268368-102	
C1519	1000pF, X7R, 1206, 2000V, 20%	359294-102M	
C7100	10nF, X7R, 0402, 25V, 5%	268367-103	
C7101	10nF, X7R, 0402, 25V, 5%	268367-103	
C7102	10nF, X7R, 0402, 25V, 5%	268367-103	
C7103	10nF, X7R, 0402, 25V, 5%	268367-103	
C7104	10nF, X7R, 0402, 25V, 5%	268367-103	
C7105	10nF, X7R, 0402, 25V, 5%	268367-103	
C7106	10nF, X7R, 0402, 25V, 5%	268367-103	

Capacitors (continued)

Reference Designator	Description	Part Number	Note
C7107	10nF, X7R, 0402, 25V, 5%	268367-103	
C7108	10nF, X7R, 0402, 25V, 5%	268367-103	
C7109	10nF, X7R, 0402, 25V, 5%	268367-103	
C7110	10nF, X7R, 0402, 25V, 5%	268367-103	
C7111	10nF, X7R, 0402, 25V, 5%	268367-103	
C7112	10nF, X7R, 0402, 25V, 5%	268367-103	
C7113	10nF, X7R, 0402, 25V, 5%	268367-103	

Inductors

Reference Designator	Description	Part Number	Note
FB300	BEAD, FERRITE, 0805, 1.5A, 330OHM	267539-331	
FB301	120 OHM, FERRITE BEAD, CHIP, 0603	259925-121	
FB302	FERRITE BEAD, CHIP, 0603, 120 OHM	259925-121	
FB303	120 OHM, FERRITE BEAD, CHIP, 0603	259925-121	
FB304	120 OHM, FERRITE BEAD, CHIP, 0603	259925-121	
FB305	120 OHM, FERRITE BEAD, CHIP, 0603	259925-121	
FB306	FERRITE BEAD, CHIP, 0603, 120 OHM	259925-121	
FB307	BEAD, FERRITE, 0805, 1.5A, 330OHM	267539-331	
FB900	120 OHM, BEAD, FERRITE, 0402, 0.3A	324216-121B	
FB1100	120 OHM, BEAD, FERRITE, 0402, 0.3A	324216-121B	
FB1101	120 OHM, BEAD, FERRITE, 0402, 0.3A	324216-121B	
FB1102	BEAD, FERRITE, 0402, 120 OHM, 0.3A	324216-121B	
FB1103	BEAD, FERRITE, 0402, 120 OHM, 0.3A	324216-121B	
FB1104	120 OHM, BEAD, FERRITE, 0402, 0.3A	324216-121B	
FB1106	BEAD, FERRITE, 0402, 120 OHM, 0.3A	324216-121B	
FB1107	BEAD, FERRITE, 0402, 120 OHM, 0.3A	324216-121B	
FB1202	120 OHM, FERRITE BEAD, CHIP, 0603	259925-121	
FB1203	FERRITE BEAD, CHIP, 0603, 120 OHM	259925-121	
FB1300	120 OHM, FERRITE BEAD, 1206	326348-121	
FB1502	FERRITE BEAD, CHIP, 0603, 120 OHM	259925-121	
FB1503	BEAD, FERRITE, 0805, 1.5A, 330OHM	267539-331	
L18	120 OHMS, FERRITE, BEAD, 0603, BLM18P	302257-121	
L22	HI FREQ, 0402, 125C, 4.7nH	354810-4R7S	
L24	HI FREQ, 0402, 125C, 1.8nH	354810-1R8S	
L38	0 OHM, JUMPER, 0402	280043	
L1200	0504, 90 OHMS, 150mA, C- MODE	324381-090D	
L1300	POWER, 2520, 125C, 20%, 4.7uH	348739-4R7M	
L1301	POWER, 2520, 125C, 20%, 2.2uH	348739-2R2M	
L1302	POWER, 2520, 125C, 20%, 2.2uH	348739-2R2M	
L1303	POWER, 2520, 125C, 20%, 2.2uH	348739-2R2M	
L1304	POWER, 2520, 125C, 20%, 2.2uH	348739-2R2M	
L1305	POWER, 2520, 125C, 20%, 2.2uH	348739-2R2M	
L1306	POWER, 2520, 125C, 20%, 2.2uH	348739-2R2M	

ELECTRICAL PART LIST

SoundTouch™ Common Module PCB Assembly

Diodes

Reference Designator	Description	Part Number	Note
D500	SOT-23, BAV 99	147239	
D501	SOT-23, BAV 99	147239	
D502	SOT-23, BAV 99	147239	
D601	SOT-23, BAV 99	147239	
D1000	SOT-23, BAV 99	147239	
D1001	SOT-23, BAV 99	147239	
D1101	SWITCHING, 100V, BAV99, SOT363	319113-001	
D1200	SOT-23, BAV 99	147239	
D1201	SOT-23, BAV 99	147239	
D1300	SCHTKY, SC70, 30V, SINGLE	268381-001	
D1301	SCHOTTKY, DUAL, SERIES, 20V, SOT-23	342827-0010	
D1302	SCHTKY, SC70, 30V, SINGLE	268381-001	
DS601	DUAL, LED, RED, GRN, CM_ANOD	316292-001	
VR1100	DIODE, TVS, ESD, 24VDC, 0603	352782-0010	
VR1101	DIODE, TVS, ESD, 24VDC, 0603	352782-0010	
VR1102	DIODE, TVS, ESD, 24VDC, 0603	352782-0010	

Transistors

Reference Designator	Description	Part Number	Note
Q1300	MOSFET, N-CHAN, 2N7002, SOT523	309607-001	
Q500	BPLR, N, 40V, 200mA, SOT23	146819	
Q501	MOSFET, P-CH, 3.8A, 30V, SOT-23	348008-0010	
Q600	BPLR, P, 40V, 200mA, SOT23	148596	
Q601	N, MFET, 2.5V, SOT-23	252043	
Q602	BPLR, P, 40V, 200mA, SOT23	148596	

Integrated Circuits

Reference Designator	Description	Part Number	Note
U5	POWER AMP, 2.4GHz, SST12LP15A, 16VQFN	353372-0010	
U7	RF TRANSCEIVER, 2.4GHz, T6201C, QFN48	353400-0010	
U8	FILTER, BALUN, 2.4GHz, HHM1711D1, 0603-6	353392-0010	
U22	FILTER, BANDPASS, 0603-4, 2.4GHz	353361-0010	
U23	FILTER, BANDPASS, 0603-4, 2.4GHz	353361-0010	
U28	ANALOG SW, 6GHz, DPDT, HWS410, 12QFN	353365-0010	
U301	CODEC, AUDIO, W/DSP, 32b, 192kHz, 40WQFN	353341-0010	
U401	MEM, SDRAM, DDR3, 64Mbx16, 1.25nS, 96FBGA	353178-0010	
U401A	PAD, THERMAL, CONDUCTIVE	371259-0010	
U402	MEM, FLASH, NAND, 1.8V, 2GbX8, 63VFBGA	344693-0020	
U100	IC, SoC, MEDIA PROC, DM870A, 320LFBGA	354024-0010	
U100A	PAD, THERMAL, CONDUCTIVE	371259-0010	
U200	MEM, FLASH, NOR, 3.6V, 70nS, 64Mb, 64LFBGA	353839-0010	
U203	MEM, SDRAM, 3.3V, 167MHz, 128Mb, VFBGA54	353272-0082	
U203A	PAD, THERMAL, CONDUCTIVE	371259-0010	
U1101	DAC, 192kHz, 24Bit, 2ch, AK4384	299344-001	
U1105	STEREO ADC, 24-Bit, 192kHz	307160-001	
U1200	INVERTER, DUAL, 50MA, 5V	280293-001	
U1300	PWR MNGMT, Li-ION, TPS650250, 32QFN	347568-0010	
U1302	VOLT REG, SW, ADJ, DC-DC, TPS65910, 48QFN	354002-0010	
U1500	ETHERNET, PHYSICAL, LAN, TxRx, 24-QFN	353306-0010	
U500	SOC, ARM A8, 105C, 1.1V, 600MHZ, 324PBGA	369713-0040	

Integrated Circuits (continued)

Reference Designator	Description	Part Number	Note
U500A	PAD, THERMAL, CONDUCTIVE	371259-0010	
U501	AUTHC, COPROCESSOR, APPLE, 2.0C	351292-0010	
U502	BUFFER, NON-INV, SINGLE, 74VHC1G125, SC70	347398-0010	
U503	V LEVEL, TRANSLATOR, CONFIG., SOT-23	326120-0010	

Miscellaneous

Reference Designator	Description	Part Number	Note
J900	CONN., RF, COAXIAL, WITH SWITCH	316679-001	
J1200	CONN, FFC, 0.5mm, S ENTRY, 10POS, IVRY	349234-0010	
J1201	CONN, FFC, 0.5mm, S ENTRY, 31POS, W/SHIELD	310623-031	
J1202	CONN, FFC, 0.5mm, SMT, S ENTRY, 12 POS, IVRY	349234-0012	
J1203	CONN, FFC, 0.5mm, S ENTRY, 40 POS	310573-040	
CON3	CONN., RF, COAXIAL, WITH SWITCH	316679-001	
CON4	CONN., RF, COAXIAL, WITH SWITCH	316679-001	
SHLD1	SHIELD, SHELBY, RF MODULE, TOP FRAME	353966-0010	
SHLD1-TOP	SHIELD, SHELBY, RF MODULE, TOP COVER	353965-0010	
SHLD2-BOT	SHIELD, SHELBY, RF MODULE, BOTTOM COVER	353967-0010	
SHLD300	SHIELD, FENCE, SHELBY, DSP	355254-0010	
SHLD300-TOP	SHIELD, COVER, SHELBY, DSP	355249-0010	
SHLD301-BOT	SHIELD, COVER, SHELBY, DSP	355249-0010	
SHLD400	SHIELD, FENCE, SHELBY, BT, TOP	355262-0010	
SHLD400-TOP	SHIELD, COVER, SHELBY, BT, TOP	355261-0010	
SHLD401-BOT	SHIELD, COVER, SHELBY, BT, BOTTOM	355257-0010	
W1	47pF, COG, 0402, 50V, 5%	268364-470	
W1000	0 OHM, JUMPER, 0402	280043	
W1001	0 OHM, JUMPER, 0402	280043	
W1003	0 OHM, JUMPER, 0402	280043	
W1004	0 OHM, JUMPER, 0402	280043	
W1103	0 OHM, JUMPER, 0402	280043	
W1104	0 OHM, JUMPER, 0402	280043	
W1105	0 OHM, JUMPER, 0402	280043	
W1300	0 OHM, JUMPER, 0402	280043	
W1301	0 OHM, JUMPER, 0402	280043	
W1302	0 OHM, JUMPER, 0402	280043	
W1303	0 OHM, JUMPER, 0402	280043	
W1304	0 OHM, JUMPER, 0402	280043	
W1305	0 OHM, JUMPER, 0402	280043	
W1306	0 OHM, JUMPER, 0402	280043	
W1307	0 OHM, JUMPER, 0402	280043	
W1308	0 OHM, JUMPER, 0402	280043	
W1309	0 OHM, JUMPER, 0402	280043	
W1310	0 OHM, JUMPER, 0402	280043	
W1312	0 OHM, JUMPER, 0402	280043	
W1313	0 OHM, JUMPER, 0402	280043	
W1315	0 OHM, JUMPER, 0402	280043	
W1316	JUMPER, CHIP, 0603	196042	
W1317	JUMPER, CHIP, 0603	196042	
W1319	0 OHM, JUMPER, 0402	280043	
W1320	0 OHM, JUMPER, 0402	280043	
W1321	0 OHM, JUMPER, 0402	280043	
W1322	0 OHM, JUMPER, 0402	280043	
W1500	0 OHM, JUMPER, 0402	280043	
W2	47pF, COG, 0402, 50V, 5%	268364-470	
W503	0 OHM, JUMPER, 0402	280043	

ELECTRICAL PART LIST

SoundTouch™ Common Module PCB Assembly

Miscellaneous

Reference Designator	Description	Part Number	Note
W700	0 OHM, JUMPER, 0402	280043	
W900	0 OHM, JUMPER, 0402	280043	
W901	0 OHM, JUMPER, 0402	280043	
X1000	CRYSTAL, FUND, 12pF, +/-12PPM, 32MHz	291429-026	
X500	CRYSTAL, FUND, 12pF, +/-50PPM, 24MHz	291429-027	
XFMR1500	TRANSFORMER, CHOKE, 10/100BASE-T, SMT	356073-0010	
Y3	CRYSTAL, SMT, +/-10PPM, 50MHz	353398-0010	


ELECTRICAL PART LIST

Power PCB Assembly

Resistors

Reference Designator	Description	Part Number	Note
R200	1K, 0603, .1W, 1%	191465-1001	
R201	1K, 0603, .1W, 1%	191465-1001	
R202	46.4K, 0603, .1W, 1%	191465-4642	
R203	2.2K, 0603, .1W, 5%	199403-222	
R207	10 OHM, 0805, .125W, 1%	133625-10R0	
R208	10 OHM, 0805, .125W, 1%	133625-10R0	
R210	220K, 0603, .1W, 5%	199403-224	
R211	33 OHMS, 0603, .1W, 5%	199403-330	
R212	10 OHM, 0805, .125W, 1%	133625-10R0	
R213	49.9K, 0603, .1W, 1%	191465-4992	
R214	0 OHM, JUMPER, 0402	280043	
R300	100 OHM, 0603, .1W, 1%	191465-1000	
R301	1K, 0603, .1W, 1%	191465-1001	
R302	10K, 0603, .1W, 1%	191465-1002	
R303	100 OHM, 0603, .1W, 1%	191465-1000	
R304	100K, 0603, .1W, 1%	191465-1003	
R305	6.65K, 0603, .1W, 1%	191465-6651	
R306	221K, 0603, .1W, 1%	191465-2213	
R307	221K, 0603, .1W, 1%	191465-2213	
R308	221K, 0603, .1W, 1%	191465-2213	
R309	10 OHM, 0805, .125W, 1%	133625-10R0	
R310	10 OHM, 0805, .125W, 1%	133625-10R0	
R311	10 OHM, 0805, .125W, 1%	133625-10R0	
R312	10 OHM, 0805, .125W, 1%	133625-10R0	
R313	6.65K, 0603, .1W, 1%	191465-6651	
R314	221K, 0603, .1W, 1%	191465-2213	
R315	221K, 0603, .1W, 1%	191465-2213	
R316	221K, 0603, .1W, 1%	191465-2213	
R317	33 OHMS, 0603, .1W, 5%	199403-330	
R318	33 OHMS, 0603, .1W, 5%	199403-330	
R319	3.01K, 0603, .1W, 1%	191465-3011	
R320	3.01K, 0603, .1W, 1%	191465-3011	
R321	3.01K, 0603, .1W, 1%	191465-3011	
R322	3.01K, 0603, .1W, 1%	191465-3011	
R327	47K, 0805, 1/10W, 5%	133626-4735	
R328	5.23K, 0805, .125W, 1%	133625-5231	
R401	25 OHM, THERMISTOR, 2A, 20J	324066-2000J	
R403	750K, 1206, 0.25W, 5%	359979-754J	
R407	750K, 1206, 0.25W, 5%	359979-754J	
R416	100 OHM, ARRAY, SMT, 4 POS, 5%	186433-1014	
R417	100 OHM, ARRAY, SMT, 4 POS, 5%	186433-1014	
R500	510 OHM, 2512, 1W, 5%	181895-5100	
R501	220K, 0603, .1W, 5%	199403-224	
R502	220K, 0603, .1W, 5%	199403-224	
R503	100 OHM, 0603, .1W, 1%	191465-1000	
R504	220 OHM, 2512, 1W, 5%	181895-2200	
R505	21.5K, 0603, .1W, 1%	191465-2152	
R506	10K, 0603, .1W, 1%	191465-1002	
R507	10K, 0603, .1W, 1%	191465-1002	
R508	68.1K, 0603, .1W, 1%	191465-6812	
R509	18.2K, 0603, .1W, 1%	191465-1822	
R510	301 OHM, 0805, .125W, 1%	133625-3010	
R511	301 OHM, 0805, .125W, 1%	133625-3010	
R512	10 OHM, 2512, 1W, 5%	181895-10R0	
R513	1K, 0603, .1W, 1%	191465-1001	
R514	200 OHM, 0603, .1W, 1%	191465-2000	
R515	2512, 1W, 1%, 0.066OHM	260699-066F	
R516	2512, 1W, 1%, 0.066OHM	260699-066F	
R517	1.0 OHM, 0603, .1W, 1%	191465-01R0	
R518	49.9K, 0603, .1W, 1%	191465-4992	
R520	22.1 OHM, 1206, 1/4W, 1%	124894-22R1	
R521	10.2K, 0603, .1W, 1%	191465-1022	
R522	1.18K, 0603, 100MW, 1%	191465-1181	
R523	220 OHM, 2512, 1W, 5%	181895-2200	
R527	10 OHM, 0805, .125W, 1%	133625-10R0	
R528	10 OHM, 0805, .125W, 1%	133625-10R0	
R534	10 OHM, 0805, .125W, 1%	133625-10R0	
R535	220K, 0603, .1W, 5%	199403-224	
R540	100K, 0603, .1W, 1%	191465-1003	
R541	100K, 0603, .1W, 1%	191465-1003	
R542	2.2K, 0603, .1W, 5%	199403-222	
R553	1K, 0603, .1W, 1%	191465-1001	
R554	10 OHM, 0805, .125W, 1%	133625-10R0	
R555	10 OHM, 0805, .125W, 1%	133625-10R0	
R556	49.9K, 0603, .1W, 1%	191465-4992	

Resistors (continued)

Reference Designator	Description	Part Number	Note
R563	49.9 OHM, 0402, 63MW, 1%	268361-49R9	
R601	2.2 OHM, 1210, 330mW, 200V, 10%	321468-2R2K	
R602	1M, 0603, .1W, 1%	191465-1004	
R603	1M, 0603, .1W, 1%	191465-1004	
R604	100 OHM, 1206, 1/4W, 5%	124895-1015	
R605	1.33K, 0603, 100MW, 1%	191465-1331	
R606	2.21K, 0603, .1W, 1%	191465-2211	
R607	20K, 0603, .1W, 1%	191465-2002	
R608	178K, 603, .1W, 1%	191465-1783	
R609	100K, 0603, .1W, 1%	191465-1003	
R610	3.92K, 0603, .1W, 1%	191465-3921	
R611	100K, 0603, .1W, 1%	191465-1003	
R612	10K, 0603, .1W, 1%	191465-1002	
R613	100K, 0603, .1W, 1%	191465-1003	
R614	100 OHM, 0603, .1W, 1%	191465-1000	
R615	24.9K, 0603, .1W, 1%	191465-2492	
R616	10M, 1206, .25W, 1%	360047-1005F	
R617	270K, 1206, 0.25W, 5%	359979-274J	
R618	7.32K, 0603, .1W, 1%	191465-7321	
R619	270K, 1206, 0.25W, 5%	359979-274J	
R620	7.32K, 0603, .1W, 1%	191465-7321	
R621	78.7K, 0603, .1W, 1%	191465-7872	
R622	10M, 1206, .25W, 1%	360047-1005F	
VR402	VARISTOR, MET OX, RADIAL, 320V, 80J	273545-005	3 
	COVER, COMPONENT	362882-0010	
VR601	IC, VREG, ADJ., 1.2-32V, SOIC	310726-001	
ZR601	ZEN, SMD, 47V	181994-47R	

Capacitors

Reference Designator	Description	Part Number	Note
C201	1.0uF, X7R, 1206, 50V, 10%	286500-105	
C202	1uF, X7R, 0603, 16V, 10%	257154-105K16	
C203	.47uF, X7RM, 0805, 16V, 5%	196995-474	
C204	0.1uF, X7R, 0603, 50V, 10%	191470-104	
C205	2200pF, X7R, 0603, 50V, 10%	191470-222	
C207	47uF, EL, SMD, 105C, 25V, 20%	306169-470EF	
C209	0.1uF, X7R, 0603, 50V, 10%	191470-104	
C210	0.1uF, X7R, 0603, 50V, 10%	191470-104	
C213	0.1uF, X7R, 0805, 50V, 10%	286499-104	
C214	0.1uF, X7R, 0805, 50V, 10%	286499-104	
C216	0.1uF, X7R, 0603, 50V, 10%	191470-104	
C217	.015uF, X7R, 0603, 50V, 10%	191470-153	
C218	.015uF, X7R, 0603, 50V, 10%	191470-153	
C219	1.0uF, X7R, 1206, 50V, 10%	286500-105	
C220	.015uF, X7R, 0603, 50V, 10%	191470-153	
C221	.015uF, X7R, 0603, 50V, 10%	191470-153	
C224	1.0uF, X7R, 1206, 50V, 10%	286500-105	
C225	220pF, COG, 0603, 50V, 5%	188454-221	
C226	220pF, COG, 0603, 50V, 5%	188454-221	
C232	1.0uF, X7R, 1206, 50V, 10%	286500-105	
C233	1.0uF, X7R, 1206, 50V, 10%	286500-105	
C234	1.0uF, X7R, 1206, 50V, 10%	286500-105	
C235	1.0uF, X7R, 1206, 50V, 10%	286500-105	
C236	1.0uF, X7R, 1206, 50V, 10%	286500-105	
C237	0.1uF, X7R, 0805, 50V, 10%	286499-104	
C238	0.1uF, X7R, 0805, 50V, 10%	286499-104	
C239	1.0uF, X7R, 1206, 50V, 10%	286500-105	
C240	1.0uF, X7R, 1206, 50V, 10%	286500-105	
C241	1.0uF, X7R, 1206, 50V, 10%	286500-105	
C242	1.0uF, X7R, 1206, 50V, 10%	286500-105	
C243	.015uF, X7R, 0603, 50V, 10%	191470-153	
C244	1.0uF, X7R, 1206, 50V, 10%	286500-105	
C246	22pF, COG, 0402, 50V, 5%	268364-220	
C247	22pF, COG, 0402, 50V, 5%	268364-220	
C248	22pF, COG, 0402, 50V, 5%	268364-220	
C249	22pF, COG, 0402, 50V, 5%	268364-220	
C250	22pF, COG, 0402, 50V, 5%	268364-220	
C256	22pF, COG, 0402, 50V, 5%	268364-220	
C300	1.0uF, X7R, 1206, 50V, 10%	286500-105	
C301	1.0uF, X7R, 1206, 50V, 10%	286500-105	
C302	1.0uF, X7R, 1206, 50V, 10%	286500-105	

ELECTRICAL PART LIST

Power PCB Assembly

Capacitors Cont.

Reference Designator	Description	Part Number	Note
C303	1.0uF, X7R, 1206, 50V, 10%	286500-105	
C304	100pF, C0G, 0603, 50V, 5%	188454-101	
C305	220pF, C0G, 0603, 50V, 5%	188454-221	
C306	220pF, C0G, 0603, 50V, 5%	188454-221	
C307	1.0uF, X7R, 1206, 50V, 10%	286500-105	
C308	.01uF, X7R, 0603, 50V, 10%	191470-103	
C309	1uF, EL, SMD, 105, 50V, 20%	306245-1R0FA	
C310	.22uF, X7R, 0805, 25V, 10%	181264-224	
C311	.22uF, X7R, 0805, 25V, 10%	181264-224	
C312	.22uF, X7R, 0805, 25V, 10%	181264-224	
C313	.22uF, X7R, 0805, 25V, 10%	181264-224	
C314	1.0uF, X7R, 1206, 50V, 10%	286500-105	
C315	1.0uF, X7R, 1206, 50V, 10%	286500-105	
C316	1.0uF, X7R, 1206, 50V, 10%	286500-105	
C317	1.0uF, X7R, 1206, 50V, 10%	286500-105	
C318	22uF, X5R, 0805, 6.3V, 20%	273592-226JM	
C319	470pF, X7R, 0603, 200V, 10%	317820-471K	
C320	470pF, X7R, 0603, 200V, 10%	317820-471K	
C321	470pF, X7R, 0603, 200V, 10%	317820-471K	
C322	470pF, X7R, 0603, 200V, 10%	317820-471K	
C323	22uF, X5R, 0805, 6.3V, 20%	273592-226JM	
C328	1.0uF, X7R, 1206, 50V, 10%	286500-105	
C329	1.0uF, X7R, 1206, 50V, 10%	286500-105	
C330	1.0uF, X7R, 1206, 50V, 10%	286500-105	
C331	1.0uF, X7R, 1206, 50V, 10%	286500-105	
C332	0.1uF, X7R, 0805, 50V, 10%	286499-104	
C333	0.1uF, X7R, 0805, 50V, 10%	286499-104	
C334	0.1uF, X7R, 0805, 50V, 10%	286499-104	
C335	0.1uF, X7R, 0805, 50V, 10%	286499-104	
C336	100pF, C0G, 0603, 50V, 5%	188454-101	
C337	100pF, C0G, 0603, 50V, 5%	188454-101	
C338	68pF, COG, 0402, 50V, 5%	268364-680	
C339	68pF, COG, 0402, 50V, 5%	268364-680	
C400	68pF, X1/Y1, 10mm LS, 250VAC, 10%	354061-680KB	3 ⚠
C401	680pF, CER, Y1, 10MM LS, 250V, 10%	323670-0060	
C402	68pF, X1/Y1, 10mm LS, 250VAC, 10%	354061-680KB	3 ⚠
C403	.015uF, X7R, 0603, 50V, 10%	191470-153	
C404	CAP, TRIMMED	323773-0030	
C405	0.15uF, X7R, 1210, 500V, 10%	359772-154K	
C406	680pF, CER, Y1, 10MM LS, 250V, 10%	323670-0060	3 ⚠
C407	680pF, CER, Y1, 10MM LS, 250V, 10%	323670-0060	3 ⚠
C408	0.15uF, X7R, 1210, 500V, 10%	359772-154K	
C409	470uF, EL, 105C, 250V, 20%	310510-471EAE	3 ⚠
C410	470uF, EL, 105C, 250V, 20%	310510-471EAE	3 ⚠
C412	0.1uF, X7R, 0805, 50V, 10%	286499-104	
C413	100pF, C0G, 0603, 50V, 5%	188454-101	
C414	100pF, C0G, 0603, 50V, 5%	188454-101	
C416	.015uF, X7R, 0603, 50V, 10%	191470-153	
C418	100pF, C0G, 0603, 50V, 5%	188454-101	
C420	100pF, C0G, 0603, 50V, 5%	188454-101	
C422	0.15uF, X7R, 1210, 500V, 10%	359772-154K	
C423	0.15uF, X7R, 1210, 500V, 10%	359772-154K	
C500	47uF, EL, SMD, 105, 35V, 20%	306245-470EE	
C501	0.15uF, X7R, 1210, 500V, 10%	359772-154K	
C502	0.1uF, X7R, 0805, 50V, 10%	286499-104	
C503	27pF, COG, 0402, 50V, 5%	268364-270	
C504	220pF, C0G, 0603, 50V, 5%	188454-221	
C505	1.0uF, X5R, 0603, 16V, 20%	300292-105	
C507	.33uF, X7R, SMD, 0603, 16V, 5%	257154-334J16	
C508	1200pF, COG, 0603, 50V, 5%	188454-122	
C509	100pF, C0G, 0603, 50V, 5%	188454-101	
C510	0.1uF, X7R, 0603, 50V, 10%	191470-104	
C511	2700pF, X7R, 0603, 50V, 10%	191470-272	
C512	CAP, TRIMMED	323773-0040	
C513	CAP, TRIMMED	323773-0040	
C514	1.0uF, X5R, 0603, 16V, 20%	300292-105	
C515	CAP, TRIMMED	323773-0010	

Capacitors Cont.

Reference Designator	Description	Part Number	Note
C516	CAP, TRIMMED	323773-0040	
C517	4700PF, X7R, 0603, 50V, 10%	191470-472	
C519	470pF, X7R, 0603, 200V, 10%	317820-471K	
C520	100pF, C0G, 0603, 50V, 5%	188454-101	
C521	3300uF, EL, 105C, 35V, 20%	310927-332MVBMP	
C522	0.15uF, X7R, 1210, 500V, 10%	359772-154K	
C523	150pF, C0G, 0805, 200V, 5%	260668-151J	
C524	150pF, C0G, 0805, 200V, 5%	260668-151J	
C525	1.0uF, X7R, 1206, 50V, 10%	286500-105	
C526	.047uF, X7R, 0805, 50V, 10%	286499-473	
C527	1.0uF, X5R, 0603, 16V, 20%	300292-105	
C528	150pF, C0G, 0805, 200V, 5%	260668-151J	
C529	100pF, C0G, 0603, 50V, 5%	188454-101	
C537	0.1uF, X7R, 0603, 50V, 10%	191470-104	
C538	20pF, COG, 0603, 50V, 5%	188454-200	
C539	390pF, C0G, 0603, 50V, 5%	188454-391	
C545	470pF, X7R, 0603, 200V, 10%	317820-471K	
C546	220pF, C0G, 0603, 50V, 5%	188454-221	
C550	4.7uF, X5R, 0805, 16V, 10%	273592-475C	
C552	56pF, COG, 0402, 50V, 5%	268364-560	
C566	27pF, C0G, 0603, 50V, 5%	188454-270	
C567	27pF, C0G, 0603, 50V, 5%	188454-270	
C601	.1uF, X7R, 1206, 100V, 10%	279056-104	
C602	47uF, EL, SMD, 105C, 50V, 20%	317164-4701HF	
C603	47uF, EL, SMD, 105C, 50V, 20%	317164-4701HF	
C604	1.0uF, X7R, 1206, 50V, 10%	286500-105	
C605	100pF, C0G, 0603, 50V, 5%	188454-101	
C606	100pF, C0G, 0603, 50V, 5%	188454-101	

Inductors

Reference Designator	Description	Part Number	Note
L209	PLANAR, 4-LAYER, 4T, ERF28-450	319196-450	
L209A	450nH/N ² , CORE, FERRITE, ERF28	314443-450	
L300	PLANAR, 4-LAYER, 8T, ERF17-160	318999-160	
L300A	160nH/N ² , CORE, FERRITE, ERF17	314442-160	
L301	PLANAR, 4-LAYER, 8T, ERF17-160	318999-160	
L301A	160nH/N ² , CORE, FERRITE, ERF17	314442-160	
L400	10mH, COM MODE CHOKE	310640-002	3 ⚠
L401	480 OHMS, BEAD, FERRITE, DIFF-MODE, 100MHz	625162-0010	3 ⚠
L402	480 OHMS, BEAD, FERRITE, DIFF-MODE, 100MHz	625162-0010	3 ⚠
L501	22uH, FIXED, 20%	307181-223M	
L502	28.75uH, TOROID, 10%	310734-001	

Diodes

Reference Designator	Description	Part Number	Note
D502	SOT-23, BAV 99	147239	
D503	REC, FAST SWTG, 4A, 400V	310628-002	
D504	SWITCHING, 75V, 200mA	148582	
D505	SWITCHING, 75V, 200mA	148582	
D509	RECT, FAST, 600V, 1A	317066-600	
D601	PWR SCHOTTKY, 1A, 150V, SMA	321276-001	
D602	SCHOTTKY, 28V, 2A	300287-001	

ELECTRICAL PART LIST

Power PCB Assembly

Transistors

Reference Designator	Description	Part Number	Note
Q300	BRT, NPN, 4.7K/47K, SOT-23	346223-0010	
Q500	MFET, N-CH, 600V	310519-001	
Q501	MFET, N-CH, 600V	310519-001	
Q509	P, 47K, BIAS, SOT23	258025	
Q511	BPLR, N, 40V, 200mA, SOT23	146819	
Q601	BPLR, P, 40V, 200mA, SOT23	148596	
Q602	BPLR, N, 40V, 200mA, SOT23	146819	
Q603	BPLR, N, 40V, 200mA, SOT23	146819	
Q604	BPLR, PNP, 0.15A, 500V, SOT-23	369841-0010	
Q605	BPLR, PNP, 0.15A, 500V, SOT-23	369841-0010	
Q606	BPLR, N, 40V, 200mA, SOT23	146819	

Integrated Circuits

Reference Designator	Description	Part Number	Note
U200	IC, NOR GATE, QUAD, 2-INPUT, 5.5V, SOIC	324043-0010	
U201	IC, PWRAMP, TDF8599BTHN1C, HSOP, P-UP	320885-001	3 ⚠
U300	IC, PWR-AMP, CLASS D, 20W	298092-001	
U402	IC, CAP DISCHARGE, 825V, CAP002DG, 8SO	357463-0010	
U501	IC, AMP, OPTICALLY ISOL., 1%	310589-001	
U503	IC, VREG, 5.0V, FIXED, LDO, SOIC	313374-050	
U504	IC, HALF-BRIDGE GATE DRIVER	317085-001	
U505	IC, PWM CONTROLLER, 50% DUTY CY	317119-002	
U506	IC, SCHMITT TRIGGER, 18V, SSOP-5	317128-001	
U601	IC, OPTOISOLATOR, CNY17F-1X007	254120-002	3 ⚠

Miscellaneous

Reference Designator	Description	Part Number	Note
SHLD1	FENCE, EMI, PS, ASSY	342156-0010	
T501	TRANSFORMER, PULSE, 1:0.667	310977-001	3 ⚠
T502	XFORMER, OCL, 240uH, W/QUIET TAP, 2PIN-UPL	310658-003	3 ⚠
F400	FUSE, TIME LAG, RADIAL, 3.15A, 250V	310538-3150A	3 ⚠
FB401	FERRITE, BEAD, 0805, 0.5A, 25%, 1kOHM	373876-102	3 ⚠
FB402	FERRITE, BEAD, 0805, 0.5A, 25%, 1kOHM	373876-102	3 ⚠
FB501	220 OHM, BEAD, FERRITE, 0603, 2A	322644-221A	
HS1	HEAT SINK, TO-252 (D-PAK)	310759-001	
J200	CONN, HEADER, RTANG, 2 POS, MALE	134290-02	
J201	CONN, W/BOSS, 2.5MM, 4-P, TOP-ENT	283142-010104	
J400	AC CONN, SINGLE PIECE LEADS	301125-001	3 ⚠
J401	CONN, FFC, 1mm, S ENTRY, 30POS	255130-030	
J402	CONN, SIDE ENTRY, W/PCB STAB	258436	3 ⚠
JP401	JUMPER, 2A, 1206	319408-001	
-	SHIELD, BOTTOM, PS	311564-0010	
-	SHIELD, TOP, PS	311561-0010	
-	INSULATOR, LOWER, PS	311794-0010	3 ⚠
-	INSULATOR, UPPER, PS	373397-0010	3 ⚠


ELECTRICAL PART LIST

I/O PCB Assembly

Resistors

Reference Designator	Description	Part Number	Note
R201	2.7 OHM, 1206, 1/4W, 5%	124895-2R75	
R202	2.7 OHM, 1206, 1/4W, 5%	124895-2R75	
R205	10K, 0603, .1W, 1%	191465-1002	
R207	100K, 0402, 63MW, 1%	268361-1003	
R208	100K, 0402, 63MW, 1%	268361-1003	
R209	332K, 0603, .1W, 1%	191465-3323	
R210	56.2K, 0603, .1W, 1%	191465-5622	
R211	100K, 0402, 63MW, 1%	268361-1003	
R213	42.2K, 0603, .1W, 1%	191465-4222	
R216	237K, 0603, 0.1W, 1%	191465-2373	
R219	22.6K, 0603, 1/10W, 1%	191465-2262	
R224	200K, 0603, .1W, 1%	191465-2003	
R225	8.06K, 0603, .1W, 1%	191465-8061	
R301	120 OHM, 0603, .1W, 5%	199403-121	
R302	100K, 0603, .1W, 1%	191465-1003	
R303	100 OHM, 0603, .1W, 1%	191465-1000	
R304	22.6K, 0603, 1/10W, 1%	191465-2262	
R305	22.6K, 0603, 1/10W, 1%	191465-2262	
R307	5.49k, 0402, 63MW, 1%	268361-5491	
R308	1.69K, 0402, .063W, 1%	268361-1691	
R309	3.32K, 0402, 63MW, 1%	268361-3321	
R310	10K, 0603, .1W, 1%	191465-1002	
R313	10K, 0603, .1W, 1%	191465-1002	
R314	3.9K, 0603, .1W, 1%	191465-3901	
R315	3.9K, 0603, .1W, 1%	191465-3901	
R316	100K, 0603, .1W, 1%	191465-1003	
R317	332K, 0603, .1W, 1%	191465-3323	
R322	75 OHM, 0402, 63MW, 1%	268361-75R0	
R325	75 OHM, 0402, 63MW, 1%	268361-75R0	
R326	10.0K, 0402, 63MW, 1%	268361-1002	
R401	2K, 0603, .1W, 1%	191465-2001	
R402	2K, 0603, .1W, 1%	191465-2001	
R404	1.5K, ARRAY, SMT, 4 POS, 5%	186433-1524	
R407	10K, 0603, .1W, 1%	191465-1002	
R408	15K, 0402, 63MW, 1%	268361-1502	
R409	120 OHM, 0603, .1W, 5%	199403-121	
R410	6.65K, 0603, .1W, 1%	191465-6651	
R411	100 OHM, 0603, .1W, 5%	199403-101	
R412	332K, 0603, .1W, 1%	191465-3323	
R413	10K, 0603, .1W, 1%	191465-1002	
R416	120 OHM, 0603, .1W, 5%	199403-121	
R501	100 OHM, 0402, 63MW, 1%	268361-1000	
R504	100K, 0603, .1W, 5%	199403-104	
R505	100 OHM, 0402, 63MW, 1%	268361-1000	
R506	100K, 0603, .1W, 5%	199403-104	
R507	100K, 0603, .1W, 5%	199403-104	
R508	100 OHM, 0402, 63MW, 1%	268361-1000	
R509	100K, 0603, .1W, 5%	199403-104	
R600	53.6K, 1206, 1/4W, 1%	124894-5362	
R601	11.5K, 1206, 1/4W, 1%	124894-1152	
R602	1.5 OHM, 1210, 0.5W, 1%	318356-1501	
R603	15.0K, 1206, 1/4W, 1%	124894-1502	
R604	15 OHM, 1206, .25W, 1%	268362-15R0	
R605	15.0K, 1206, 1/4W, 1%	124894-1502	
R606	100K, 2512, 1W, 5%	181895-1003	
R607	1.5 OHM, 1210, 0.5W, 1%	318356-1501	
R608	22OHMS, AXIAL, 2W, 5%	361290-0220	
R609	1.15K, 1206, 1/4W, 1%	124894-1151	
R610	510 OHM, 2010, 1/2W, 5%	187608-5115	
R611	510 OHM, 2010, 1/2W, 5%	187608-5115	
VR202	IC, VREG, SW, BUCK, 581kHz, 1.5A, 42V, 10MSOP	328718-0020	
VR301	TVS, ESD, 0603, 24VDC	352782-0010	
VR302	TVS, ESD, 0603, 24VDC	352782-0010	
VR303	TVS, ESD, 0603, 24VDC	352782-0010	
VR304	TVS, ESD, 0603, 24VDC	352782-0010	
VR310	TVS, ESD, 0603, 24VDC	352782-0010	
VR311	TVS, ESD, 0603, 24VDC	352782-0010	
VR312	TVS, ESD, 0603, 24VDC	352782-0010	
VR313	TVS, ESD, 0603, 24VDC	352782-0010	
VR315	TVS, ESD, 0603, 24VDC	352782-0010	
VR316	TVS, ESD, 0603, 24VDC	352782-0010	
VR318	TVS, ESD, 0603, 24VDC	352782-0010	
VR501	IC, VREG, POS, 0.1A, 3.3V, SOT23-5	313363-001	

Capacitors Cont.

Reference Designator	Description	Part Number	Note
C201	10uF, X5R, 0805, 25V, 10%	273592-106E	
C202	1000pF, 0603, X7R, 50V	191470-102	
C203	1uF, 0805, X7R, 10%, 25V	181264-105	
C204	4.7uF, X7R, 1210, FLEX TERM, 50V, 10%	315052-475E	
C206	.01uF, 0805, X7R, 50V, 10%	286499-103	
C207	100uF, EL, SMD, 105, 16V, 20%	306169-101CF	
C209	1000pF, 0603, X7R, 50V	304991-102	
C212	.01uF, 0603, X7R, 50V	191470-103	
C313	100pF, COG, 0603, 50V, 5%	188454-101	
C401	1000pF, COG, 0603, 50V, 5%	188454-102	
C402	1000pF, COG, 0603, 50V, 5%	188454-102	
C403	1000pF, COG, 0603, 50V, 5%	188454-102	
C404	1000pF, COG, 0603, 50V, 5%	188454-102	
C405	1000pF, COG, 0603, 50V, 5%	188454-102	
C406	1000pF, COG, 0603, 50V, 5%	188454-102	
C407	1uF, 1206, X7R, LD, 25V, 10%	306105-105	
C408	1uF, 1206, X7R, LD, 25V, 10%	306105-105	
C409	1uF, 1206, X7R, LD, 25V, 10%	306105-105	
C410	1uF, 1206, X7R, LD, 25V, 10%	306105-105	
C411	1uF, 1206, X7R, LD, 25V, 10%	306105-105	
C412	1uF, 1206, X7R, LD, 25V, 10%	306105-105	
C413	1uF, 1206, X7R, LD, 25V, 10%	306105-105	
C414	1uF, 1206, X7R, LD, 25V, 10%	306105-105	
C415	12pF, COG, 0603, 50V, 5%	188454-120	
C418	12pF, COG, 0603, 50V, 5%	188454-120	
C501	1.0uF, 1206, X7R, 50V, 10%	286500-105	
C502	1000pF, COG, 0402, 50V, 5%	268364-102	
C503	1000pF, COG, 0402, 50V, 5%	268364-102	
C504	1000pF, COG, 0402, 50V, 5%	268364-102	
C505	1000pF, COG, 0402, 50V, 5%	268364-102	
C506	1000pF, COG, 0402, 50V, 5%	268364-102	
C507	1000pF, COG, 0402, 50V, 5%	268364-102	
C600	.0047uF, 0805, X7R, 50V, 10%	286499-472	
C601	10uF, EL, SMD, 105C, 35V, 20%	306245-100EB	
C602	680nF, 1206, X7R, 25V	262063-6845	
C603	330uF, EL, SMD, 105C, 25V, 20%	306169-331EH	
C604	.001uF, 0805, X7R, 50V, 10%	286499-102	
C605	10uF, X5R, 0805, 25V, 10%	273592-106E	
C606	1500pF, X7R, 1206, 500V, 10%	260697-152	
C608	470uF, EL, SMD, 105C, 25V, 20%	306169-471EJ	
C610	470uF, EL, SMD, 105C, 25V, 20%	306169-471EJ	
C616	TRIMMED	323773-0040	
C617	680pF, CER, Y1, FRMD, 10mm LS, 250V, 10%	323670-0060	3 

Inductors

Reference Designator	Description	Part Number	Note
FB300	120 OHM, FERRITE BEAD, CHIP, 0603	259925-121	
FB301	120 OHM, FERRITE BEAD, CHIP, 0603	259925-121	
FB302	120 OHM, FERRITE BEAD, CHIP, 0603	259925-121	
FB300	120 OHM, FERRITE BEAD, CHIP, 0603	259925-121	
L202	22uH, PWR, SMT, 4.71A	348801-220M	
L301	15nH, 0402, 1.1A, 2%	328669-15NXGLW	
L302	15nH, 0402, 1.1A, 2%	328669-15NXGLW	
L303	15nH, 0402, 1.1A, 2%	328669-15NXGLW	
L304	15nH, 0402, 1.1A, 2%	328669-15NXGLW	
L305	90 OHM, 0504, 150mA, C- MODE	324381-090D	
L306	90 OHM, 0504, 150mA, C- MODE	324381-090D	

ELECTRICAL PART LIST

I/O PCB Assembly

Diodes

Reference Designator	Description	Part Number	Note
D202	SCHOTTKY, 40V, 3A, SMB	193847-001	
D600	SWITCHING, SOD123, 1N4148W	257662	
D601	DIODE, RECT, FAST, 600V, 1A	317066-600	
D602	SCHOTTKY, 60V, 3A	307429-60	

Transistors

Reference Designator	Description	Part Number	Note
Q201	MOSFET, P-CH, 30V	298094-001	
Q202	BPLR, P, 40V, 200mA, SOT23	148596	
Q203	MFET, N-CH, SOT-23, 0.3A, 60V	356154-0010	
Q301	MFET, N-CH, SOT-23, 0.3A, 60V	356154-0010	
Q302	MFET, N-CH, SOT-23, 0.3A, 60V	356154-0010	
Q303	MFET, N-CH, SOT-23, 0.3A, 60V	356154-0010	
Q304	PNP, 80V, SOT-23	295966-001	
Q305	PNP, 80V, SOT-23	295966-001	

Integrated Circuits

Reference Designator	Description	Part Number	Note
U201	IC, O/V PROTECT, 5.85V, NCP367, 8DFN	355357-0010	
U301	CONN, RJ45, 2.54mm, S ENT, SHLD, TAB-UP, 8POS	361231-0010	
U401	IC, 2 INPUT NOR GATE X4, 74HC02	260645	
U503	IC, LOGIC, DOWN CNTR, 8 STAGE, 5V, SO16N	355234-0020	
U504	IC, LOGIC, FLIP FLOP, DUAL, 6V, 74HC74, 14SO	359440-0010	
U505	IC, LOGIC, DOWN CNTR, 8 STAGE, 5V, SO16N	355234-0020	
U507	IC, 2 INPUT NOR GATE X4, 74HC02	260645	
U602	IC, VREG, SW, AC-DC, 800V, ALTAIR05T, SO16N	354468-0010	

Miscellaneous

Reference Designator	Description	Part Number	Note
FB300	120 OHM, FERRITE BEAD, CHIP, 0603	259925-121	
FB301	120 OHM, FERRITE BEAD, CHIP, 0603	259925-121	
FB302	120 OHM, FERRITE BEAD, CHIP, 0603	259925-121	
FB300	120 OHM, FERRITE BEAD, CHIP, 0603	259925-121	
J301	CONN, USB, MICRO-B, 5POS, FEMALE	330458-0010	
J302	CONN, USB, TYPE A, SMT	306363-001	
J303	CONN, PHONE, 3.5MM, FEMALE, 7POS, BLK	330462-0010	
J305	CONN, FFC, 0.5mm, S ENTRY, 31POS, W/SHIELD	310623-031	
J400	CONN, FFC, 0.5mm, S ENTRY, 40POS	310573-040	
J401	CONN, FFC, 1mm, S ENTRY, 30POS, BLK	255130-030	
J600	CONN, HEADER, LOCKING, TOP ENTRY	193369-002	

ELECTRICAL PART LIST

Button PCB Assembly

Diodes

Reference Designator	Description	Part Number	Note
VR300	DIODE, TVS, ESD, 0603, 24VDC	352782-0010	
VR301	DIODE, TVS, ESD, 0603, 24VDC	352782-0010	
VR302	DIODE, TVS, ESD, 0603, 24VDC	352782-0010	
VR303	DIODE, TVS, ESD, 0603, 24VDC	352782-0010	
VR304	DIODE, TVS, ESD, 0603, 24VDC	352782-0010	
VR305	DIODE, TVS, ESD, 0603, 24VDC	352782-0010	
VR306	DIODE, TVS, ESD, 0603, 24VDC	352782-0010	

Miscellaneous

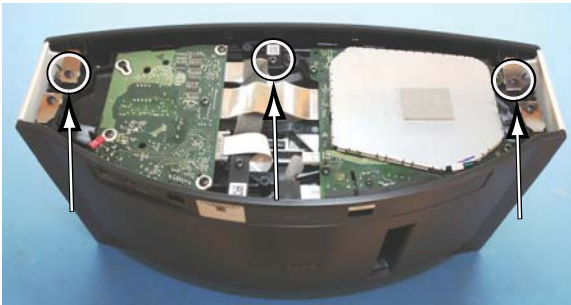
Reference Designator	Description	Part Number	Note
J300	CONN, FFC, 0.5mm, S ENTRY, 10POS, IVRY	349234-0010	

DISASSEMBLY PROCEDURE

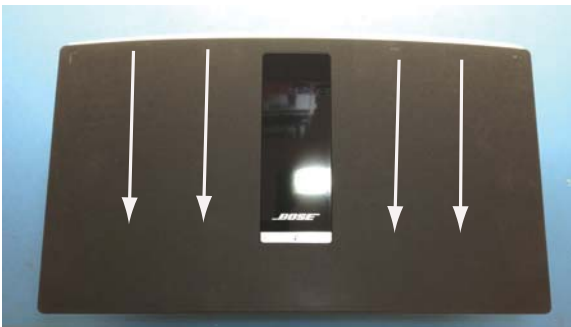
1. Grill removal



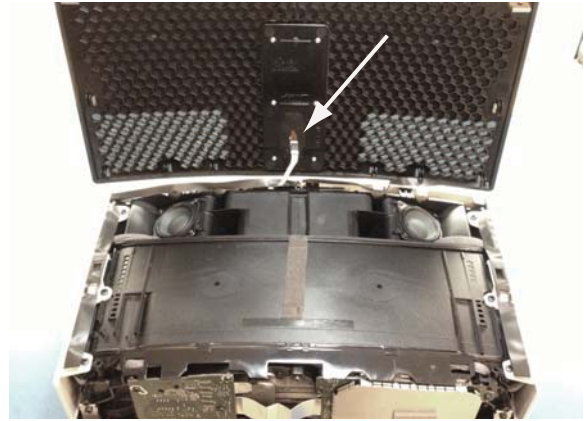
1.1 Remove the four Phillips-head screws from the bottom baseplate.



1.2 Remove the three screws holding the Grille in place.



1.3 Push down on the grille from the top to release the tabs. Then pull outward from the bottom.

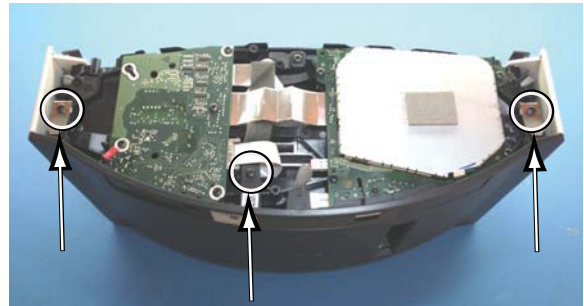


1.3 Disconnect the flex cable from the display board and remove the grille.

! Important Note: Take ESD precautions when connecting or disconnecting the OLED display. Refer to page 5 for ESD precautions.

Important Note: The display assembly must be replaced with the display assembly listed in the main part list. There are different OLEDs that need to match the display PCB. The display assembly listed in the main part list uses a matched OLED and display PCB.

2. Rear Cover Removal

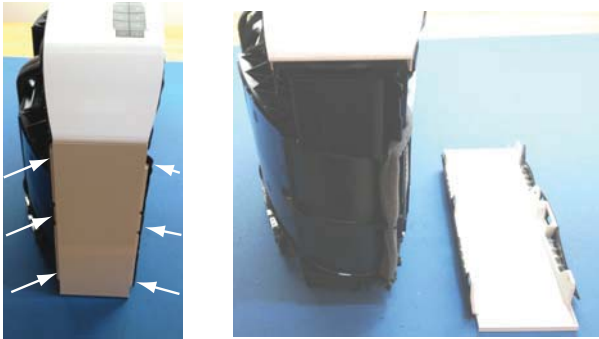


2.1 Remove the three screws holding the rear cover in place.



DISASSEMBLY PROCEDURE CONTINUED

3. Left and Right End Cap Removal



3.1 Remove the six screws securing the left End Cap. Repeat this step for the Right End Cap.

4. Top Cap Removal



4.1 Remove the foam tape covering the top cap screws.

4.2 Remove the four screws from the front side of the assembly.

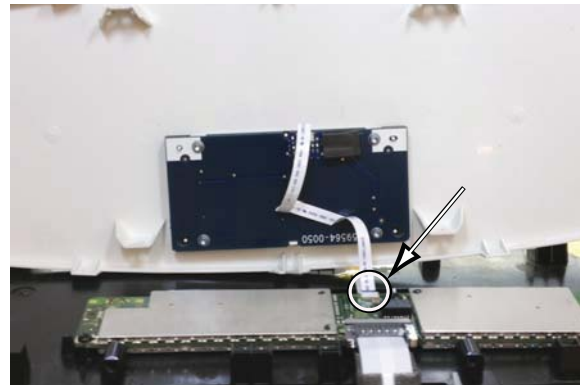


4.3 Remove the foam tape covering the screws holding the top cap to rear side of the assembly.

4.4 Remove the four screws from the rear side of the assembly.

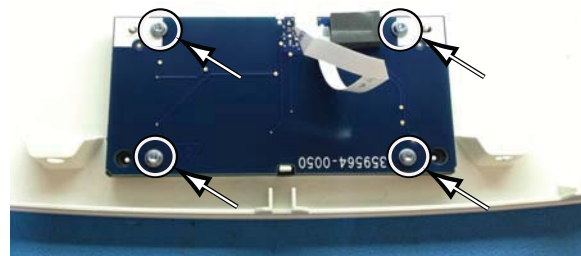


4.5 Grab the front middle section of top cover and pull upward to release the cover.



4.6 Remove the cable from the button board, then remove the top cap.

5. Button Board Removal

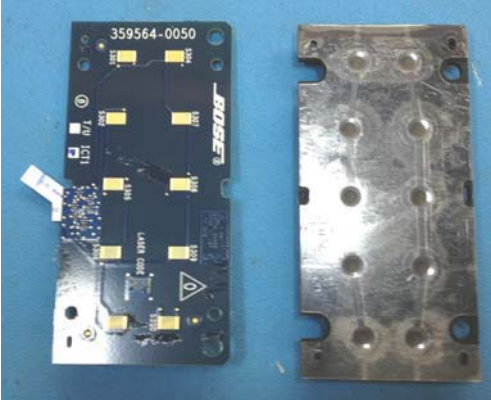


5.1 Remove the four Phillips-head screws from the button board.

Button Board Removal continued on next page.

DISASSEMBLY PROCEDURE CONTINUED

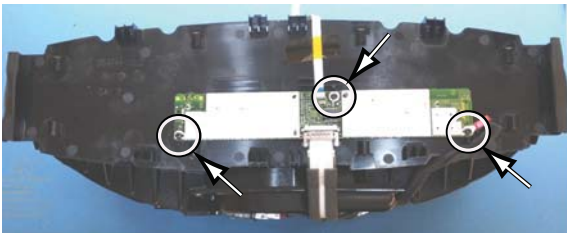
Button Board Removal Continued



6.1 The key pad and the button board are attached by PSA (Pressure Sensitive Adhesive). When replacing the button board, pull the key pad way from the board and replace both parts.

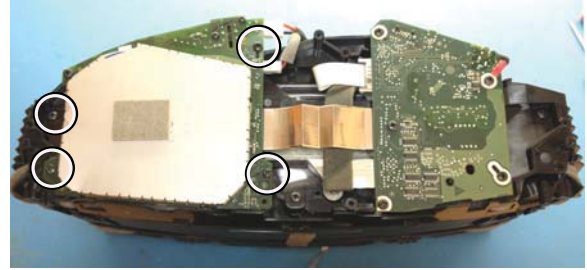
Key pad part number - 354213-0020
Button board part number - 359563-0010

7. SoundTouch™ Common Module Removal



7.1 Disconnect the Common Module connector and remove the three screws securing the board.

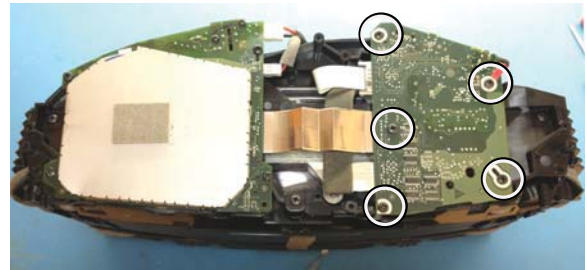
8. Power Supply PCB Removal



8.1 Remove the four screws holding the power supply board to the assembly.

8.1 Disconnect connectors J200, J201, J401 and J402 to completely remove the board.

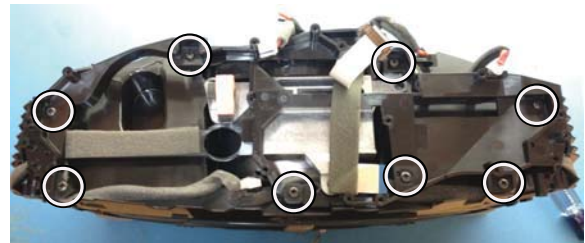
9. I/O PCB Removal



9.1 Remove the five screws holding the I/O board to the assembly.

9.2 Disconnect connectors J305, J400, J401 and J600 to completely remove the board.

10. Woofer Removal

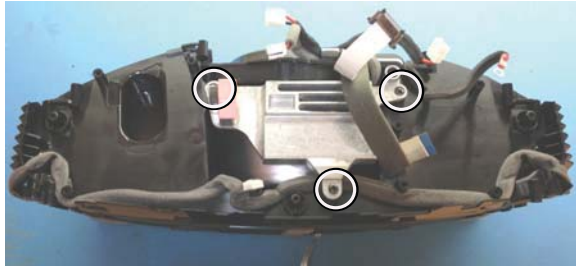


10.1 Remove the 8 screws holding the bottom bracket to the acoustic enclosure.

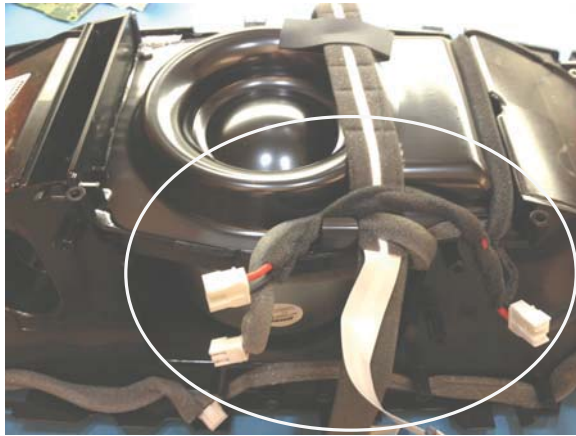
Woofer removal
continued on next page.

DISASSEMBLY PROCEDURE CONTINUED

Woofers Removal Continued



10.2 Remove the three screws from the heatsink.



10.3 Before removing the woofer cover, take note of the cable locations shown above for reassembly.



10.4 Remove the three screws holding the woofer cover in place.



10.5 Remove the four screws securing the woofer to the acoustic assembly to remove the driver.

TOP CAP, END CAP, GRILLE AND REAR COVER INSTALLATION

Aligning the Top Cap, End Cap, Grille and Rear Cover

Alignment of the outer cosmetic parts on the SoundTouch™ 30 is critical during reassembly. Follow the instructions below to ensure the top cap, end cap, grille and rear cover are aligned correctly based on the measurements on pages 27 and 28 of this service manual.

1. Top Cap installation

1.1 Push down on the top cap and install the 4 middle screws.

1.2 Install the 4 outside screws and push down on the end of the top cap assembly as the screws are being installed.

Apply pressure downward when installing the front and rear outside screws



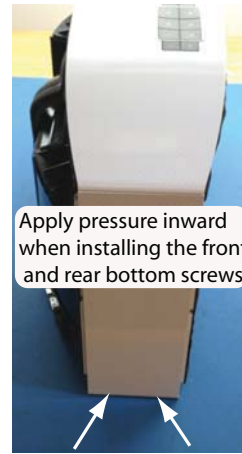
2. End Cap Installation

2.1 Install the two screws at the top of the end cap, squeezing the top cap and the endcap together as the screws are installed.



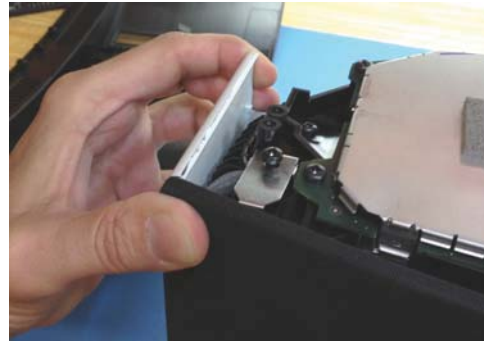
2.2 Install the two middle screws to the end cap making sure the top cap does not hang over the end cap.

2.3 Install the two bottom screws while applying pressure inward at the bottom of the end cap.



2. Grille Installation

2.4 Install the three screws to secure the grille to the assembly. Squeeze the grille and the end cap together as the screws are installed.

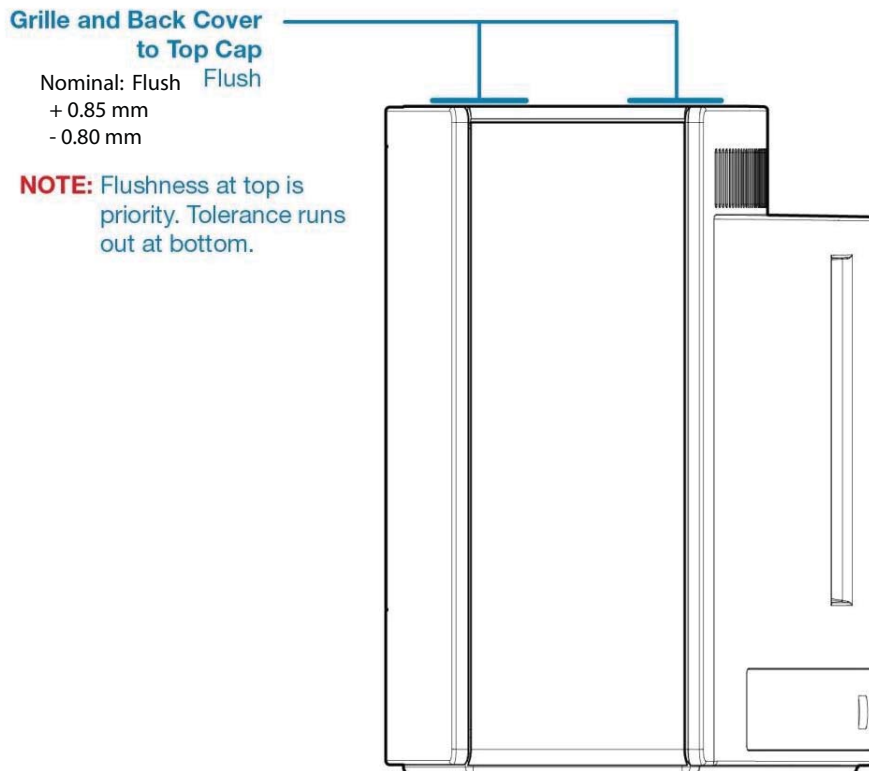
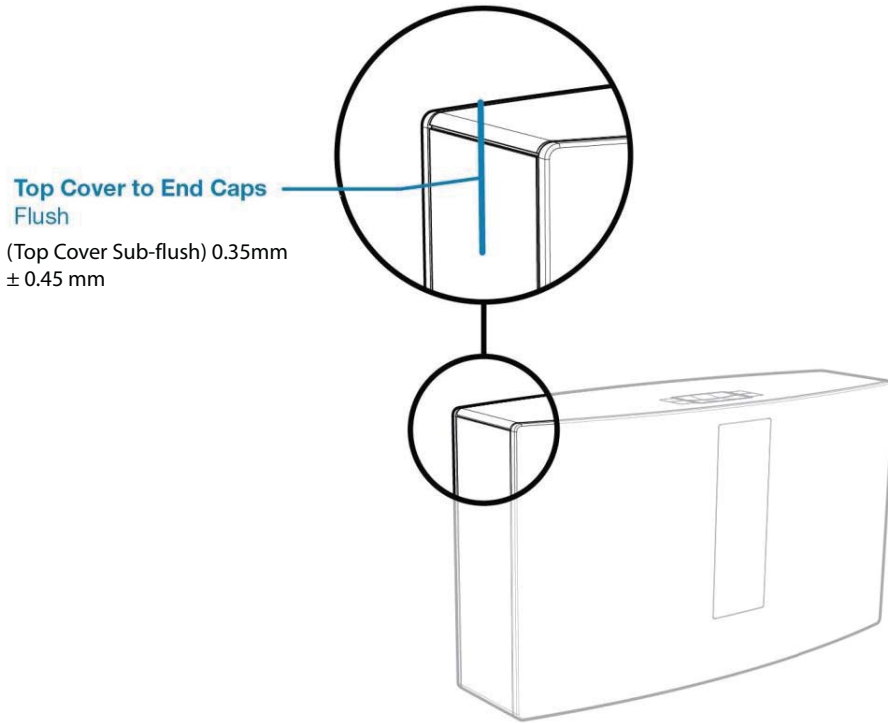


2. Rear Cover Installation

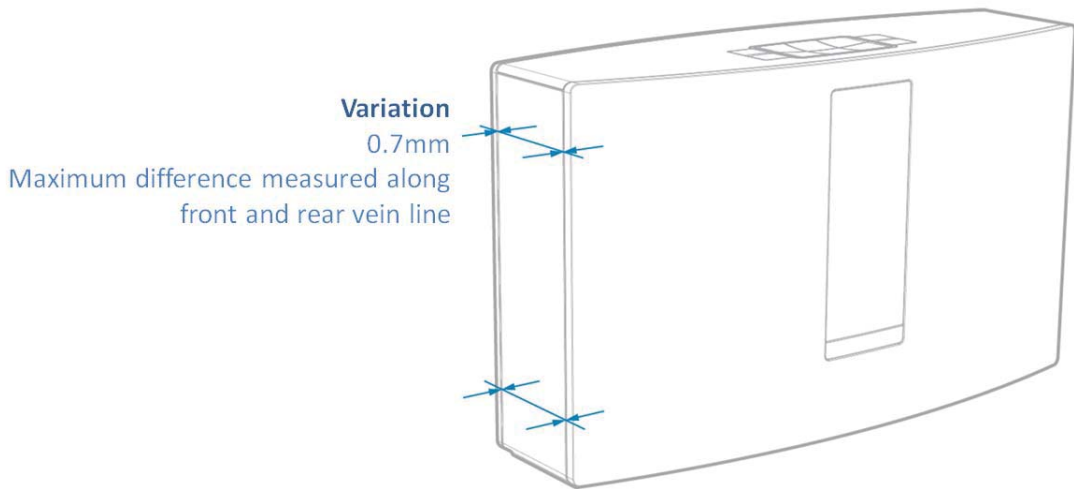
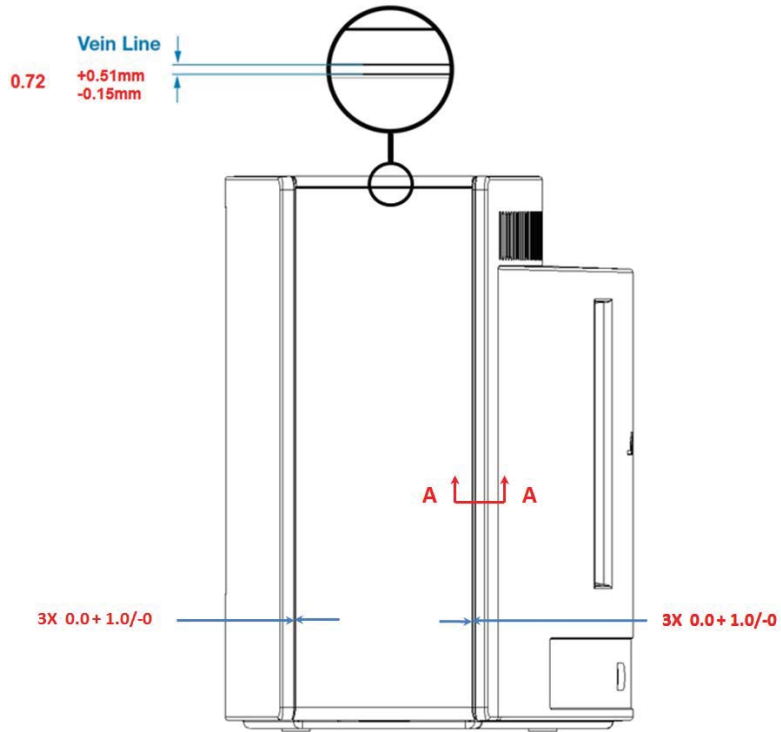
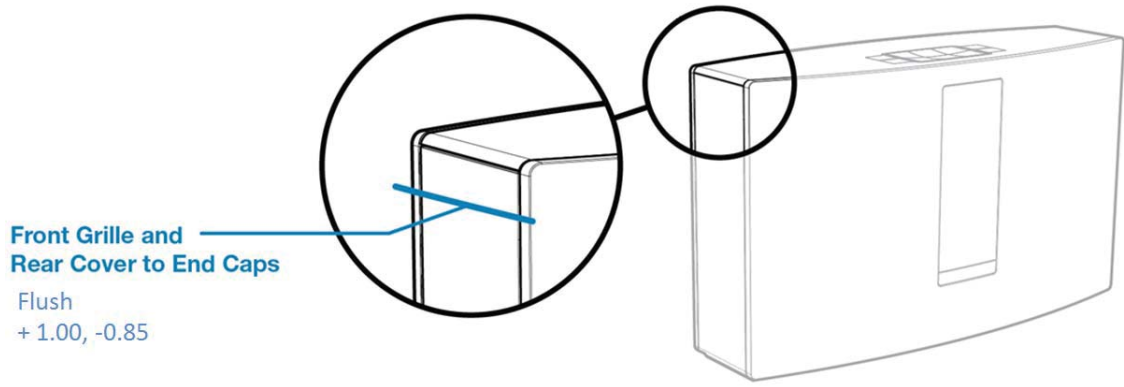
2.5 Install the three screws to secure the rear cover to the assembly. Squeeze the rear cover and the end cap together as the screws are installed.



TOP CAP, END CAP, GRILLE AND REAR COVER INSTALLATION



TOP CAP, END CAP, GRILLE AND REAR COVER INSTALLATION



AUDIO TEST PROCEDURES

SoundTouch™ 30 WiFi Music System Functional Tests

Equipment Required

Audio Signal Generator

Notes:

1. Begin the test with no power applied.
2. Confirm the Audio Signal Generator output is set to zero volts before connecting.

1. Twiddler™ Air Leak Test

1.1 Connect the audio signal generator to the mini jack AUX input on the back of SoundDock 10.

1.2 Set the signal generator output to:

- A. Voltage = 0V
- B. Frequency = 250Hz +/- 10%

1.3 Apply power to the SoundTouch 30 and select AUX. Set volume to 60% by using the volume control.

1.4 Set the Signal generator output to:
A. Input Voltage = 1.0Vrms +/- 10%
B. Frequency = 250Hz +/- 5Hz

1.5 Listen for air leaks around all the cabinet seams, joints, and wire harness through-holes.

PASS if no audible air leaks can be heard at a distance of less than 1ft (0.3M) from any exterior surface of the enclosure.

FAIL if any air leaks can be heard at a distance less than 1ft (0.3M) from any exterior surface of the enclosure.

2. Woofer Air Leak Test

2.1 Set the signal generator output to:

- A. Input Voltage = 0.570 Vrms +/- 10%
- B. Frequency = 44Hz +/- 5Hz

2.2 Listen for air leaks around all the cabinet seams, joints, and wire harness through-holes.

PASS if no audible air leaks can be heard at a distance of less than 1ft (0.3M) from any exterior surface of the enclosure.

FAIL if any air leaks can be heard at a distance less than 1ft (0.3M) from any exterior surface of the enclosure.

3. Left / Right Driver Test

3.1 Apply an input signal to the SoundTouch left channel only. Set generator as in step 1.3 and 1.4, except set the frequency to 800Hz and confirm that only the left driver plays.

3.2 Reduce generator output to zero volts

3.3 Repeat step 3.1 for the right channel.

3.4 Reduce input signal to zero volts and reconnect the right channel.

4. Frequency Sweep Test

4.1 Set audio signal generator to:
A. Voltage = 0.06 Vrms \pm 10%
B. Sweep range = 35Hz - 3KHz \pm 10%

4.2 Execute the sweep for a minimum of 3 seconds up and 3 seconds down.

4.3 Listen for any extraneous noises such as buzzes, rattles, ticks, and distortion.

PASS if no noise can be heard at a distance of less than 1ft (0.3M).

FAIL if any noise can be heard at a distance less than 1ft (0.3M).

4.4 Reduce the input signal to zero volts.

TAP COMMAND SET UP

SoundTouch™ 30 WiFi Music System TAP command set up

Equipment Required

Hardware

Computer w/serial port
RS232 to TTL converter
Lifestyle® ETAP Cable, P/N 264565
Soundlink® ETAP adapter P/N 347062-0005

Software

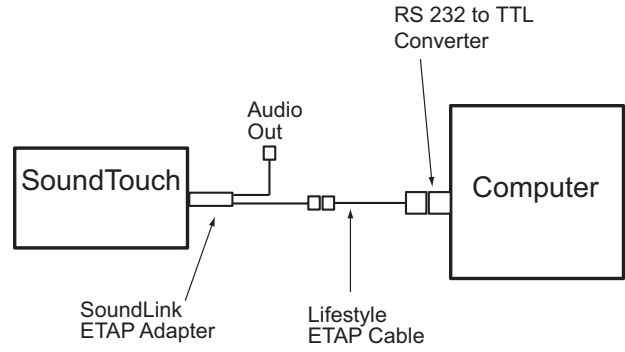
TeraTerm terminal emulator
(Download at <http://sourceforge.jp/projects/ttssh2/>)

Notes: TAP commands can be sent to the SoundTouch 30 system by connecting a PC to the AUX IN connector.

An ETAP cable, ETAP Cable adapter and RS232 to TTL Converter are required for this communication. Both ETAP cables are available from Bose® (see part numbers above). The RS232 to TTL Converter is made by B+B electronics, model number 232LPTTL. It can be purchased online at <http://www.bb-elec.com>.

TAP commands are needed for the following procedures:

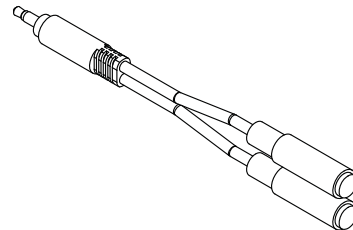
- A. WiFi Link Test
- B. Serial Number Programing
- C. Setting WiFi Country Code



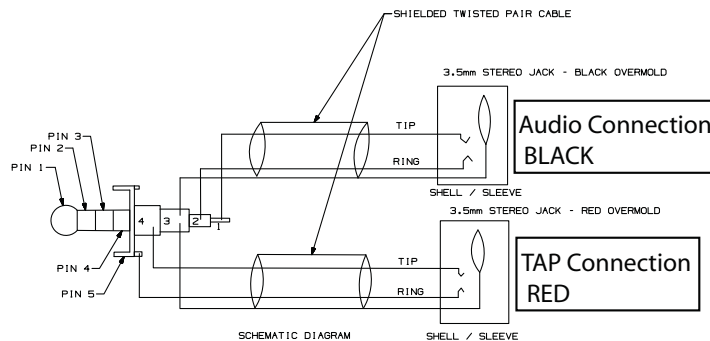
ETAP Block Diagram



**B+B Electronics model 232LPTTL
RS232 to TTL converter**



Drawing of Soundlink ETAP Cable Adapter



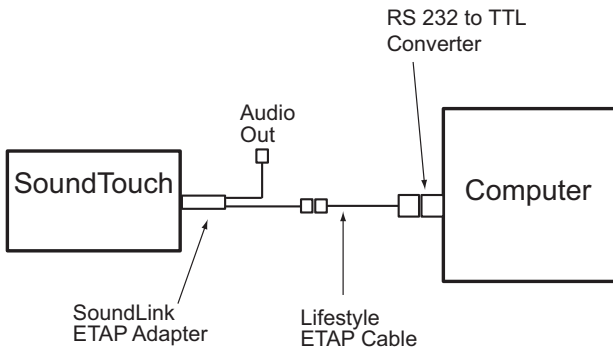
Schematic Drawing of Sounklink ETAP Cable

TAP COMMAND SET UP CONTINUED

1. Tera Term Terminal USB set up

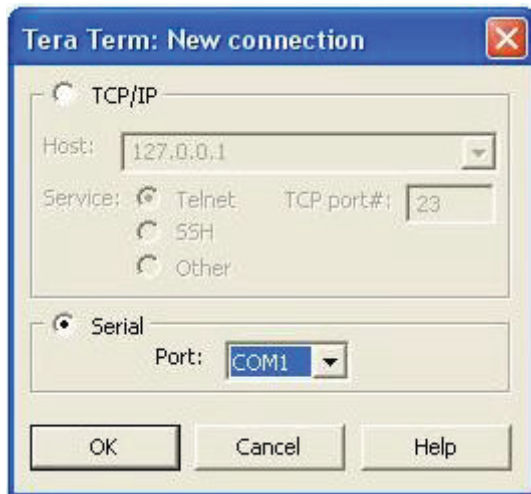
Tera Term is a terminal emulator and can be downloaded at <http://sourceforge.jp/projects/ttssh2/>. It is the interface used to send commands to the SoundTouch™ 30 product.

1.1 Connect the SoundTouch as shown in the diagram below.

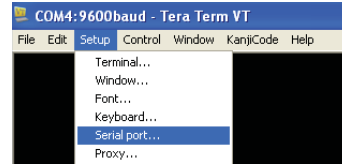


2. Teraterm set up

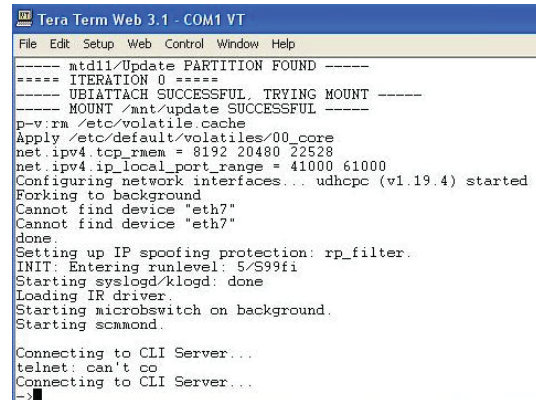
2.1 Launch a Tera Term terminal window and select serial communication and as shown below.



2.2 Select setup, then serial port to set the baud rate to 115,200 data to 8 bit, parity to none, stop to 1 bit and flow control to none.



2.3 Connect power to the SoundTouch 30. The product will boot, and the Tera Term window will display the boot information.



WI-FI TEST PROCEDURE

1. Wi-Fi Functional Test Set Up

This test uses TAP commands to connect the product to a Wi-Fi network and stream audio from a Bose URL. The Bose® SoundTouch™ application can be used in place of this test.

Note: Do not download the audio file from the test URL.

Determine the security type for your router and select the appropriate TAP command for Connecting to a Wi-Fi Router. (WEP, WPA, or no security)

Refer to pages 28-29, TAP Command Setup

2. Connecting to a Wi-Fi Router

2.1 Enter the following TAP command for your router security type setting. Do not enter parentheses.

2.1.1 WEP Security Type

airplay wep profile (SSID) (Password)

2.1.2 WPA Security Type

airplay wpa profile (SSID) (tkip or aes) (Password)

2.1.3 No Security

airplay Wi-Fi profile (SSID)

2.2 Wait for the Wi-Fi indicator on the

product's display to turn solid white. This may take up to a minute. If the indicator does not turn white, enter the TAP command again.

3. Testing the Wi-Fi Module.

3.1 Enter the following TAP commands.

```
sys configuration DemoAudioURL http://worldwide.bose.com/downloads/assets/audio/take5.mp3
```

```
sys configuration DemoNetworkEnabled true
```

```
demo enter
```

3.4 The song "Take 5" should play. Listen for clean undistorted audio.

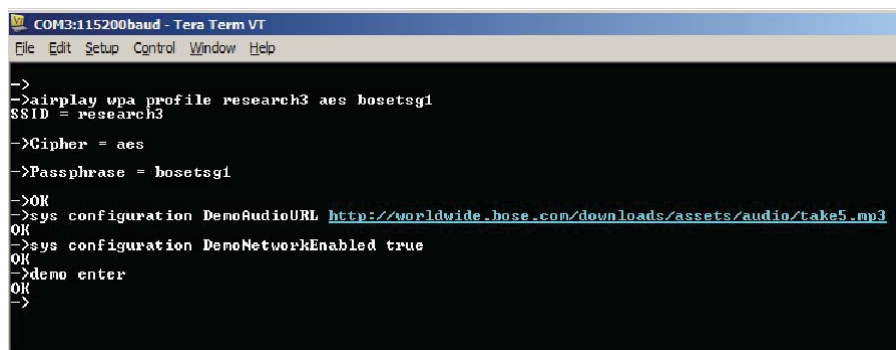
3.5 Enter the following TAP command to exit the Wi-Fi test.

```
demo exit
```

Note: A Tera-Term macro that includes these TAP commands is available for download on the product's repair information page. Place the macro file in the same folder as your Tera-Term program. Open Tera-Term, select Control, Macro, wifi_test.ttl. Once the macro runs, follow the prompts.

4. Factory Reset.

4.1 Factory default the system by sending the "sys factorydefault" command or press "volume -" and "preset 1".



```
COM3:115200baud - Tera Term VT
File Edit Setup Control Window Help
->
->airplay wpa profile research3 aes bosetsgi
SSID = research3
->Cipher = aes
->Passphrase = bosetsgi
->OK
->sys configuration DemoAudioURL http://worldwide.bose.com/downloads/assets/audio/take5.mp3
OK
->sys configuration DemoNetworkEnabled true
OK
->demo enter
OK
->
```

TAP Response

FUNCTIONAL TEST PROCEDURES

SoundTouch™ 30 WiFi Music System Miscellaneous Tests

1. IR Remote Test

- 1.1 Confirm power is applied.
- 1.2 Press each button on the remote control confirming the display reacts to each button press.

2. Keypad Button Test

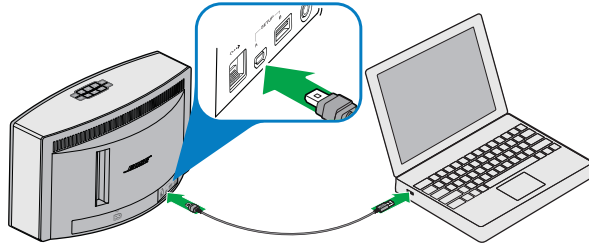
- 2.1 Confirm power is applied to the SoundTouch 30.
- 2.2 Press each button the SoundTouch 30 keypad confirming the display reacts to each button press.

3. USB Port Functional Test

- 3.1 Connect the SoundTouch 30 to a computer as shown in the TAP command set up documented on pages 23 and 24.
- 3.2 Type the command "local_services on" and <enter>. Then press CTRL-C on the keyboard. Then send the command "e" and <enter>. A command line mojo login: should be displayed on the computer.
- 3.3 Type the command root and <enter>. This will cause the command line to change to root@mojo:root#.
- 3.4 Connect a USB thumb drive into the USB port located on the back of the product.
- 3.5 Type the command "lsusb".
- 3.6 Verify the USB memory stick lights up and the name of the USB memory stick is visible.
- 3.7 Send the command "rm /mnt/nv/local_services" and <enter>.
- 3.8 Send the command "exit" and <enter>. This will return to the TAP interface (CLI) and a TAP command line "->" should be shown.

4. Micro USB Port Functional Test

- 4.1 Using a micro USB to standard USB cable, insert a micro USB end of the cable into the SoundTouch connector labeled SETUP A (micro USB). Plug the other end of the cable into a USB port on the computer. Ensure that cable is properly seated.



- 4.2 Open your device manager and look under Network Adapters. You should see the SoundTouch 20 as an adapter. Directions: On your computer, click on Start and navigate to Run. In the window that opens, enter "mmc devmgmt.msc". The device manager will open. In the device manager, expand the network adapters, you should see the SountTouch 30 as an adapter.

5. Ethernet Connector Functional Test

- 5.1 Insert an Ethernet cable into the Ethernet connector on the SoundTouch system. Connect the other end of the cable to the router.
- 5.2 The LED lights on the Ethernet connector from the SoundTouch should light up yellow and green after a few seconds indicating that this connector is functioning.

SERIAL NUMBER AND COUNTRY CODE PROGRAMING

Perform both of these procedures any time the Wi-Fi Module is replaced.

Download two macros from the Sound-Touch™ product's repair information page located on <http://serviceops.bose.com>. Place these macros in the Tera Term program folder.

```
set_serial_number.ttl  
set_country_code.ttl
```

1. Setting the Serial Number

1.1 Connect the SoundTouch to a computer as shown in the TAP command set up procedure on pages 24 and 25.

1.2 Within Tera Term, select Control then Macro and Select the file - "set_serial_number.ttl"

1.3 Follow the prompts.

Note: The serial number can be read by pressing the Volume - button and the number 5 at the same time for 5 seconds for system information. Use the Volume - and + button to toggle through system information.

2. Setting the Country Code

2.1 Connect the SoundTouch Portable to a computer as shown in the TAP command set up procedure on pages 30 and 31.

2.2 Within Tera Term, select Control then Macro and Select the file - "set_country_code.ttl"

2.4 Follow the prompts.

Note: Selecting us sets the Wi-Fi module to the US standard channels 1-11. Selecting eu sets the Wi-Fi module to EU standard channels 1-13

3. Reading the Country Code.

3.1 Type the command "local_services on" and <enter>. Then press CTRL-C on the keyboard. Then type "e" and <enter>. The command line mojo_login: should be displayed on the computer.

3.2 Type the command "root" and <enter>. The command line should be root@mojo:root#.

3.3 Enter "cat /var/tmp/mfgdata.xml". The country code is displayed in the first line of the response.

3.4 Return to CLI prompt by entering the command "rm /mnt/nv/local_services" and <enter>.

3.5 Enter the command "exit" and <enter>. This will return to the TAP interface (CLI) and a TAP command line "->" should be shown.

TAP COMMANDS

Helpful TAP Commands (see prior test procedures for detailed instructions)

1. Connect to Router

1.1 No security

“airplay wifi profile [network_name]” connects to a network w/ no security

1.2 WPA security

“airplay wpa profile [network_name] [security] [passphrase]” for WPA where security is TKIP or AES

1.3 WEP security

“airplay wep profile [network_name] [key]” for WEP security

2. Play Song from Demo URL

2.1 View Current system configuration

“getpdo CurrentSystemConfiguration” will print out the current values

2.2 Enter location of demo URL

“sys configuration DemoAudioURL <http://worldwide.bose.com/downloads/assets/audio/take5.mp3>”

2.3 Enable Demo

“sys configuration DemoNetworkEnabled true”

2.4 Enter Demo mode

“demo enter”

2.5 Exit Demo Mode

“demo exit” or “sys reboot”

3. Enter Manufacturing mode

3.1 While unit is booting, hold shift and press “U” repeatedly until “U-Boot#” prompt is displayed.

3.2 At the U-Boot# prompt, enter TAP command “setenv variant_mode mfg”

3.3 Enter TAP command “boot” to reboot unit into manufacturing mode.

4. Set Country Code

The Wi-Fi module can be set to EU or US standard, which determines which Wi-Fi channels are used. All countries outside the US are set to the EU Code. EU ch 1-13, US ch 1-11.

4.1 Enter Manufacturing Mode (Procedure 3)

4.2 At the “->” prompt, enter TAP command “d dm870 cc (EU or US).”

4.3 Enter TAP command “d reset” to reboot into normal mode.

5. Check Country Code

5.1 Type the command “local_services on” and <enter>. Then press CTRL-C on the keyboard. Then type “e” and <enter>. The command line mojo login: should be displayed on the computer.

5.2 Enter TAP command “root” and <enter>. The command line should be root@mojo:root#.

5.3 Enter “cat /var/tmp/mfgdata.xml” without the quotes. The country code is displayed in the first line of the response.

5.4 Return to CLI prompt by entering the command “rm /mnt/nv/local_services” and <enter>.

5.5 Enter the command “exit” and <enter>. This will return to the TAP interface (CLI) and a TAP command line “->” should be shown.

6. Set Serial Number

6.1 Enter Manufacturing Mode (Procedure 3)

6.2 At the “->” prompt, enter TAP command “d serial 1 XXXXXXXXXXXXXXXXXXXX”. Where X equals a serial number digit.

6.3 Enter TAP command “d reset” to reboot into normal mode.

TAP COMMANDS CONTINUED

7. Software Version

7.1 "sys ver"

The unit will reply with something similar to the following, significant digits are bold:
BoseApp version: **2.1.12**.12569.366803
epdbuild.rel_2.x.hepdswbld05.2013-09-12T18:23:09

8. Display Test (OLED)

8.1 Enter TAP command 'local_services on'

8.2 Press Control C and then type 'e' and then enter.

8.3 At the mojo login, enter TAP command 'root'.

8.4 Enter TAP command 'cd /opt/Bose'

8.5 At the root@Taigan:Bose prompt, enter the following TAP commands to display different sections of the display.

```
cat oled_pattern_left_bar.raw > /dev/fb
```

```
cat oled_pattern_center_bar.raw > /dev/fb
```

```
cat oled_pattern_right_bar.raw > /dev/fb
```

```
cat oled_pattern_cols.raw > /dev/fb
```

```
cat oled_pattern_rows.raw > /dev/fb
```

```
cat oled_pattern_outline.raw > /dev/fb
```

8.6 To return unit to normal mode, Enter TAP command 'rm /mnt/nv/local_services'
Enter TAP command 'sys reboot'

9. Factory Default

9.1 Enter TAP command 'sys factorydefault'

BACK DOOR KEY PRESSES

1. System Information

1.1 Press and hold the Volume (-) minus and Preset 5 to bring up System Information. Use the Volume (-) minus and plus to toggle through the items.

1. MAC address
 - 1.1 Ethernet MAC address
 - 1.2 Wi-Fi MAC address
2. Network Information
 - 2.1 Connection Type
 - 2.2 IP Address
 - 2.3 SSID
 - 2.4 RSSI (Received Signal Strength), rates Wi-Fi signal received strength
3. SoundTouch™ Information
 - 3.1 Component ID
 - 3.2 System Serial number
 - 3.3 Component ID (Wi-Fi)
 - 3.4 Wi-Fi module Serial Number
 - 3.5 DSP Firmware
4. SoundTouch Information
 - 4.1 Wi-Fi module Serial Number
 - 4.2 Wi-Fi module Firmware
5. SoundTouch Controller Information
 - 5.1 Connected

2. Factory Default

2. Press and hold the Volume (-) minus and Preset 1. The system will return to factory default settings and reboot.

3. Software Update

3.1 Press and hold the Volume (-) minus and Preset 4 to initiate a software update.

3.1.1 The unit will download software from the update over Wi-Fi.

3.1.2 While applying power and holding the Volume minus and Preset 4 button, the unit will load software from a thumbdrive inserted in its USB port.

4. Alternate Setup (connect unit to Wi-Fi network)

4.1 Press and hold the Volume (-) minus and Preset 2 to initiate alternate setup mode.

4.2 Connect a smartphone to the unit's Bose® Soundtouch Wi-Fi network.

4.3 The units Wi-Fi setup page IP address will be shown on the unit's display. Enter the IP address into smart phone browser and follow the directions on the page.

5. Disable/Enable Networking

5.1 Press and hold the Volume (-) minus and Preset 3 to enable or disable networking.

HI-POT TEST

SoundTouch™ 30 WiFi Music System HI-POT test

1. Hi-Pot Test

THIS IS A MANDATORY TEST

CAUTION - All units that are disassembled as part of a repair **MUST** be Hi-Pot tested before being returned to the customer.

This test applies a high voltage to the AC line cord and measures the current leakage to the chassis and/or other metal parts on the outside of the unit to check for potential shock hazards.

If the unit fails Hi-Pot test, it must be returned to the technician for troubleshooting and repair of the problem, after which it must be Hi-Pot tested again to ensure that it now passes the test.

Hi-Pot Tester Settings:

Type of product: 120 VAC 2-wire Class II
Test Voltage: 1500 VAC
Trip Current Limits: 2mA min, 6mA max
Ramp: 1 sec
Dwell: 2 sec

Type of product: 220 VAC 2-wire Class II
Test Voltage: 2500 VAC
Trip Current Limits: 2mA min, 6mA max
Ramp: 1 sec
Dwell: 2 sec

2. Hi-Pot Test Procedure

2.1 Connect the positive side (hot) of the Hi-Pot tester to both terminals of the AC mains input.

2.2 Connect the return of the Hi-Pot tester to all connections on the 3.5mm audio jack, ground shell on either USB connector and all points on the Ethernet connector.

2.3 Connect the continuity check terminal of the Hi-Pot tester to the shell of the USB. (all grounds are connected to the same point internal to the product, so only a single connection point is required).

This test must be performed only after the system has been completely assembled. Failure of this test indicates a faulty transformer, defective or incorrectly dressed primary wiring, improperly attached leads, surface contamination of either the power supply board or the I/O connector board, or incorrectly adjusted trip point on tester.

SERVICE MANUAL REVISION HISTORY

Date	Revision Level	Description of Change	Change Driven By	Pages Affected
10/2013	00	Document released at revision 00	Service Manual release	All
12/2013	01	Drawing changed on page 8 Foot part number change from 301750-002 to 629338-0010	New Drawing created Cost Reduction	8 to 9 8
1/20/2014	02	Added connector part numbers to the connector board part list	Connector board missing connector part numbers	21
2/18/2014		Added new Wi-Fi module 625125-041S	New Software	8
3/21/2014	03	Foot part number changed from 627991-0010 to 629338-0010.	Vender changed part number	8
8/1/2014		Grille Part number change to 355908-0030		8
8/20/2014		Grill part number correction – change to 357322-0030	Part number correction	8
9/10/2014	04	Woofers part number change from 307140-001 to 324318-001S	Part number correction	8
10/2/2014	05	Black/Grey parts added	New color product available	7, 8

SPECIFICATIONS AND FEATURES SUBJECT TO CHANGE WITHOUT NOTICE

BOSE[®]
Better sound through research[®]

Bose Corporation
The Mountain
Framingham Massachusetts USA 01701

P/N: 354441-SM Rev. 05 10/2013 (H)
<http://serviceops.bose.com>