

**Lifestyle<sup>®</sup> SoundTouch<sup>®</sup> 525 SoundTouch<sup>®</sup> home entertainment system  
System Level Packaging**



# Contents


<b>Product Overview</b> .....	<b>2</b>
<b>Safety Information</b> .....	<b>3</b>
<b>Electrostatic Discharge Sensitive (ESDS) Device Handling</b> .....	<b>3</b>
<b>Part List Notes</b> .....	<b>4</b>
<b>Main Packaging List</b> .....	<b>5</b>
Figure 1. Main Packaging View .....	<b>5</b>
<b>Essentials Kit Packaging List</b> .....	<b>6</b>
Figure 2. Essentials Packaging View .....	<b>6</b>
<b>Satellite Packaging List</b> .....	<b>7</b>
<b>Console Packaging List</b> .....	<b>7</b>
Figure 3. Console Packaging .....	<b>7</b>
<b>Revision History</b> .....	<b>8</b>

## Product Overview

The Lifestyle® SoundTouch® 525 home entertainment system includes a control console, Acoustimass® module, 5 Direct/Reflecting® series II speakers, SoundTouch™ wireless adapter and a universal remote control.

The SoundTouch series II wireless adaptor adds Wireless N 5 GHz and Bluetooth connectivity.

## SAFETY INFORMATION

1. Parts that have special safety characteristics are identified by the  symbol on schematics or by special notes on the parts list. Use only replacement parts that have critical characteristics recommended by the manufacturer.
2. Refer to HI-POT testing procedures located in the product's service manual.

### ELECTROSTATIC DISCHARGE SENSITIVE (ESDS) DEVICE HANDLING


This unit contains ESDS devices. We recommend the following precautions when repairing, replacing or transporting ESDS devices:

- Perform work at an electrically grounded work station.
- Wear wrist straps that connect to the station or heel straps that connect to conductive floor mats.
- Avoid touching the leads or contacts of ESDS devices or PC boards even if properly grounded. Handle boards by the edges only.
- Transport or store ESDS devices in ESD protective bags, bins, or totes. Do not insert unprotected devices into materials such as plastic, polystyrene foam, clear plastic bags, bubble wrap or plastic trays.


**CAUTION: THE BOSE® LIFESTYLE® SOUNDTOUCH® 525 HOME THEATER SYSTEM, CONTAINS NO USER SERVICEABLE PARTS. TO PREVENT WARRANTY INFRACTIONS, REFER SERVICING TO WARRANTY SERVICE STATIONS OR FACTORY SERVICE.**

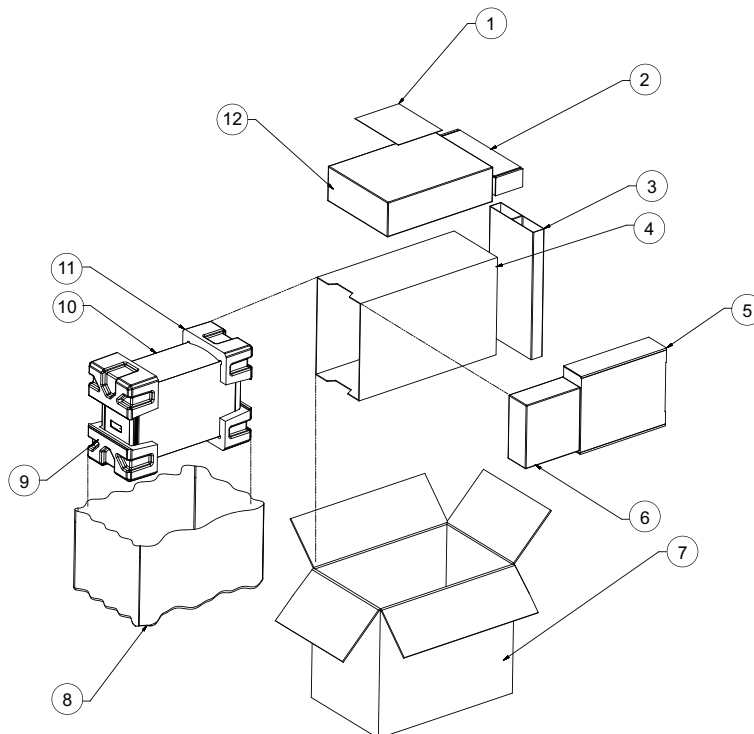
PROPRIETARY INFORMATION  
THIS DOCUMENT CONTAINS PROPRIETARY INFORMATION OF BOSE CORPORATION WHICH IS BEING FURNISHED ONLY FOR THE PURPOSE OF SERVICING THE IDENTIFIED BOSE PRODUCT BY AN AUTHORIZED SERVICE CENTER, AND SHALL NOT BE REPRODUCED OR USED FOR ANY OTHER PURPOSE.

## Part List Notes

1. The individual parts located on the PCBs are listed in the Electrical Part List.
2. This part is referenced for informational purposes only. It is not stocked as a repair part. Refer to the next higher assembly for a replacement part.
3.  This part is critical for safety purposes. Failure to use a substitute replacement with the same safety characteristics as the recommended replacement part might create shock, fire and/or other hazards.


## Main Packaging List

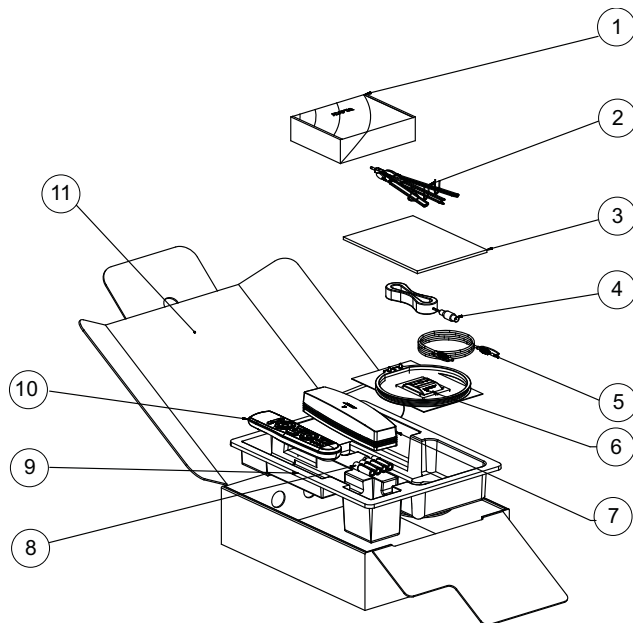
Item Number	Description	Material Number	Qty	Variant	Note
1	COMMITMENT LETTER	251001	1		
2	LINE CORD KIT - LINE CORD, 120V, NON-POL, DET ,BLK, 1500 - LINE CORD,220V,EUR,DET,BLK,1500 - LINE CORD,230V,UKS,DET,BLK,1500 - LINE CORD,240V,AUS,DET,BLK,1500 - LINE CORD, 230V,KOREA,BLK,1500mm - LINE CORD,110V,TAIWAN,BSMI,DET,1525mm - LINE CORD,100V,JPN,DET,BLK,1500 - CARTON,D-C,CORR,16.13X5.13X3,275,B	- 279101-1310 280135-1310 280138-1310 284243-1310 311668-1310 329792-1310 280136-1310 321181-0010	1 2 2 2 2 2 2 1	US EU UK AUS KOREA TAIWAN JP	3  
3	PACKING, INSERT, DC, 40.13X22.00, LS 535	714710-0010	1		
4	CARTON, HSC-FOL, D-C, CORR	325008-0010	1		
5	ESSENTIAL KIT, LS 525/535	-	1		
6	SATPACK, LS525-III, BLK	-	1		
7	CARTON, RSC, 275DW, LS535 ST BK	638311-0030	1		
8	BAG, POLY, HDPE	196638	1		
9	PACKING, FOAM, EPS, BBOX	293513-001	1		
10	BASS BOX, BLACK, DUAL, WWIP BASS BOX, WHITE, DUAL, WWIP BASS BOX, BLACK, 230V, WWIP BASS BOX, WHITE, 230V, WWIP	297330-619S 297330-629S 297330-613S 297330-623S	1	EU/UK EU/UK	
11	PACKING, FOAM, EPS, BB-BTM	295444-001	1		
12	CONSOLE ASSY,V35 H,L,US,SVCE CONSOLE ASSY,V35 H,L,EU,UK,SVCE CONSOLE ASSY,V35 H,L,JP,SVCE CONSOLE ASSY,V35 H,L,APAC,SVCE	722696-111S 722696-211S 722696-311S 722696-511S	1	US EU/UK JP AP	



**Figure 1. Main Packaging View**

## Essentials Kit Packaging List

Item Number	Description	Material Number	Qty	Variant	Note
1	KIT, ADAPTIQ HEADSET	307702-001	1		
2	CABLE ASSY, IR DONGLE, 3 EMITTER	324714-1010	1		
3	LIT KIT, LS-525/535 III - BAG, POLY, 14.38x9.87x2 mil - BUMPER, RECESSED, FOOT - GLOBAL WARRANTY CARD, 1 YR. - DRIVE, FLASH, USB, 4GB - GUIDE, OPER, ST, LS525/535, SIII, AST - GUIDE, OPER, ST, LS525/535, SIII, EUR - GUIDE, OPER, ST, LS525/535, SIII, APAC - GUIDE, OPER, ST, LS525/535, SIII, JPN - CONTACT SHEET, GLOBAL, WHTH	- 103351 142839 324486-0010 353201-0020 744569-0010 744571-0010 744570-0010 744572-0010 744032-0010	1	US EU/UK AP JP	
4	ANTENNA, FM, DIPOLE, W/BALUN	373329-0010	1		
5	CABLE, RCA, 6 FT	185931-101	1		
6	ANTENNA ASSY, AM, CD20	199824-002	1		
7	SDTCH II WIRELESS ADAPTER, CH 1-11 SNTDCH II WIRELESS ADAPTER, JP SDTCH II WIRELESS ADAPTER, CH 1-11, TW SNTDCH II WIRELESS ADAPTER, CH 1-13 SNTDCH II WIRELESS ADAPTER, EU	738854-0110 738854-0130 738854-0140 738854-0100 738854-0180	1	US JP TW AP EU	
8	KIT, SUB-ASSY, BATTERY, AA, 4PK - BATTERY, AA SIZE, SINGLE - BAG, POLY, 3X3.5	- 263269-001 194392	1 4 1		<b>3</b> 
9	PACKING, TRAY, PULP	363690-0010	1		
10	REMOTE, RF, USA/EU REMOTE, RF, AP/JP (all languages)	354079-0050 354079-0060	1	US/EU AP/JP	
11	CARTON, D-C, 12.88X16.00X4.25	320599-0010	1		
-	CABLE, SIGNAL, USB-M/USB-A, M, 6FT, W/FERRITE	629216-0010	1		
-	ANTENNA, DIPOLE, FM, PAL CONN	374402-0010	1	EU	
-	CABLE, FIBER OPTICAL, 3.5mm OD	629769-0010	1	EU	




**Figure 2. Essentials Packaging View**

## Satellite Packaging List

Description	Material Number	Qty	Note
CARTON, DC, 200B, 13.00X16.00X4.00, LS535	638306-0010	1	
SAT ASSY, JCII, BLACK SAT ASSY, JCII, WHITE	638474-0010 638474-0020	4	
SAT ASSY, JCCII, BLACK SAT ASSY, JCCII, WHITE	638475-0010 638475-0020	1	
CABLES, SET, LCR, BLACK CABLES, SET, LCR, WHITE	724669-2010 724669-3010	1	
CABLES, SET, REAR, LR, BLACK CABLES, SET, REAR, LR, WHITE	724670-2010 724670-3010	1	

## Console Packaging List

Item Number	Description	Material Number	Qty	Note
1	GUIDE, SETUP, ST, LS, 525, 535, IV, AST GUIDE, SETUP, ST, LS, 525, 535, IV, APAC GUIDE, SETUP, ST, LS, 525, 535, IV, EUR GUIDE, SETUP, ST, LS, 525, 535, IV, JPN	744574-0010 744576-0010 744575-0010 744577-0010	1	
2	CABLE ASSY, SIGNAL, DIN-9, BLACK, 9144mm	302580-1001	1	
3	CABLE, HDMI, 19POS, 2M, BLACK	326853-0110	1	
4	PWR SUPPLY, EXT, UNVSL, 2.92A, 12V, 35W, BLK	353811-0010	1	3 
5	PACKING, TRAY, PULP, LS-V CONSOLE	319197-0010	1	
6	PACKING, TRAY, PULP, LS-V CONSOLE	319199-0010	1	
2	CARTON, CORR, D-C, 20.25X16X5.88, 200, B	320600-0010	1	

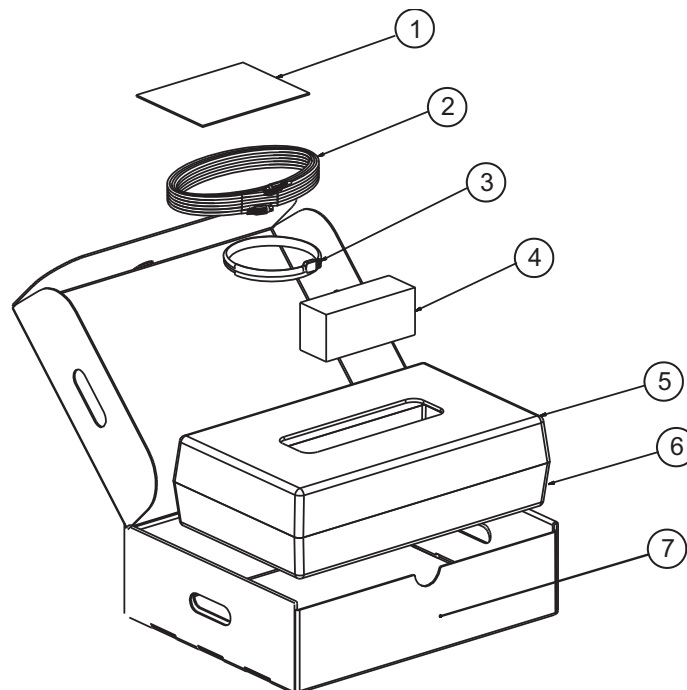


Figure 3. Console Packaging

## Revision History

<b>DATE</b>	<b>REV</b>	<b>ECN</b>	<b>Description</b>
09/2015	00		Initial Release



Specifications and Features Subject to Change Without Notice

---

***BOSE***®  
***Better sound through research***®

Bose Corporation  
The Mountain  
Framingham Massachusetts USA 01701  
P/N 738511-SM REV. 00 08/2015 (H)  
<http://serviceops.bose.com>