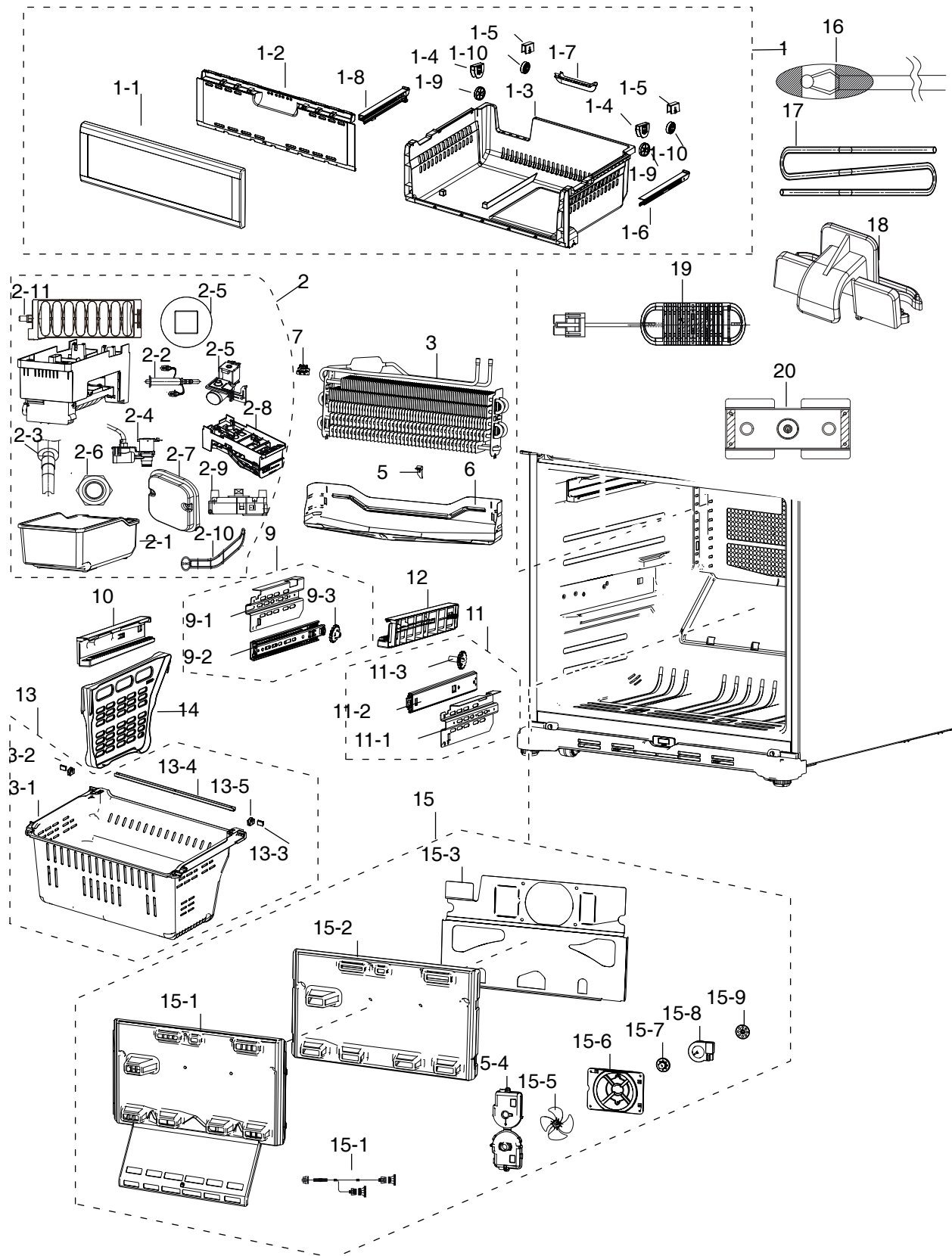


EXPLODED VIEW PART LIST

Freezer



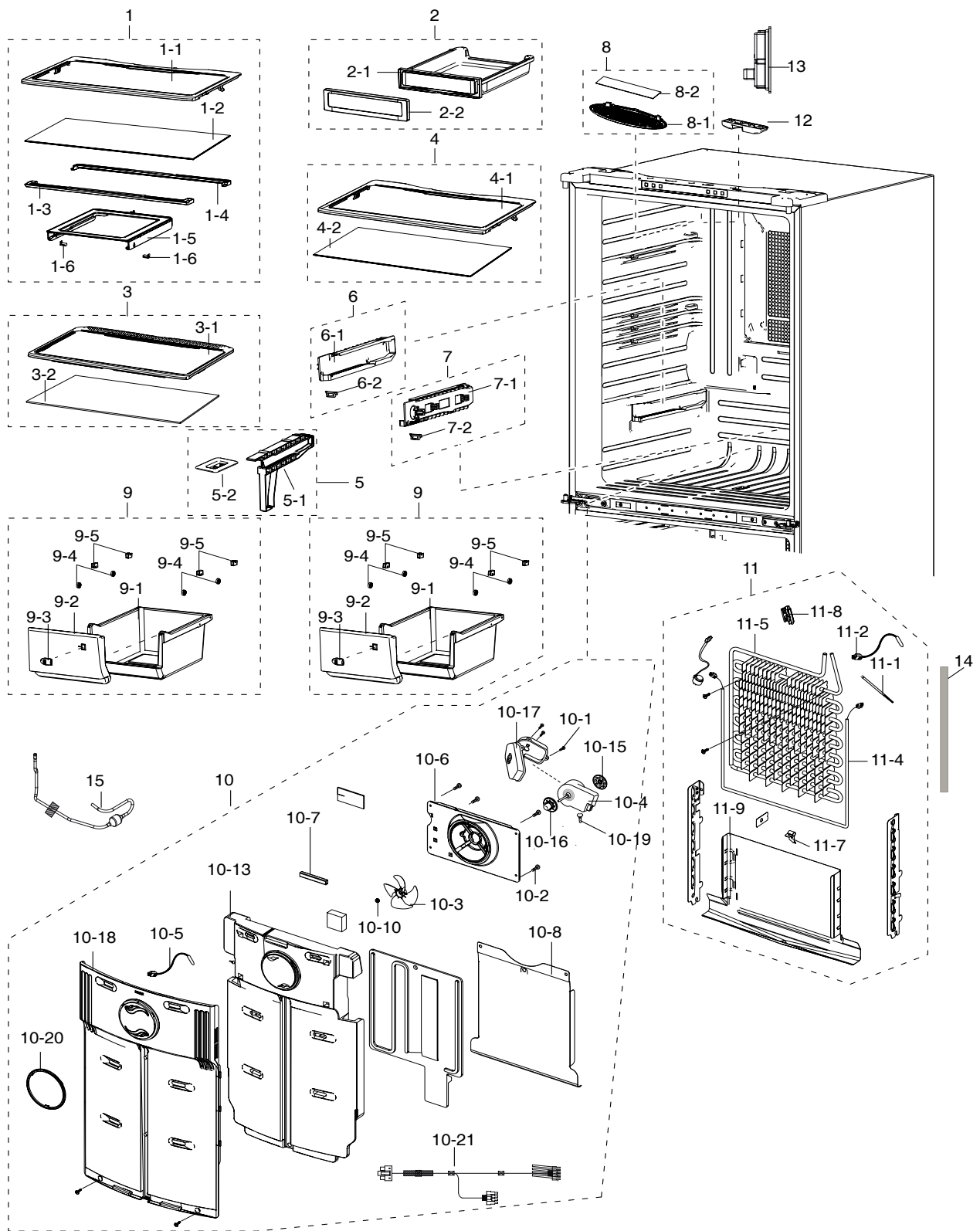
EXPLODED VIEW PART LIST

• Parts List of Freezer

NO	CODE NO	PART NAME	Specification	Quantity	SA/SNA	SVC NO
1	DA97-11593A	ASSY TRAY-FRE UPP	NW2-FDR,19cu.ft	1	SA	M0121
1-1	DA63-04455A	COVER-TRAY FRE UPP A	NW2-PJT,HIPS,-,-,-,	1	SNA	A1279
1-2	DA63-04456A	COVER-TRAY FRE UPP B	NW2-PJT,GPPS,-,-,-,	1	SNA	A1280
1-3	DA63-05360A	TRAY-FRE UPP	NW2-FDR,HIPS,COOL WHITE(SC-	1	SNA	Z1237
1-4	DA61-07409A	FIXER-ROLLER TRAY FRE UPP	NW2,PA66,NTR	2	SNA	0
1-9	DA66-00854A	ROLLER-TRAY FRE UPP	NW2-PJT,SSEC,POM,NTR	2	SNA	0
1-5	DA66-00856A	ROLLER-FRE	NW2,POM,NTR	2	SNA	0
1-10	DA61-07403A	FIXER-ROLLER	NW2,PA66,NATURAL,KN3311	2	SNA	0
1-6	DA61-07470A	GUIDE-TRAY FRE UPP R	NW2,PA+ABS,COOL WHI	1	SNA	0
1-7	DA63-06446A	COVER-ICE	AW2-CD,LDPE,NTR	1	SNA	0
1-8	DA61-07441A	GUIDE-TRAY FRE UPP L	NW2,PA+ABS,COOL WHI	1	SNA	0
2	DA90-04793K	ASSY ICE MAKER	NW2-FDR,AUTO ICE MAKER	1	SNA	A0104
2-1	DA61-07401A	CASE-ICE CUBE	NW2,PP,COOL WHITE	1	SNA	M0358
2-2	DA97-00209H	ASSY PIPE-WATER FRE	ET-PJT,115V	1	SA	0
2-3	DA71-20208A	FIXER-VALVE WATER B	SR-S7180,NY-6,OD6.1,	1	SA	M0278
2-4	DA97-06707D	ASSY VALVE WATER-HOSE	NW2-FDR,NW2-FDR	1	SA	Z1224
2-5	DA62-01477A	VALVE WATER-ONE WAY FITTING	POM+GF25%,bl	1	SA	M0457
2-6	DA74-00070B	VALVE-FITTING NUT	A-TOP,CU,12,C3604 BD-F	1	SA	Z1225
2-7	DA97-11611A	ASSY COVER-PIPE WATER	NW2	1	SA	M0083
2-8	DA97-05037D	ASSY-SUPPORT ICE MAKER	NW2, NW2-FDR	1	SA	Z1219
2-9	DA59-00294B	ICE MAKER-ASS'Y	NTGN,DC 12V,-,-,-,-	1	SC	Z1220
2-10	DA61-00954B	GUIDE-ICE FULL	AW,ABS,-,-,-,NTR,-	1	SA	Z1221
2-11	DA63-06415A	TRAY ICE	NW2,PP,NTR	1	SA	A0120
2-12	DA60-00318A	FITTING-WASHER	NW2-FDR,SILICON,T1,ID14	1	SA	0
3	DA96-00844A	ASSY EVAP-FRE	NW2,115V/240W	1	SA	A0163
4	DA99-01958T	ASSY PACKING-SUB	AW, NW2-FDR	1	SC	M0227
5	DA61-07405A	FIXER-SENSOR EVAP	NW2,PP,NTR	1	SNA	M9009
6	DA61-04462A	PLATE-DRAIN FRE	NW2-PJT,GL-SAZCC,T0.3,-,	1	SNA	M9011
7	DA47-00285P	THERMO BIMETAL-PROTECTOR	NW2(FDR),250V,3	1	SA	0
8	DA62-04183A	SEAL CUTT-FOAM PE	FOAM-PE+AL,GRAY,T1.5,W	1	SA	G0241
9	DA97-12024A	ASSY RAIL-SLIDE LOW L	NW2(19UT)	1	SA	M0300
9-1	DA61-07827A	RAIL-HANGER LOW L	NW2,SCP1,T1.6,COOL WHI	1	SNA	0
9-2	DA61-07853A	RAIL-SLIDE LOW L	NW2(19UT),POM	1	SNA	M0204
9-3	DA66-00857A	GEAR-RAIL L	NW2-PJT,SSEC,POM,NTR	1	SNA	M0468
10	DA61-04508A	SUPPORT-RAIL LOW L	NW2-PJT,ABS,-,-,-,COO	1	SA	Z1235
11	DA97-12026A	ASSY RAIL-SLIDE LOW R	NW2(19UT)	1	SA	M0107
11-1	DA61-07826A	RAIL-HANGER LOW R	NW2,SCP1,T1.6,COOL WHI	1	SNA	0
11-2	DA61-07851A	RAIL-SLIDE LOW R	NW2(19UT),POM	1	SNA	M0301
11-3	DA66-00855A	GEAR-RAIL R	NW2-PJT,SSEC,POM,NTR	1	SNA	M0469
12	DA61-04509A	SUPPORT-RAIL LOW R	NW2-PJT,ABS,-,-,-,COO	1	SA	Z1236
13	DA97-11598A	ASSY TRAY-DRAWER BOX	NW2-FDR,COOL WHITE,	1	SA	M0120
13-1	DA63-05362A	TRAY-DRAWER BOX	NW2-FDR,PP,COOL WHITE(SC	1	SNA	0

EXPLODED VIEW PART LIST

Fridge



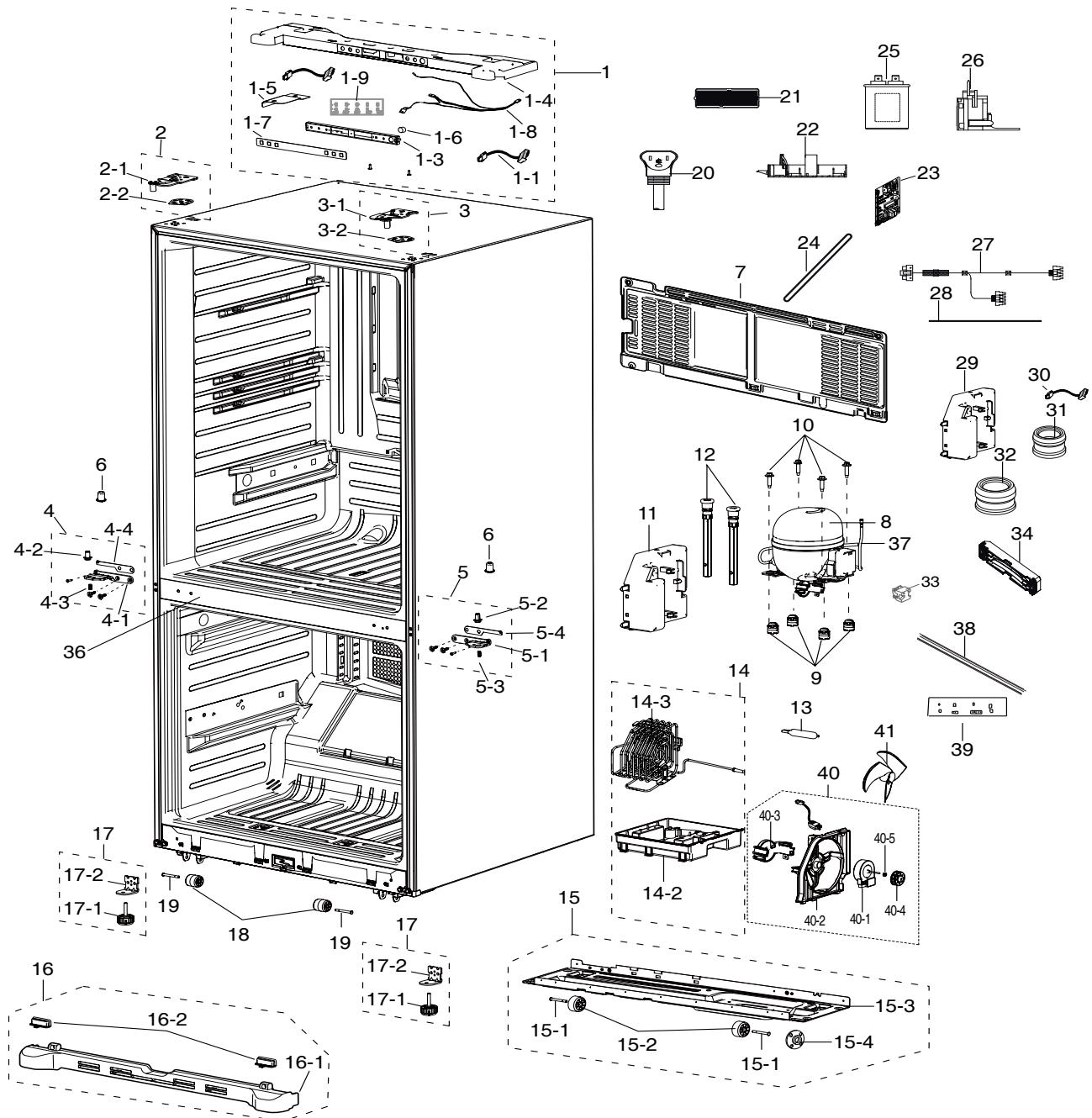
EXPLODED VIEW PART LIST

• Parts List of Fridge

NO	CODE NO	PART NAME	Specification	Quantity	SA/SNA	SVC NO
1	DA97-06685C	ASSY SHELF-REF UPP	NW2-FDR,19cu.ft	1	SA	A1198
1-1	DA64-02644A	TRIM SHELF-REF	NW2,ABS,COOL WHITE,19cu.f	1	SNA	G0411
1-2	DA64-02646A	GLASS-SHELF	NW2,GLASS,19cu.ft	1	SNA	0
1-3	DA61-04511A	SUPPORT-GUIDE RAIL FRONT	NW2,HIPS,-,-,-,	1	SNA	0
1-4	DA61-04510A	SUPPORT-GUIDE RAIL REAR	NW2,HIPS,-,-,-,C	1	SNA	0
1-5	DA61-04503A	GUIDE-RAIL	NW2,HIPS,-,-,-,COOLWHITE,19cu	1	SNA	0
1-6	DA63-00202A	GROMMET-RAIL	PA,NATURAL	2	SNA	0
2	DA97-06677B	ASSY TRAY-CHILLED ROOM	NW2,-,-,-,-,19cu.	1	SA	M0314
2-1	DA63-04463B	TRAY CHIL ROOM	NW2,GPPS,334.5,347.3,NTR,	1	SNA	A0679
2-2	DA63-04465A	COVER-TRAY CHIL ROOM	NW2,HIPS,-,-,-,-,	1	SNA	0
3	DA97-06687C	ASSY SHELF-REF MID	NW2-FDR,19cu.ft	1	SA	A0909
3-1	DA64-02644A	TRIM SHELF-REF	NW2,ABS,COOL WHITE,19cu.f	1	SNA	G0411
3-2	DA64-02646A	GLASS-SHELF	NW2,GLASS,19cu.ft	1	SNA	0
4	DA97-00663C	ASSY COVER-VEG	W2-PJT,ABS+SHELF,GLASS(T4	1	SA	M0004
4-1	DA64-00449B	TRIM-COVER VEG(50)	W2-PJT,ABS,-,T2.5,SC-	1	SNA	0
4-2	DA67-00505L	SHELF GLASS	W2-PJT(50),GLASS,-,W708.5,L2	1	SNA	A0213
5	DA97-07059A	ASSY RAIL VEG-MID	NW2,-,-,-,-,19Cu.ft	1	SA	A0924
5-1	DA61-00761B	RAIL-VEG, MID	W2-PJT,ABS,T2.5,-,-,COOL-W	1	SNA	0
5-2	DA61-04875A	SUPPORT-RAIL VEG	NW2,PP,COOL WHITE	1	SNA	0
6	DA97-11733A	ASSY RAIL-VEG, L	NW2,L341.5,cool white	1	SA	A0916
6-1	DA61-60127E	RAIL-VEG	W2-PJT,ABS,T3.0,-,RIGHT,COOL-WH	1	SNA	0
6-2	DA63-40006A	GROMMET	RAIL,NY-6,-,-,-,-,-,RAIL	1	SNA	0
7-1	DA61-60127E	RAIL-VEG	W2-PJT,ABS,T3.0,-,RIGHT,COOL-WH	1	SNA	0
7-2	DA63-40006A	GROMMET	RAIL,NY-6,-,-,-,-,-,RAIL	1	SNA	0
8	DA97-08606D	ASSY COVER LAMP-REF	NW2,NW2-FDR	1	SA	0
8-1	DA63-05430C	COVER LAMP-REF	NW2,NW2-FDR,PC,NATURAL	1	SNA	M0006
8-2	DA92-00202A	ASSY PCB KIT LED	ASSY PCB KIT LED,NW2 FD	1	SA	G0069
9	DA97-11620B	ASSY CASE VEG	NW2,19cu.ft	2	SA	A0217
9-1	DA61-00759B	CASE-VEG, REF	W2-PJT,HIPS,-,SC-02740R,-,	2	SNA	0
9-2	DA63-04445B	COVER-VEG REF	NW2-PJT,GPPS,350.5,232.6,N	2	SNA	0
9-3	DA64-00656A	KNOB-HUMIDITY	W2-PJT,HIPS,COOL WHITE(SC-	2	SA	M0192
9-4	DA66-00856A	ROLLER-FRE	NW2,POM,NTR	2	SNA	0
9-5	DA61-07403A	FIXER-ROLLER	NW2,PA66,NATURAL,KN3311	2	SNA	0
10	DA97-11823A	ASSY COVER-EVAP REF	NW2-PJT,TWIN COOLING	1	SA	M0080
10-1	6002-000213	SCREW-TAPPING	TH,+,1,M4,L12,ZPC(WHT),SWR	4	SNA	G0412
10-2	6002-000213	SCREW-TAPPING	TH,+,1,M4,L12,ZPC(WHT),SWR	4	SNA	G0412
10-3	DA31-00279A	FAN-AX100W4CC-T1	NW2,SSEC,ABS	1	SA	M0159
10-4	DA31-00146B	MOTOR BLDC	DRCP5030LA,1550,DC12V,230mA,-	1	SA	A0998
10-5	DA32-00024U	SENSOR TEMP	NW2,5V,F-SENSOR,YELLOW,450	1	SA	A1018
10-6	DA61-07439A	CASE-MOTOR REF	NW2,SSEC,PP,NTR	1	SNA	M0144
10-7	DA61-07467A	GUIDE-INS EVAP REF	NW2,ABS,NTR	1	SNA	M0185
10-8	DA61-04701C	PLATE-INS EVAP REF	NW2,AL,T0.3	1	SNA	0

EXPLODED VIEW PART LIST

Cabinet



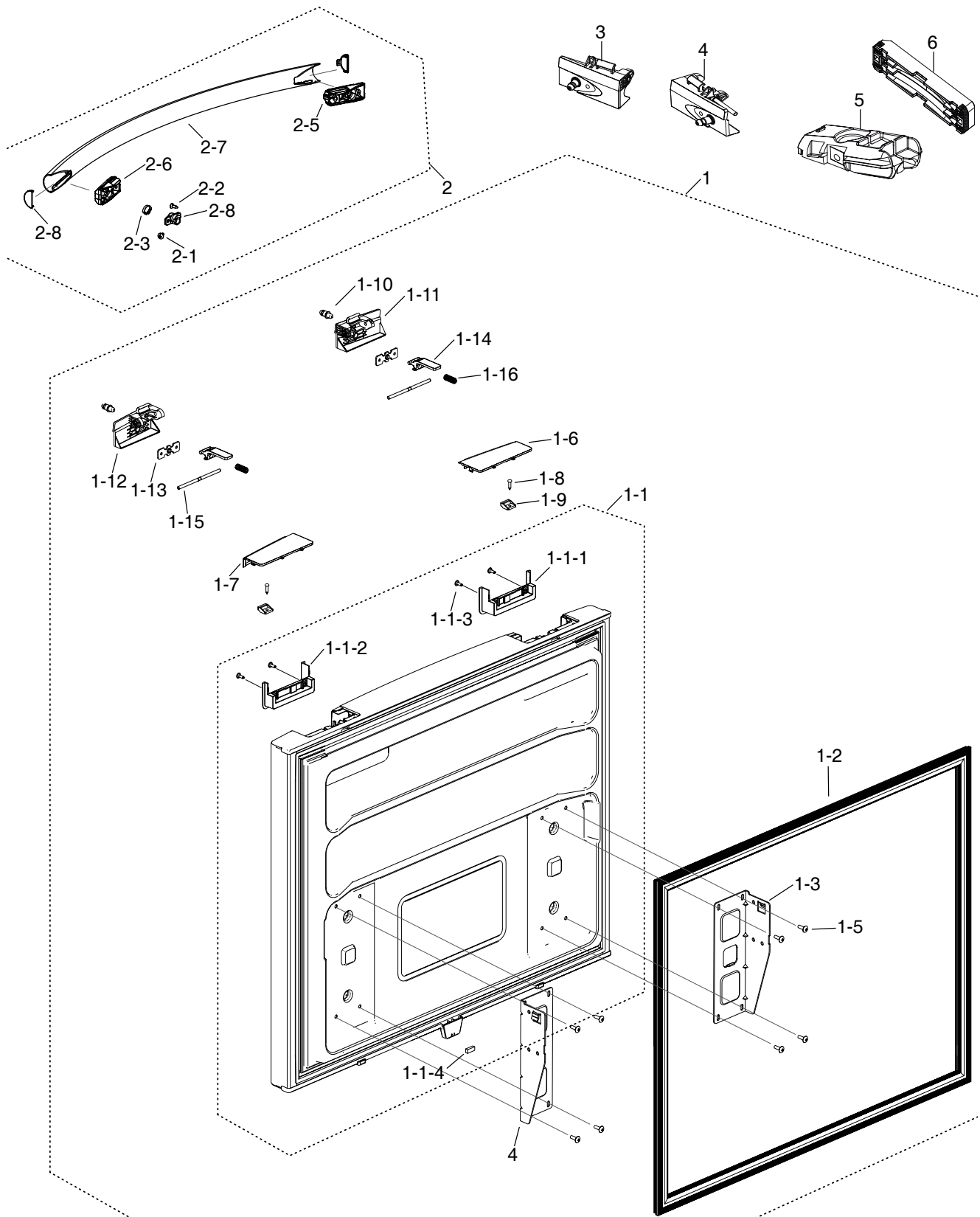
EXPLODED VIEW PART LIST

• Parts List of Cabinet

NO	CODE NO	PART NAME	Specification	Quantity	SA/SNA	SVC NO
1	DA97-11802Q	ASSY TOP TABLE	NW2 FDR,INOX GRAY, BLUE L	1	SNA	A1288
1-1	DA34-00043C	SWITCH REED	13mm,UL1007 AWG 22,100,HOOK	2	SA	G0068
1-3	DA61-05316A	CASE-PBA DISPLAY	NW2-FDR,HIPS,L303.2,NTR	1	SA	A0142
1-4	DA64-02960E	TOP TABLE	NW2-FDR,ABS,INOX GRAY	1	SA	A1109
1-5	DA61-07406A	PLATE-TOP TABLE	NW2-PJT,SSEC,GI-SGCC,0.3	1	SNA	0
1-6	DA64-03901A	BUTTON-CONTROL	NW2-PJT,SSEC,GPPS,NTR	1	SNA	M0410
1-7	DA64-02981C	INLAY-DISPLAY	NW2-FDR,PC,T0.25,CREAMY ST	1	SA	A0566
1-8	DA96-00571A	ASSY W/HARNESS-TOP TABLE	FDR,12VDC,UL+IE	1	SA	0
1-9	DA92-00206C	ASSY LAMP LED	15ea,CEM-1,250*36,WHITE,SM	1	SA	G0069
2	DA97-06715C	ASSY HINGE UPP-L	NW2-FDR,T3.0,BLACK	1	SA	M0100
2-1	DA61-04475B	HINGE-UPP L	NW2-PJT,SHP1,T3.0,-,-,BLACK,	1	SNA	M0286
2-2	DA63-02527C	SHIM-HINGE UPP	NW2-FDR,RD-PVC,T2.0,NATUR	1	SNA	0
3	DA97-06716D	ASSY HINGE UPP-R	NW2-FDR,T3.0,BLACK	1	SA	M0101
3-1	DA61-04476B	HINGE-UPP R	NW2-PJT,SHP1,T3.0,-,-,BLACK,	1	SNA	A0813
3-2	DA63-02527C	SHIM-HINGE UPP	NW2-FDR,RD-PVC,T2.0,NATUR	1	SNA	0
4	DA97-11594C	ASSY HINGE MID-L	NW2-FDR,Ni-Cr Plated,DR	1	SA	M0098
4-1	DA61-07444D	HINGE-MID L	AW2,SCP1,T4.5,Heat Treatment	1	SNA	0
4-2	DA66-00864A	SHAFT HINGE-MID R	AW-PJT,SM10C,OD11.2	1	SNA	0
4-3	6011-001442	BOLT-SOCKET	M8,L13.4,ZPC(BLK),SCM,4mm,FE	1	SNA	0
4-4	DA63-04694D	SHIM-HINGE MID	NW2-FDR,RD-PVC,T1.0,NTR	1	SNA	0
5	DA97-11803C	ASSY HINGE MID-R	NW2-FDR,T4.5,Ni-Cr Plat	1	SA	M0099
5-1	DA61-07449D	HINGE-MID R	AW2,SCP1,Ni-Cr+Cu Plating	1	SNA	0
5-2	DA66-00864A	SHAFT HINGE-MID R	AW-PJT,SM10C,OD11.2	1	SNA	0
5-3	6011-001442	BOLT-SOCKET	M8,L13.4,ZPC(BLK),SCM,4mm,FE	1	SNA	0
5-4	DA63-04694D	SHIM-HINGE MID	NW2-FDR,RD-PVC,T1.0,NTR	1	SNA	0
6	DA63-06419A	GROMMET HINGE-MID,R	NW2-PJT,SSEC,POM,WHI	2	SA	0
7	DA97-07835E	ASSY COVER COMP	NW2-FDR,T0.35,W263.6,L71	1	SA	M0076
8	MKV172CL2J/SJ1	COMPRESSOR	0	1	SA	0
9	DA63-02617A	GROMMET COMP	USP05,EPDM,OD27.0,BLACK	4	SA	Z1112
10	DA60-20008A	BOLT-HEX	SWCH45K,WHITE,ZPC	4	SC	A0564
11	DA63-06428A	COVER PCB-PANEL	NW2,SSEC,GI-SGCC,T0.5	1	SA	G0089
12	DA97-11608B	ASSY CAP-DRAIN	NW2,L224.5	1	SC	M0067
13	DA62-01469H	DRYER	C1220,L114,SINGLE MOUTH	1	SA	A0669
14	DA97-11805B	ASSY TRAY-DRAIN WATER	NW2-FDR,SPIRAL CON	1	SA	A0749
14-2	DA63-04466B	TRAY DRAIN-WATER	NW,PP SCRAP,-,-,-,-,-	1	SA	Z1023
14-3	DA97-07653A	ASSY PIPE-CONDENSER	NW2-FDR	1	SNA	G0270
15	DA97-11728A	ASSY CHASSIS COMP	NW2/FDR,CASTER(TPE)	1	SA	A0526
15-1	DA66-00863A	SHAFT-CASTER	NW2,MSWR10,L47,OD8.2,ZPC2	2	SNA	M0212
15-2	DA61-07434A	CASTER-REAR	NW2,SSEC,PP,35,NTR,35	2	SNA	A0527
15-3	DA64-02694A	CHASSIS COMP	NW2,SBHG1,T1.2,-,-,-,-	1	SNA	A0739
16	DA97-07836L	ASSY COVER LEG-FRONT	NW2 FDR,INOX GRAY,	1	SA	0
16-1	DA63-05106G	COVER LEG-FRONT	NW2,PP,-,-,INOX GRAY	1	SNA	A0807
16-2	DA67-02071G	CAP LEG-FRONT	NW2,PP,-,-,HB,BJ750,INOX GRA	2	SNA	0
17	DA97-11589A	ASSY SUPPORT-FOOT FRONT	NW2-FDR,FOOT FRO	2	SA	M0117

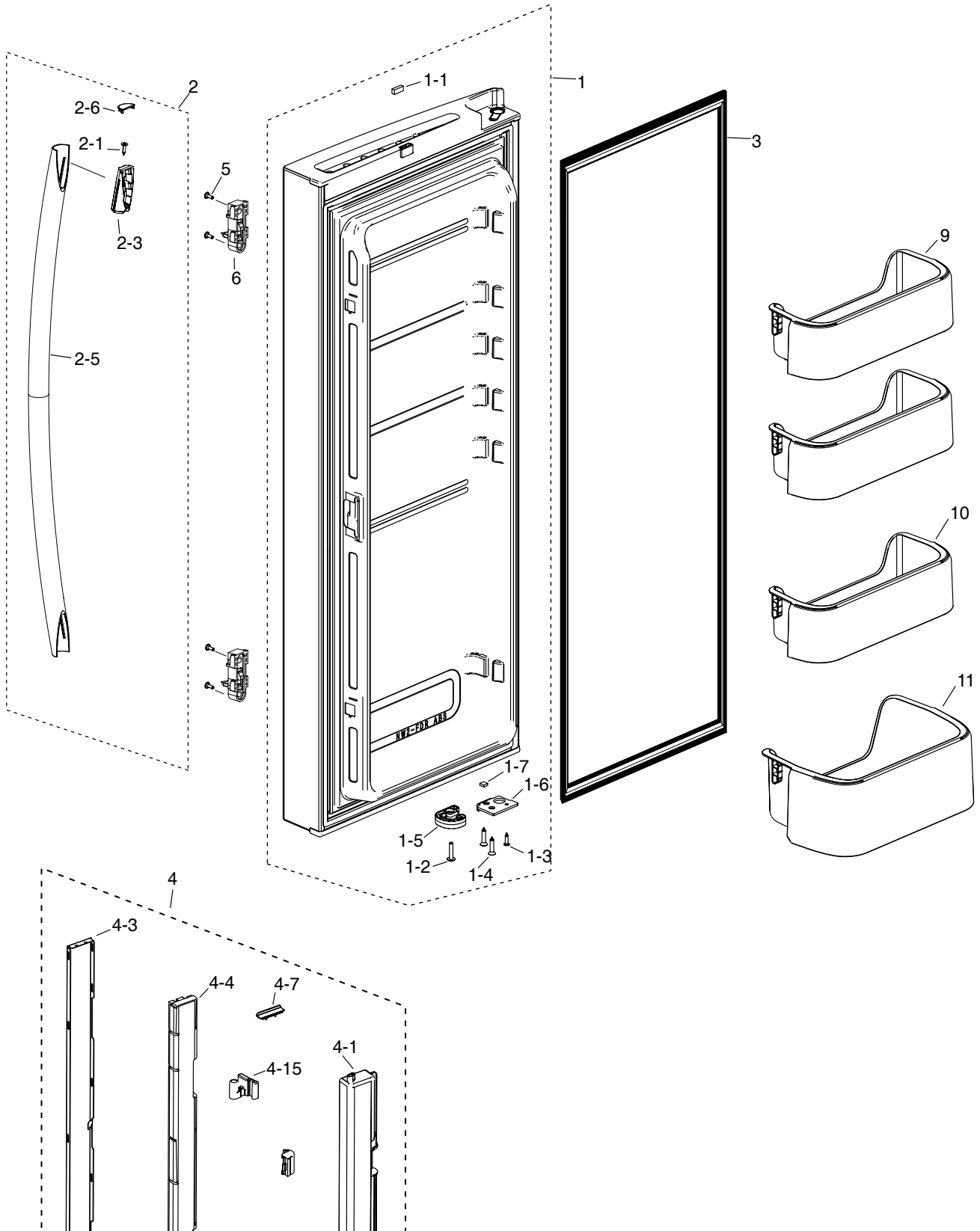
EXPLODED VIEW PART LIST

Freeze Door



EXPLODED VIEW PART LIST

Fridge Door Left



EXPLODED VIEW PART LIST

Fridge Door Right

