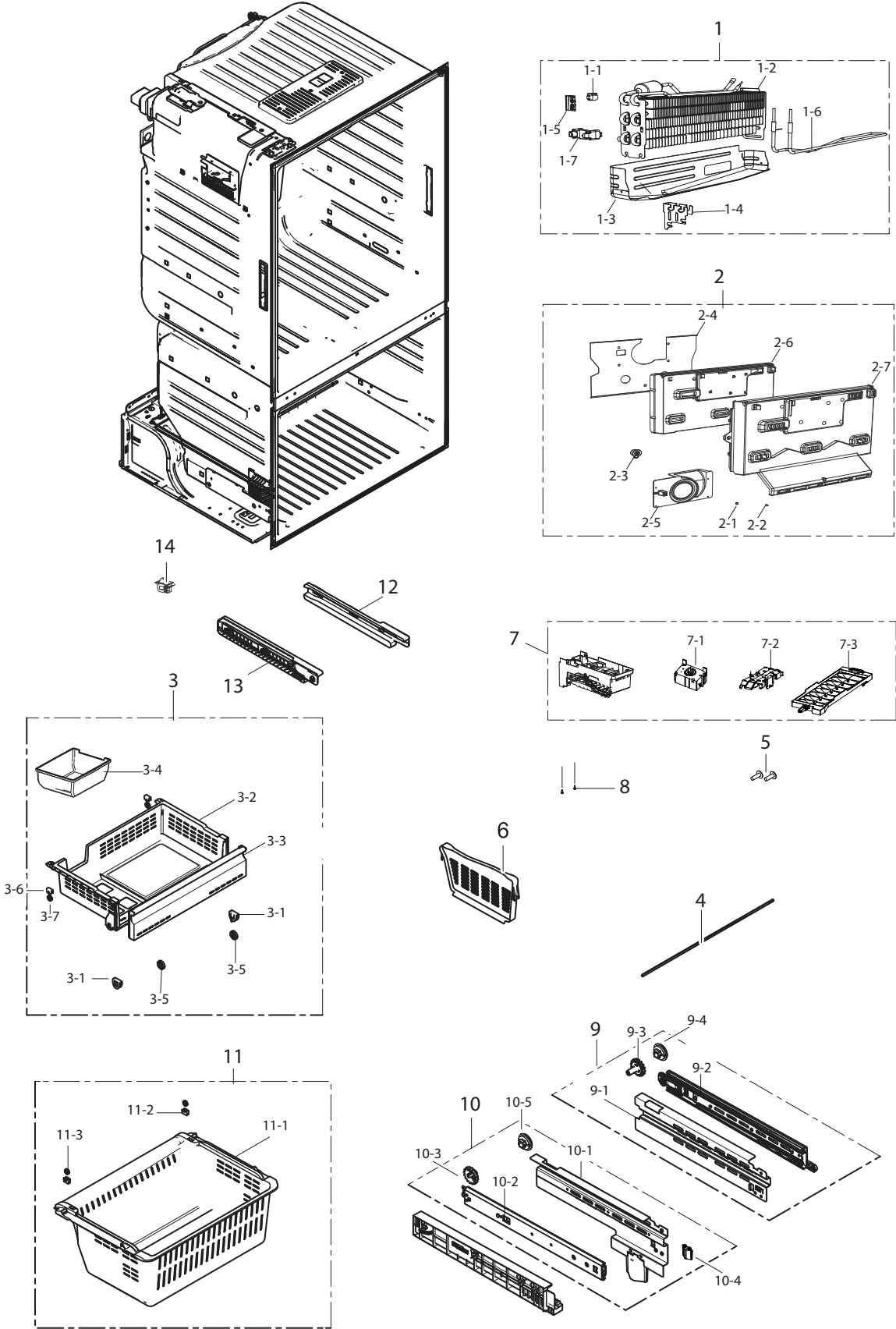


# 1. Freeze

## Exploded View



## EXPLODED VIEW

## 1. FREEZER

No.	MATERIAL CODE	PART NAME	SPECIFICATION	QTY	STATUS
1	DA96-00977B	ASSY EVAP FRE	IBACI,FIN,120V,200W,5RAW E	1	SA
1-1	DA32-10104N	SENSOR TEMP	DKST1329GW,AW3,-50~80°C,5V,-,	1	SA
1-2	DA59-00546A	EVAP FRE	A1070/A1100,5RAW EVAP,BAROSA	1	SNA
1-3	DA61-08578A	PLATE-DRAIN	BAROSA,GL-SAZCC,T0.3	1	SA
1-4	DA61-08634A	FIXER-HEATER FRE	BAROSA,PBT,NATURAL,KP21	1	SA
1-5	DA61-04799A	FIXER-SENSOR EVAP	AW-PJT,PP,NATURAL,BJ75	1	SA
1-6	DA47-00457B	HEATER-METAL SHEATH	AC120V,IBACHI, 72ohm	1	SA
1-7	DA61-08629A	FIXER-SHEATH HEATER	Barosa,Al,T0.8	1	SA
2	DA97-13192A	ASSY COVER EVAP-FRE	IBACI	1	SA
2-1	6002-000213	SCREW-TAPPING	TH,+,1,M4,L12,ZPC(WHT),SWR	3	SNA
2-2	6002-000215	SCREW-TAPPING	TH,+,NO,1,M4,L16,ZPC(WHT),	4	SNA
2-3	DA31-00287B	MOTOR BLDC FAN	ARES2120RA,1870±4%,12V,Ma	1	SA
2-4	DA61-08704A	PLATE-INS EVAP FRE	IBACI,GL-SAZCC,T0.3,N	1	SNA
2-5	DA61-08705A	CASE MOTOR-FRE	IBACI,PP,-,-,BLACK,-,-,	1	SA
2-6	DA62-03864A	INSULATION EVAP-FRE	IBACI,PS FOAM,NTR	1	SNA
2-7	DA63-07246A	COVER EVAP-FRE	IBACI,PP,NTR	1	SNA
3	DA97-13155C	ASSY TRAY-FRE UP	IBACI	1	SA
3-1	DA61-04813A	FIXER-ROLLER TRAY FRE UPP	AW-PJT,PA66,NA	2	SA
3-2	DA63-07256A	TRAY-FRE UPP	IBACI,HIPS,COOL WHITE	1	SNA
3-3	DA63-07257A	COVER-TRAY FRE UPP	IBACI,HIPS,T3.0,W622,	1	SNA
3-4	DA61-05358A	CASE-ICE CUBE	AW-SEM,PP,-,-,COOL WHITE	1	SA
3-5	DA66-00639A	ROLLER-TRAY FRE UPP	AW-PJT(SAMSUNG),POM,	2	SA
3-6	DA61-04804A	ROLLER-FRE	AW-SEM,POM,500P,NATURAL,DA66-	2	SA
3-7	DA61-04805B	FIXER ROLLER	AW1-12,PA66,NATURAL,V2,101F	2	SNA
4	DA66-00437G	SHAFT-GEAR	AW4,SM25C,553.6,BLACK Electro	1	SA
5	6002-001406	SCREW-TAPPING	TH,+,2S,M4,L12,ZPC(WHT),	2	SNA
6	DA61-08719A	GUIDE-DRAWER FRE	IBACI,PP,COOL WHITE	1	SA
7	DA97-07603B	ASSY ICE MAKER	AW4,12V	1	SA
7-1	DA59-00294B	ICE MAKER-ASS'Y	ASSY	1	SNA
7-2	DA63-02183A	COVER-SENSOR	AD,PP,T1.0,-,-,-,WHITE,-	1	SA
7-3	DA63-02284B	TRAY ICE	AD,PP,HB,NATURAL	1	SNA
8	6002-001306	SCREW-TAPPING	TH,+,1,M4,L14,ZPC(WHT),SWR	2	SNA
9	DA97-10595B	ASSY RAIL-SLIDE LOW R	AW-PJT,T2.0,QTY. R	1	SA
9-1	DA61-04816A	HANGER-RAIL LOW R	AW-PJT,EGI-SECC,T1.6,C	1	SNA
9-2	DA61-09088A	RAIL-SLIDE LOW R	AW2-PJT,CR-SPCC,T2.3	1	SA
9-3	DA66-00767A	GEAR-RAIL R	AW-PJT,POM,NTR	1	SA
9-4	DA61-04801A	FIXER-GEAR	AW-PJT,POM,-,NATURAL,DA61-031	1	SA

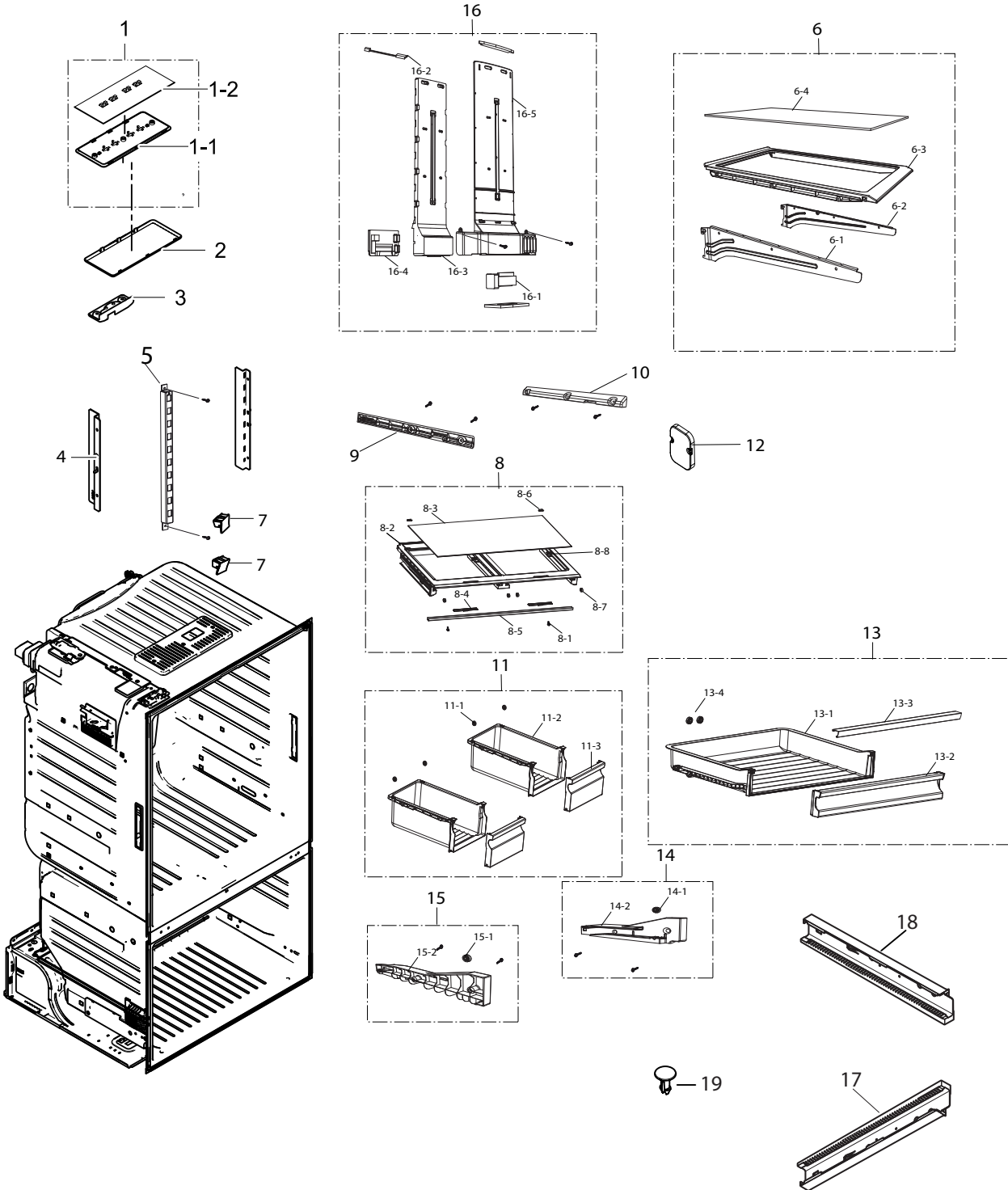
## EXPLODED VIEW

### 1. FREEZER

No.	MATERIAL CODE	PART NAME	SPECIFICATION	QTY	STATUS
10	DA97-10594B	ASSY RAIL-SLIDE LOW L	AW-PJT,T2.0,QTY. R	1	SA
10-1	DA61-04817A	HANGER-RAIL LOW L	AW-PJT,EGI-SECC,T1.6,C	1	SNA
10-2	DA61-09087A	RAIL-SLIDE LOW L	AW2-PJT,CR-SPCC,T2.3	1	SA
10-3	DA66-00771A	GEAR-RAIL L	AW-PJT,POM,NTR	1	SA
10-4	DA34-00049A	SWITCH PRESSURE	AW-PJT,-,COOL WHITE,-,-,	1	SA
10-5	DA61-04801A	FIXER-GEAR	AW-PJT,POM,-,NATURAL,DA61-031	1	SA
11	DA97-13152A	ASSY TRAY-DRAWER FRE	IBACI,COOL WHITE	1	SA
11-1	DA63-07255A	TRAY-DRAWER FRE	IBACI,PP,COOL WHITE	1	SNA
11-2	DA61-04805B	FIXER ROLLER	AW1-12,PA66,NATURAL,V2,101F	2	SNA
11-3	DA61-04804A	ROLLER-FRE	AW-SEM,POM,500P,NATURAL,DA66-	2	SA
12	DA61-07328A	RAIL-FRE UPP L	OPUS1,HIPS,NATURAL,S-834S	1	SA
13	DA61-07329A	RAIL-FRE UPP R	OPUS1,HIPS,NATURAL,S834S1	1	SA
14	DA34-10120E	SWITCH DOOR	AC125V/250V,1.5/0.5,SLIDE	1	SA

# 2. Fridge

## Exploded View



## EXPLODED VIEW

## 2. FRIDGE

No.	MATERIAL CODE	PART NAME	SPECIFICATION	QTY	STATUS
1	DA97-13185A	ASSY CASE LAMP-REF	IBACI	1	SA
1-1	DA61-08749A	CASE LAMP-REF	IBACI,HIPS,-,-,NATURAL,-	1	SA
1-2	DA41-00676K	ASSY LAMP LED	5,CEM-1,240*10,WHITE,SMAW2	1	SA
2	DA63-06921A	COVER LAMP-REF	AW4,GPPS,TP BLUE,147F	1	SC
3	DA61-08751A	GUIDE-FRENCH	IBACI,ABS+PC,COOL WHITE(SC-	1	SA
4	DA61-08724A	ANGLE-SHELF REF SIDE	IBACI,EGI-SECC,T2.0	2	SA
5	DA61-04847B	ANGLE-SHELF REF MID	EGI-SECC,T2.0,COOL W	1	SA
6	DA97-13133A	ASSY SHELF-GLASS REF	IBACI	4	SA
6-1	DA61-08713A	HANGER-SHELF REF L	IBACI,EGI-SECC,T1.6,C	1	SA
6-2	DA61-08714A	HANGER-SHELF REF R	IBACI,EGI-SECC,T1.6,C	1	SA
6-3	DA67-03524A	SHELF-GLASS REF FIX	IBACI,PP,COOL WHITE	1	SA
6-4	DA01-00831A	GLASS-SHELF REF FIX	IBACH,GLASS	4	SNA
7	DA67-03495A	CAP-ANGLE	IBACI,PP,COOL WHITE	2	SA
8	DA97-13029A	ASSY COVER-VEG REF	IBACI,COOL WHITE,ASSY	1	SA
8-1	6002-000213	SCREW-TAPPING	TH,+,1,M4,L12,ZPC(WHT),SWR	2	SNA
8-2	DA63-07248A	COVER-VEG REF	IBACI,HIPS,COOL WHITE(SC-0	1	SNA
8-3	DA01-00846A	GLASS-COVER VEG	IBACI,PRINT,GLASS	1	SNA
8-4	DA66-00718A	LEVER-HUMIDITY	AW3,HIPS,COOL WHITE(SC-03	2	SA
8-5	DA61-08696A	REINF-COVER VEG REF	IBACI-PJT,SHP1,T2.9	1	SNA
8-6	DA61-04809A	FIXER COVER-REF	AW-PJT,HIPS,COOL WHITE,D	2	SA
8-7	DA61-04804A	ROLLER-FRE	AW-SEM,POM,500P,NATURAL,DA66-	4	SA
8-8	DA64-04173B	KNOB-HUMIDITY	IBACI,HIPS,COOL WHITE(SC-0	2	SA
9	DA61-08785A	SUPPORT-COVER VEG REF L	IBACI,HIPS,3,324	1	SA
10	DA61-08786A	SUPPORT-COVER VEG REF R	IBACI,HIPS,COOL	1	SA
11	DA97-13018A	ASSY CASE-VEG REF	IBACI,ASSY	2	SA
11-1	DA61-04804A	ROLLER-FRE	AW-SEM,POM,500P,NATURAL,DA66-	2	SA
11-2	DA61-08717A	CASE-VEG REF	IBACI,GPPS,-,-,Transparen	2	SNA
11-3	DA63-07234A	COVER-CASE VEG REF	IBACI PJT,GPPS,Transp	2	SNA
12	DA97-06990B	ASSY COVER-PIPE WATER REAR	AW-SEM,PP,BLA	1	SA
13	DA97-13125A	ASSY CASE-PANTRY	IBACI	1	SA
13-1	DA61-08706A	CASE-PANTRY	IBACI,HIPS,-,597.2,405,COOL	1	SNA
13-2	DA63-07245A	COVER-PANTRY FRONT	IBACI,GPPS,3.0,HB,TP	1	SNA
13-3	DA64-03862M	TRIM BASKET-FRE	IBACI,HIPS,S834S1,COOL W	1	SA
13-4	DA61-04804A	ROLLER-FRE	AW-SEM,POM,500P,NATURAL,DA66-	2	SA
14	DA97-13128A	ASSY RAIL-PANTRY R	IBACI	1	SA
14-1	DA61-04804A	ROLLER-FRE	AW-SEM,POM,500P,NATURAL,DA66-	1	SA
14-2	DA61-08708A	RAIL-PANTRY R	IBACI,HIPS,COOL WHITE,S834	1	SNA

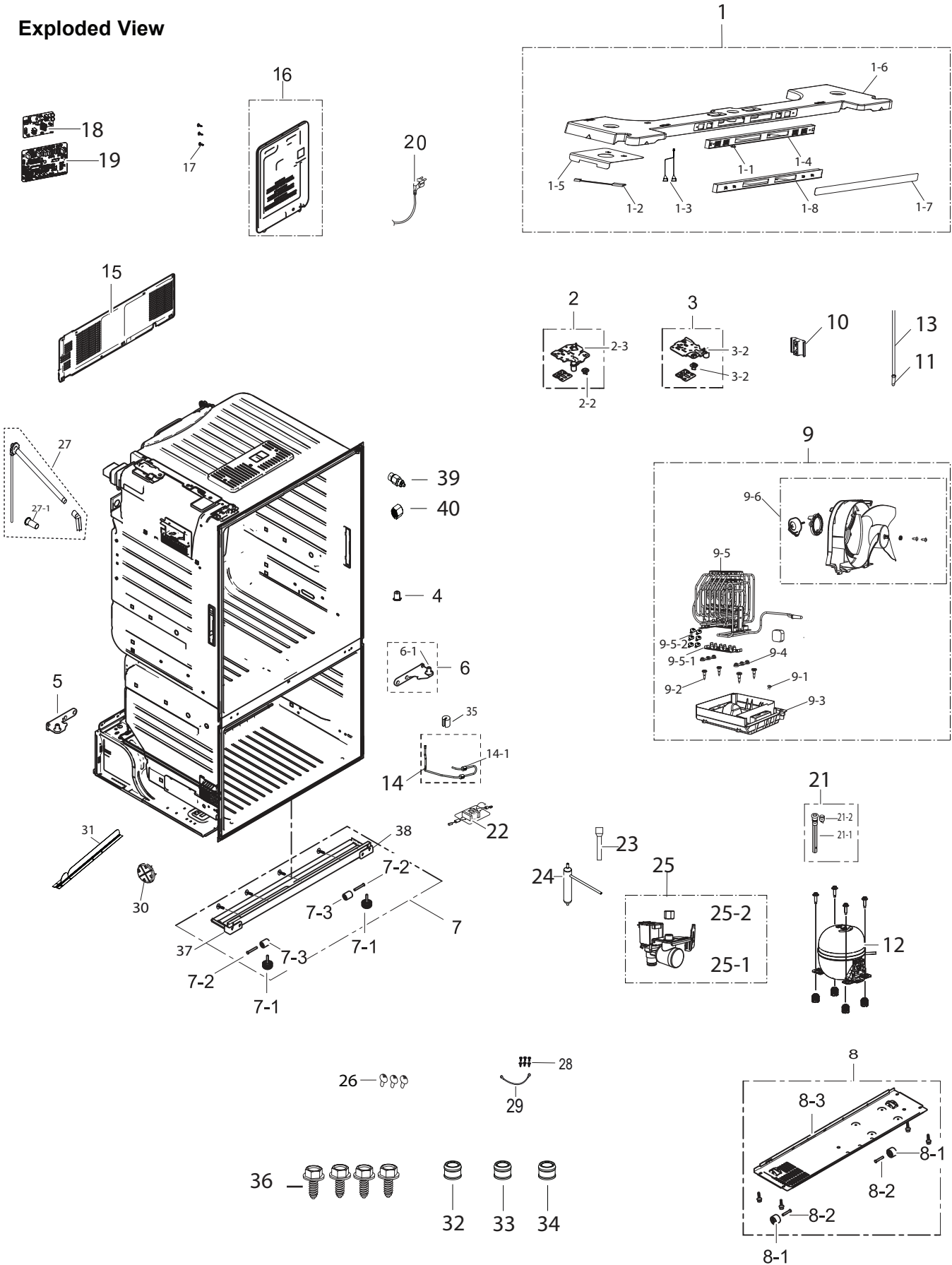
## EXPLODED VIEW

### 2. FRIDGE

No.	MATERIAL CODE	PART NAME	SPECIFICATION	QTY	STATUS
15	DA97-13130A	ASSY RAIL-PANTRY L	IBACI	1	SA
15-1	DA61-04804A	ROLLER-FRE	AW-SEM,POM,500P,NATURAL,DA66-	1	SA
15-2	DA61-08707A	RAIL-PANTRY L	IBACI,HIPS,COOL WHITE,S834	1	SNA
16	DA97-13075A	ASSY COVER MULTI-REF	IBACI	1	SA
16-1	DA31-00043F	MOTOR DC-DAMPER	-,CORE-PJT,Max 60mA,-,-,	1	SA
16-2	DA32-00057C	SENSOR TEMP	PX41C/502AT/DKST1329GW,IBACI	1	SA
16-3	DA62-03836A	INSULATION-MULTI REF A	IBACI,PS FOAM,NTR	1	SNA
16-4	DA62-03837A	INSULATION-MULTI REF B	IBACI,PS FOAM,NTR	1	SNA
16-5	DA63-07239A	COVER-MULTI REF	IBACI,PP,T2.0,COOL WHITE	1	SNA
17	DA63-04604A	COVER-RAIL LOW L	AW-PJT,ABS,COOL WHITE,H	1	SA
18	DA63-04605A	COVER-RAIL LOW R	AW-PJT,ABS,COOL WHITE,H	1	SA
19	DA67-02138A	CAP-HINGE HOLE	AW-PJT,ABS,HG-0760GP,I BL	1	SA

# 3. Cabinet

## Exploded View



## EXPLODED VIEW

## 3. CABINET

No.	MATERIAL CODE	PART NAME	SPECIFICATION	QTY	STATUS
1	DA97-13287A	ASSY TOP TABLE	IBACI,ABS,CREAMY STS	1	SA
1-1	6002-001122	SCREW-TAPPING	FH,+,NO,1,M4,L14,ZPC(WHT),	2	SNA
1-2	DA32-00034B	SENSOR HUMIDITY	DA32-00034B,SHT20P,5V,0	1	SA
1-3	DA34-00043K	SWITCH REED	UL1007 AWG 22,280(680),25045	1	SA
1-4	DA61-08712A	CASE-PBA DISPLAY	IBACI,ABS,-,-,-,NATURAL	1	SA
1-5	DA61-08750A	PLATE-COVER HINGE	IBACI,GI-SGCC,T0.3	1	SA
1-6	DA64-04321A	TOP TABLE	IBACI,ABS,INOX GRAY,HB	1	SA
1-7	DA64-04361A	INLAY CONTROL	IBACI,PC,0.25,299.3,26.8,C	1	SA
1-8	DA92-00427A	ASSY PCB KIT LED	LED DISPLAY,TACT,IBACI,	1	SA
2	DA97-12573B	ASSY HINGE UPP-L	IBACI,T2.9,BLACK	1	SA
2-1	DA61-08309A	HINGE-UPP L	AW4,PO-SPHC,T3.0,ELETRODEPOS	1	SNA
2-2	DA66-00950A	CAM-AUTO CLOSE L	AW4,POM,BLACK	1	SA
3	DA97-12574B	ASSY HINGE UPP-R	IBACI,BLACK	1	SA
3-1	DA61-08310A	HINGE-UPP R	AW4,PO-SPHC,T2.9,ELETRODEPOS	1	SNA
3-2	DA66-00951A	CAM-AUTO CLOSE R	AW4,POM,BLACK	1	SNA
4	DA63-06410A	GROMMET HINGE-MID	AW3,POM,BLACK	2	SA
5	DA61-07771A	HINGE-MIDDLE LEFT	AW,AI,T5.0,ALDC 6,T5.0	1	SA
6	DA97-12659A	ASSY HINGE MID-R	AW3,Ni Cr flating,ALDC	1	SA
6-1	DA66-00688A	SHAFT HINGE-MIDDLE	AW4-4D,SM20C,M8,L13.4	1	SA
7	DA97-13179A	ASSY CABINET-BOTT FRONT	IBACI,SILVER	1	SNA
7-1	DA61-04721D	FOOT-FRONT	AW-PJT,PP,SCREW L28,BLACK,-,-	2	SA
7-2	DA61-01920A	FIXER-CASTER	ZPC2,SWRCH10A,OD8.0,L58	2	SA
7-3	DA61-04702A	CASTER-FRONT	AW-PJT,PP,BLACK,PP(M/B 0103	2	SA
8	DA97-13255A	ASSY CHASSIS COMP	IBACI,T1.2	1	SA
8-1	DA61-04703A	CASTER-REAR	AW-PJT,PP,BLACK,PP M/B(0103-	2	SNA
8-2	DA66-00649B	SHAFT-CASTER	POLARIS,MSWR10,L44,ID8.0,OD	2	SA
8-3	DA64-04331A	CHASSIS COMP	IBACI,GI-SGCC,T1.2,746,241,	1	SNA
9	DA97-13253B	ASSY TRAY DRAIN WATER	IBACI	1	SA
9-1	6002-000213	SCREW-TAPPING	TH,+,1,M4,L12,ZPC(WHT),SWR	1	SNA
9-2	6009-001252	SCREW-SPECIAL	PH,+,-,M4.0,L20(12),ZPC(WH	4	SNA
9-3	DA63-07158A	TRAY DRAIN-WATER	BAROSA,PP,234.5,220.1,N	1	SA
9-4	DA63-40128A	GROMMET-SUB COND	-,NBR,-,-,-,-,-,DARK-	2	SA
9-5	DA97-11700C	ASSY PIPE-CONDENSER	IBACI,Fin Pitch 4.5	1	SA
9-5-1	DA61-07674A	BRACKET CONDENSER-UP	KAYRA,CR-SCP1,-,T1.	4	SA
9-5-2	6002-000239	SCREW-TAPPING	TH,+,NO,2S,M4,L8,ZPC(WHT),	6	SNA
9-6	DA97-15765D	ASSY SUPPORT-CIRCUIT MOTOR	RT7000K	1	SA



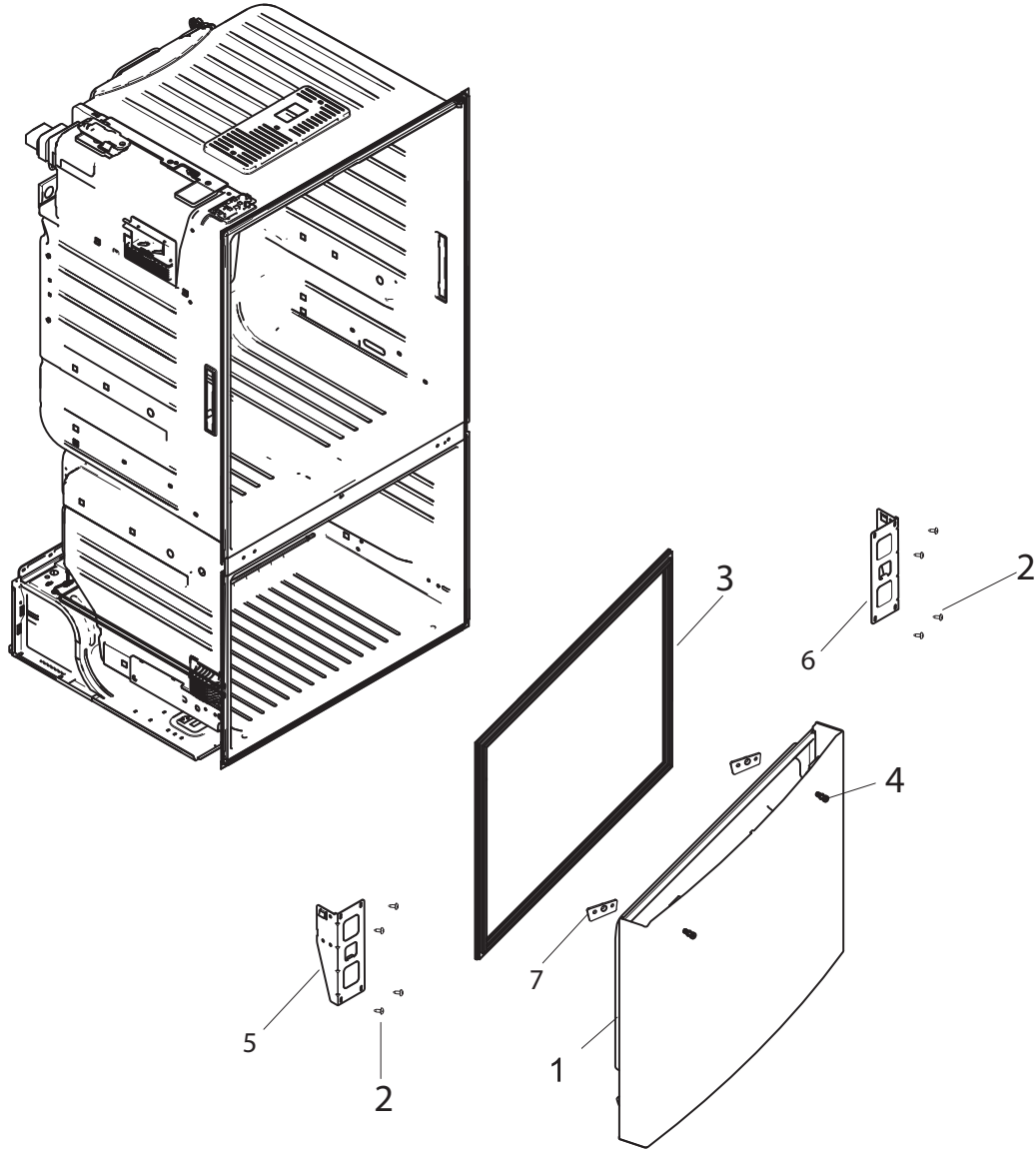
## EXPLODED VIEW

## 3. CABINET

No.	MATERIAL CODE	PART NAME	SPECIFICATION	QTY	STATUS
10	DA61-04712C	FIXER-HOSE	AW,ABS,-,-,-, LIGHT GRAY,-,-	1	SA
11	DA73-00211A	RUBBER-CAP HOSE	i4-PJT,SILICON,GRAY	1	SA
12	NC1MV72ASR/S	COMPRESSOR	CMP,COMP,REFRIGERATOR,R-134A	1	-
13	DA62-00160C	PIPE-WATER LINE OUT	AD,TPE,OD13.5,WHITE,	1	SA
14	DA62-03601B	PIPE-CONNECT SUCTION	SSEDA,C1220T-0,ID5.	1	SA
14-1	DA63-40171D	GROMMET-SUCT PIPE B	RAIL L20,NBR,-,ID5.5	2	SA
15	DA97-13256A	ASSY COVER COMP	IBACI,GI-SGCC	1	SA
16	DA97-13217A	ASSY COVER PCB PANEL	IBACI,T0.6,ASSY	1	SA
17	6002-000213	SCREW-TAPPING	TH,+1,M4,L12,ZPC(WHT),SWR	3	SNA
18	DA92-00768J	ASSY PCB INVERTER	INVERTER,Ibaci,197*98.	1	SA
19	DA92-00426G	ASSY PCB MAIN	LED TOUCH,IBACI,210*197,11	1	SA
20	3903-000796	CBF-POWER CORD	AT,U.S.A,CANADA,US3F-1,3C	1	SA
21	DA97-04049R	ASSY CAP DRAIN	OPUS,GROMMET DRAIN HOSE W	1	SNA
21-1	DA62-01266E	TUBE PVC	AW3,SF-PVC,T0.7,L185,GRAY	1	SA
21-2	DA63-00951C	GROMMET-DRAIN HOSE	V2-PJT,NBR,BLACK	1	SA
22	DA27-00019M	COIL FILTER	-,20mH,-,82*60,-,-,-,-,-	1	SA
23	DA62-00314C	PIPE-CONNECT	MAX-PJT,C1220T-0,-,OD6.35,L	1	SA
24	DA62-04309B	DRYER	Cu,137,SINGLE MOUTH,9g	1	SA
25	DA97-13268A	ASSY VALVE WATER-HOSE	IBACI,IBACI,110~12	1	SA
25-1	DA62-01477A	VALVE WATER	AC110~127V,-,1WAY,#187,1,1,N	1	SA
25-2	DA74-00070B	VALVE-FITTING NUT	A-TOP,CU,12,C3604 BD-F	1	SA
26	6002-000217	SCREW-TAPPING	TH,+NO,1,M4,L8,ZPC(WHT),S	3	SNA
27	DA97-00209T	ASSY-PIPE WATER FRE	AW2 CD	1	SA
27-1	DA71-20208A	FIXER-VALVE WATER B	SR-S7180,PA6,-,BLUE	1	SNA
28	6006-001170	SCREW-TAPPING	TH,+WT,2,M4,L10,ZPC(WHT),	6	SNA
29	DA39-20389L	ASSY WIRE HARNESS-EARTH	ALL,FREE VOLT,UL	1	SA
30	DA63-04598B	COVER-URETHANE	SSEDA/AW-PJT,ABS,-,-,-,-,	1	SA
31	DA64-02631A	TRIM-BLADE	AW2,PVC,NATURAL	1	SA
33	DA60-00281A	FITTING LOKRING	SUM23,St 56	1	SNA
34	DA60-00280A	FITTING-LOKRING 33	SUM23,33	1	SNA
35	DA63-40171B	GROMMET-SUCT PIPE A	NBR,-,ID4,OD20	1	SNA
37	DA63-06389E	COVER LEG-FRONT LEFT	AW4-4D,PP,INOX GRAY	1	SA
38	DA63-06405D	COVER LEG-FRONT RIGHT	AW4-4D,PP,INOX GRA	1	SA
39	DA62-00305A	VALVE-FITTING PU	BEST-BUY,(C3604BD-F)+BN	1	SA
40	DA74-00070B	VALVE-FITTING NUT	A-TOP,CU,12,C3604 BD-F	1	SA

# 4. Freeze Door

## Exploded View



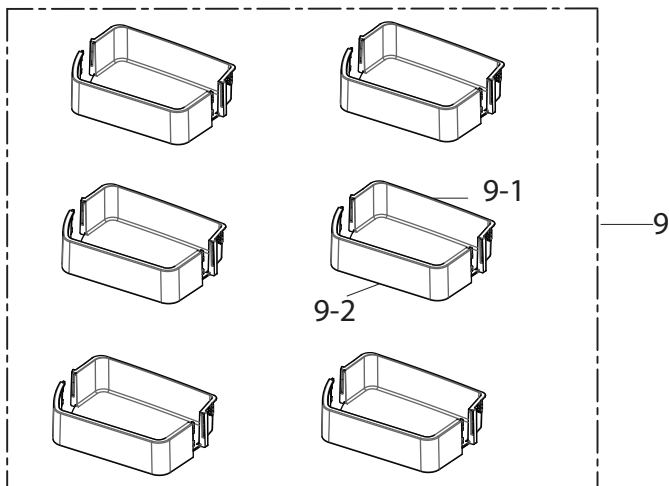
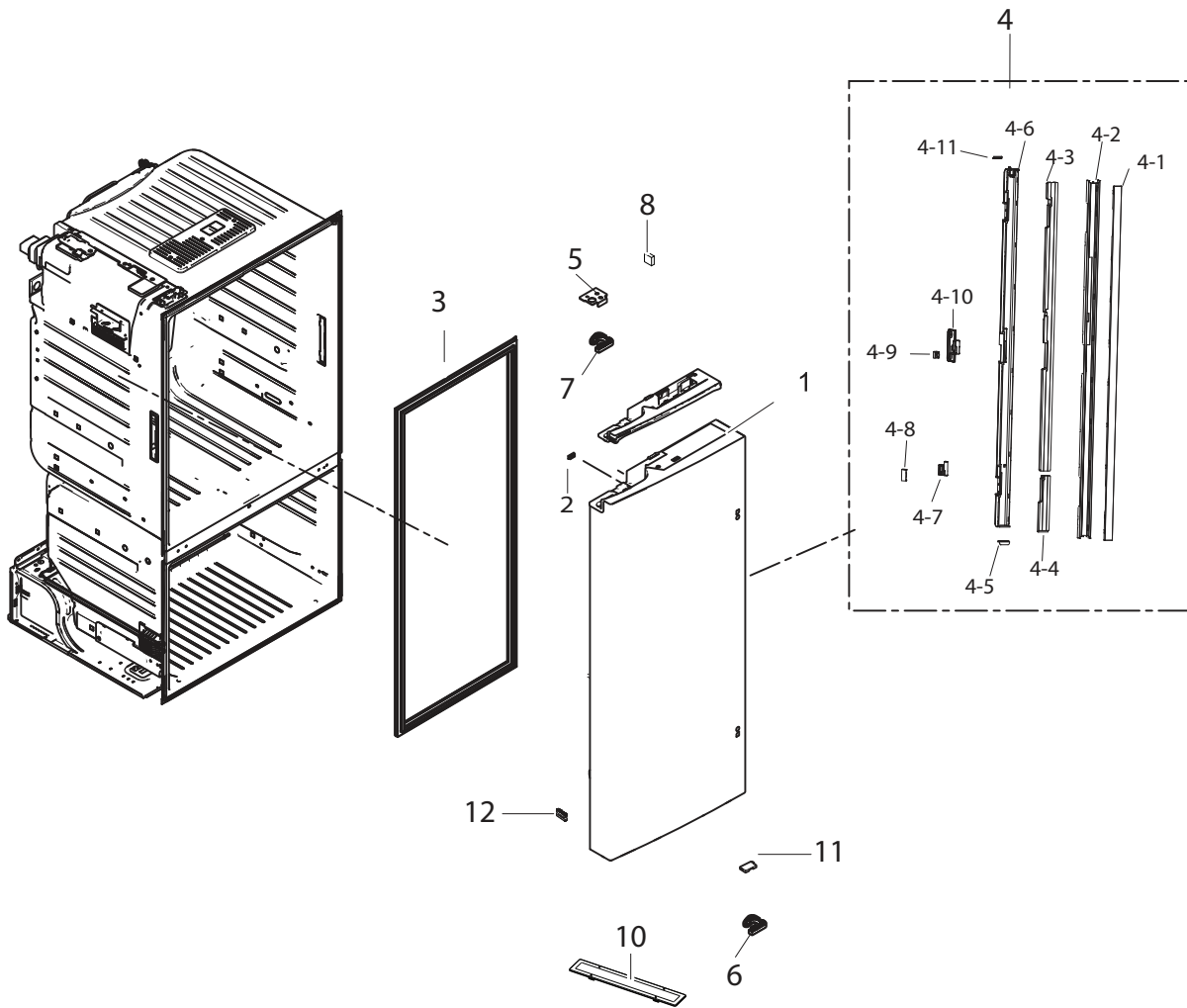
## EXPLODED VIEW

### 4. DOOR FRE

No.	MATERIAL CODE	PART NAME	SPECIFICATION	QTY	STATUS
1	DA91-03900A	ASSY DOOR FOAM-FRE	IBACI_PJT	1	SA
2	6002-000613	SCREW-TAPPING	TH,+,-,2,M5,L16,ZPC(WHT),S	8	SNA
3	DA97-12522L	ASSY-GASKET DOOR FRE	IBACI,GRAY	1	SA
4	DA61-11161A	FIXER HANDLE	AW3-14,SWRCH10A,M8	2	SA
5	DA61-04840A	HANGER-RAIL FRONT L	AW-PJT,EGI-SECC,T2.0	1	SA
6	DA61-04841A	HANGER-RAIL FRONT R	AW-PJT,SECC1,-,COOL	1	SA
7	DA61-06658A	REINF-CAP HANDLE	AW3,HGI-SGHC,T1.6	1	SA

# 5. Fridge Door Left

## Exploded View



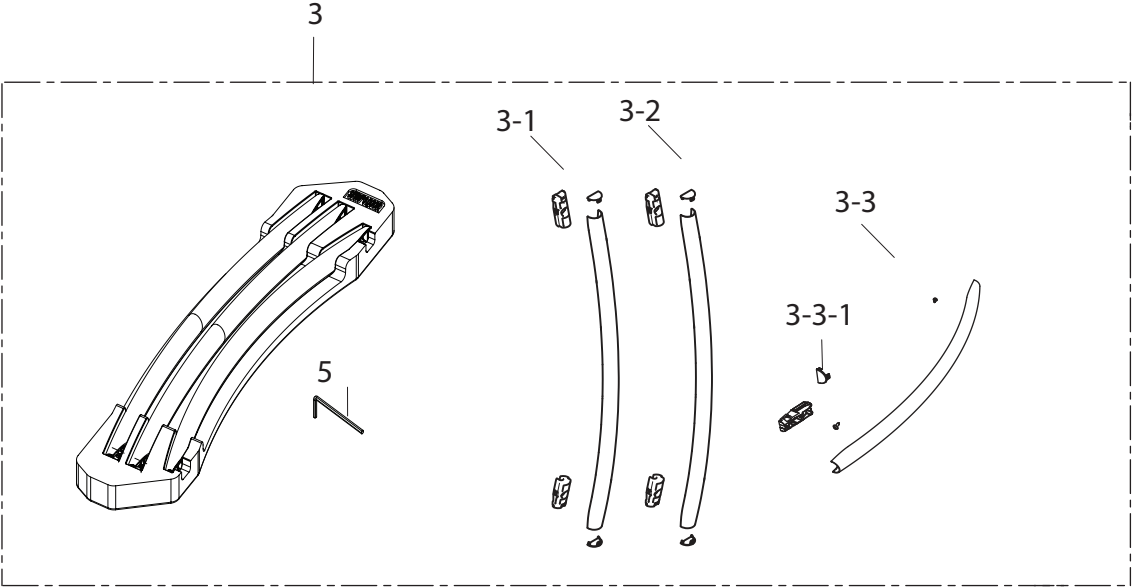
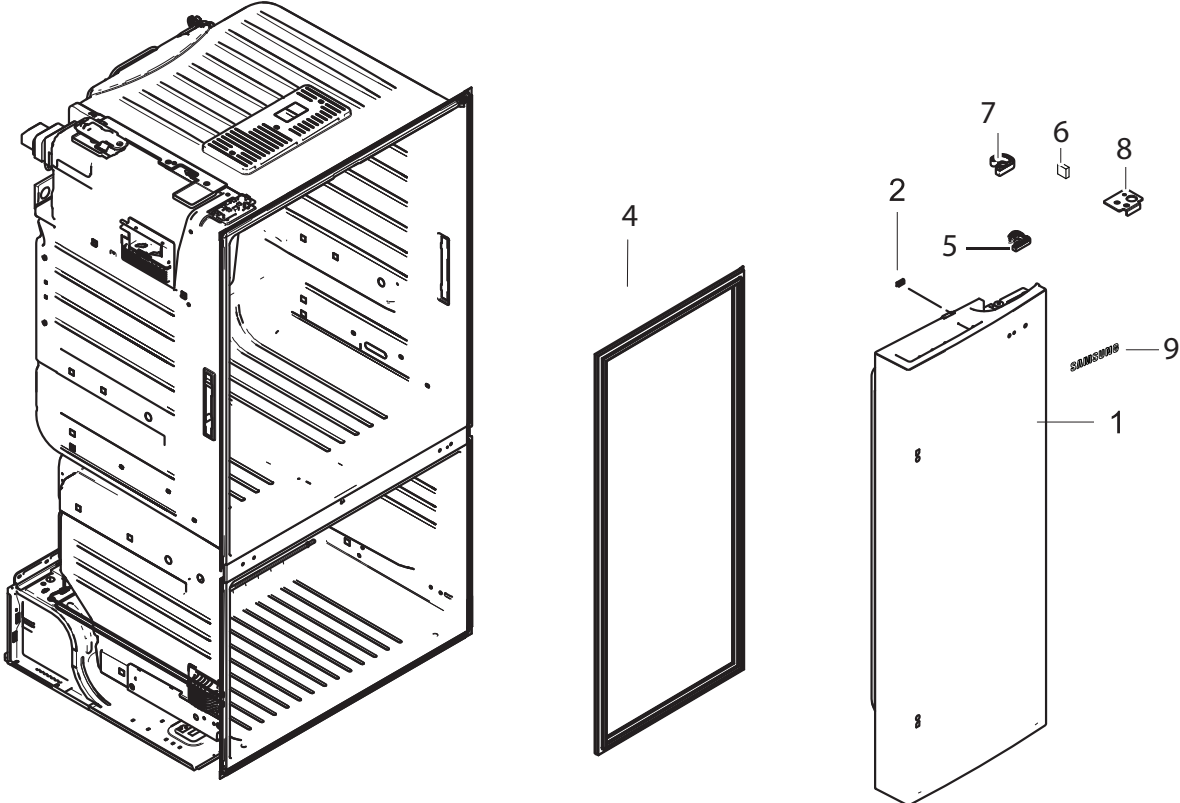
## EXPLODED VIEW

## 5. DOOR REF LEFT

No.	MATERIAL CODE	PART NAME	SPECIFICATION	QTY	STATUS
1	DA91-03898A	ASSY DOOR FOAM-REF L	IBACI_PJT	1	SA
2	DA61-03769A	MAGNET-A	HERMES,FERRITE,1600Gauss	1	SA
3	DA97-05253Y	ASSY-GASKET DOOR REF	IBACI,GRAY	1	SA
4	DA97-12947A	ASSY-FRENCH	IBACI,THAI-SILVER	1	SA
4-1	DA61-08676A	PLATE-FRENCH	IBACI,EGI-SECC,T0.6,THAI SI	1	SNA
4-2	DA61-08669A	CASE-FRENCH FRONT	IBACI,ABS,-,-,-,COOL W	1	SNA
4-3	DA62-03834A	INSULATION-FRENCH	IBACI,PS FOAM,NTR,SF-4	1	SNA
4-4	DA62-03835A	INSULATION-FRENCH LOW	IBACI,PS FOAM,NTR,	1	SNA
4-5	DA63-06842B	GASKET-FRENCH LOW	AW-PJT,SI,GRAY	1	SA
4-6	DA61-08668A	CASE-FRENCH	IBACI,ABS,-,-,-,COOL WHITE(S	1	SNA
4-7	DA61-08305A	HINGE-FRENCH	AW4,PC,COOL WHITE	2	SA
4-8	DA67-02146A	CAP-CASE FRENCH	AW-PJT,ABS,COOL WHITE,AB	2	SA
4-9	DA67-02154A	CAP-CASE FRENCH MID	AW-PJT,ABS,COOL WHIT	1	SA
4-10	DA63-04645A	COVER-HEATER FRENCH	AW-PJT,PC,-,-,-,-,-,	1	SNA
4-11	DA63-06959A	GASKET-FRENCH UPP	AW4,SI,GRAY	1	SNA
5	DA61-08210A	STOPPER-DOOR L	AW4,PO-SPHC,T2.9,BLACK	1	SA
6	DA61-05001C	SUPPORT-DOOR CLOSE	AW-SEM,POM,HB,500P,NA	1	SA
7	DA97-13070A	ASSY LEVER-AUTO CLOSE	AW1-12,POM,BLACK	1	SA
8	DA63-40294A	GROMMET-STOPPER	T3XW8XL8,NR,-,-,-,-,-,	1	SA
9	DA97-12935A	ASSY GUARD-REF	IBACI,FDR	6	SA
9-1	DA63-07206A	GUARD REF	IBACI,HIPS,COOL WHITE	1	SNA
9-2	DA63-07208A	COVER-GUARD REF	IBACI,GPPS,NTR,G116HV	1	SNA
10	DA63-06131B	COVER-CAP DOOR LED	AW-PJT,GPPS,T2,TP BLU	1	SA
11	DA41-00676J	ASSY LAMP LED	2,FR-4,20*30,WHITE,SMAW250	1	SA
12	DA63-04825A	GROMMET-CHASSIS UP	SRT749,SI,T5.0,W20.0,	1	SA

# 6. Fridge Door Right

## Exploded View



## EXPLODED VIEW

## 6. DOOR REF RIGHT

No.	MATERIAL CODE	PART NAME	SPECIFICATION	QTY	STATUS
1	DA91-03897A	ASSY DOOR FOAM-REF R	IBACI_PJT	1	SA
2	DA61-03769A	MAGNET-A	HERMES,FERRITE,1600Gauss	1	SA
3	DA99-04145C	ASSY HANDLE-KIT	IBACI-FDR,-,-,-,-,-,VE	1	SA
3-1	DA97-12715C	ASSY HANDLE BAR-REF L	AW4,AL(A6063),Vers	1	SA
3-2	DA97-12714C	ASSY HANDLE BAR-REF R	AW4,AL(A6063),Vers	1	SNA
3-3	DA97-13074C	ASSY HANDLE BAR-FRE	IBACI,AL(A6063),Vers	1	SA
3-3-1	DA67-02633A	CAP-HANDLE FRE	NW2_FDR,ABS,NTR,NI-CR Pla	2	SA
4	DA97-05253Y	ASSY-GASKET DOOR REF	IBACI,GRAY	1	SA
5	DA97-13070A	ASSY LEVER-AUTO CLOSE	AW1-12,POM,BLACK	1	SA
6	DA63-40294A	GROMMET-STOPPER	T3XW8XL8,NR,-,-,-,-,-,	1	SA
7	DA61-05001C	SUPPORT-DOOR CLOSE	AW-SEM,POM,HB,500P,NA	1	SA
8	DA61-08196A	STOPPER-DOOR R	AW4,PO-SPHC,T2.9,BLACK,T2	1	SA
9	DA64-04021A	MASCOT	ALL,Ni,T0.06,L90	1	SA